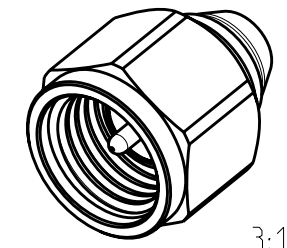
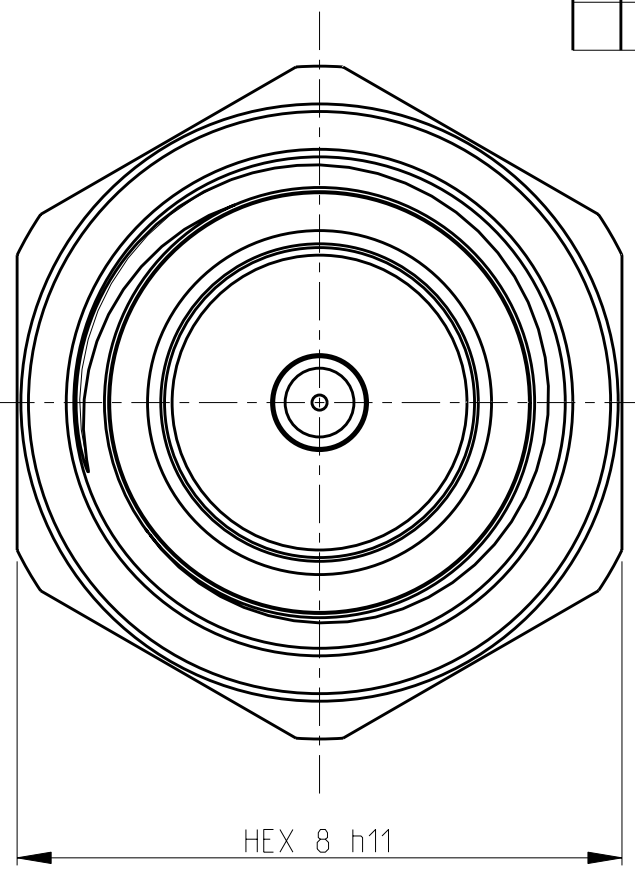
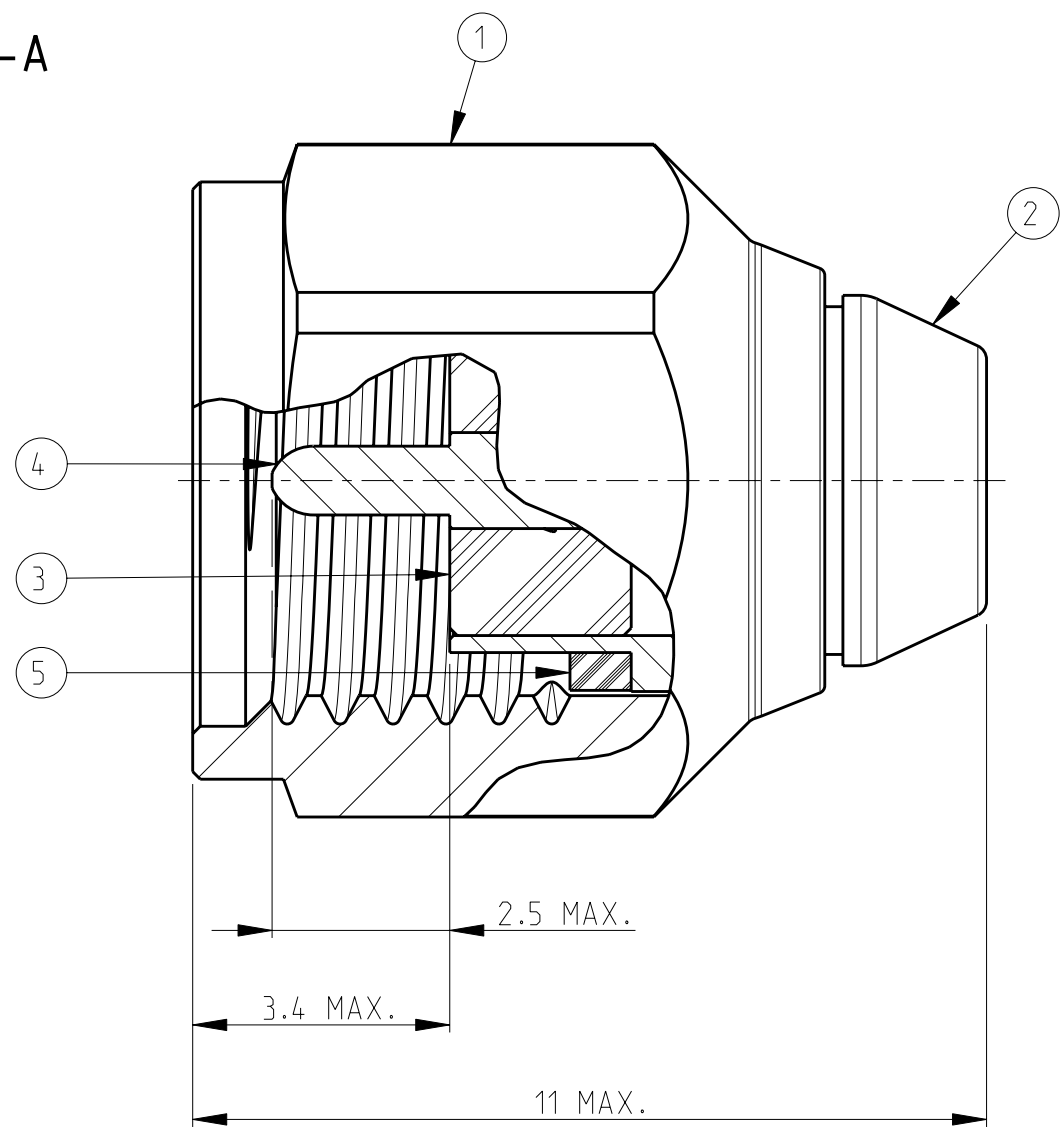


THIS DRAWING IS UNPUBLISHED. RELEASED FOR PUBLICATION 2005  
 © COPYRIGHT 2005 BY TYCO ELECTRONICS CORPORATION. ALL RIGHTS RESERVED.

LOC	DIST	REVISIONS					
IS	-	P	LTR	DESCRIPTION	DATE	DWN	APVD
			A	Released to production	23JAN2006	RLU	DB
			B	Add. 50 Ohm ident mark, changed packaging Q.ty	17FEB2006	RLU	DB
			C	Updated min. Au thickness (note 4 was 0.2µm)	15MAR07	AN	DB
			D	Obsolete PN	24JUL2008	MS	DB

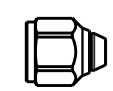
A-A



5-1460802-1 3	1460802-1 2	5	1	GASKET	SILICONE	
		4	1	CENTER CONDUCTOR	Brass	min. 0.1µm Au over min 2µm NiP
		3	1	DIELECTRIC	PTFE	
		2	1	Outer contact	Brass	min. 0.1µm Au over min 2µm NiP
		1	1	COUPLING NUT	Brass	min. 0.1µm Au over min 2µm NiP
PART NR	PART NR	ITEM NR	PIECES	DESCRIPTION	MATERIAL	PLATING

1 - COAX CONNECTOR COMPLIES WITH SPEC. CECC 22110, IEC 169-15

- 2 ONE PLUG PACKED IN PLASTIC BAG
- 3 BULK PACKAGING.
- 4 General Tolerances according to DIN ISO 2768-mH



1:1

THIS DRAWING IS A CONTROLLED DOCUMENT FOR TYCO ELECTRONICS CORPORATION. IT IS SUBJECT TO CHANGE AND THE CONTROLLING ENGINEERING ORGANIZATION SHOULD BE CONTACTED FOR THE LATEST REVISION.

DWN R. Luppì	28JAN2005	Tyco Electronics Switzerland - Lugano	NAME <b>SMA, PLUG TERMINATOR</b> CHARACTERISTIC IMPEDENCE 50 Ohm
CHK D. Bozzer	28JAN2005		
APVD -	-	PRODUCT SPEC 108-71066	RESTRICTED TO
DIMENSIONS: mm		TOLERANCES UNLESS OTHERWISE SPECIFIED:	
		0 PLC ± 1 PLC ± 2 PLC ± 3 PLC ± 4 PLC ± ANGLES ±°	4
MATERIAL -	FINISH -	WEIGHT 2.4 gr	SIZE A3
CUSTOMER DRAWING		CAGE CODE 00779	DRAWING NO C-1460802
SCALE 10:1		SHEET 1	OF 1
		REV D	