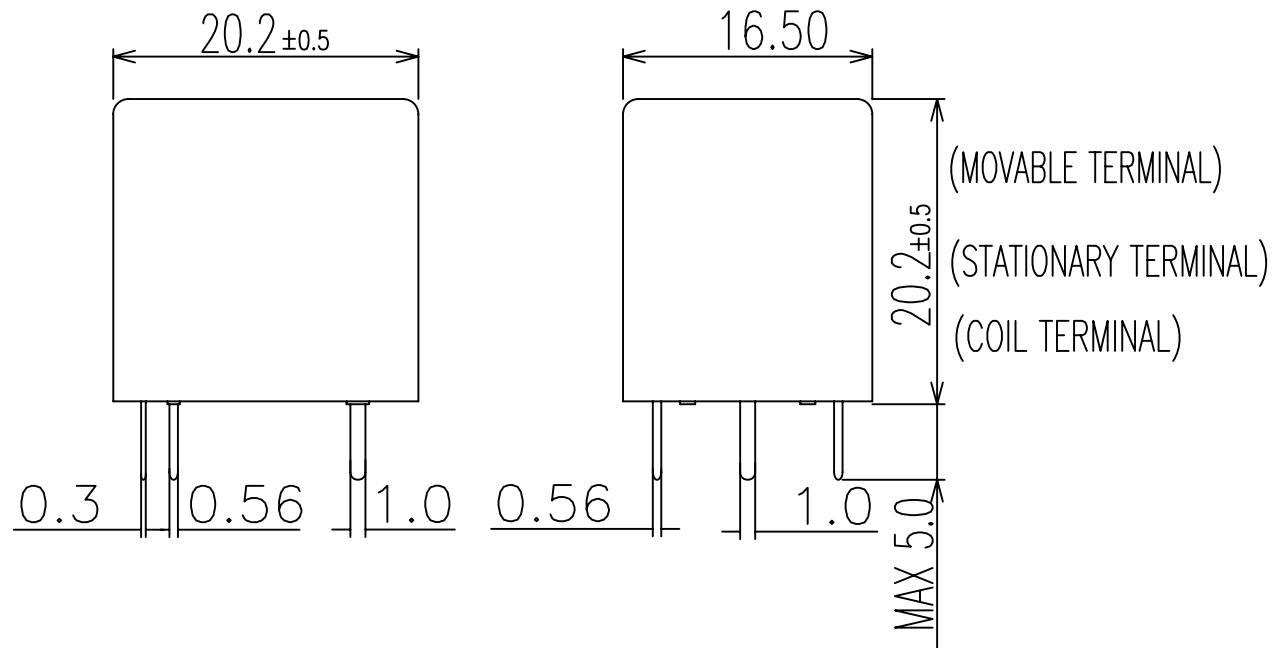


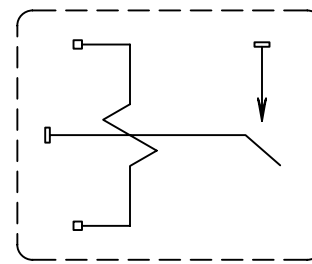
THIS DRAWING IS UNPUBLISHED. RELEASED FOR PUBLICATION
 © COPYRIGHT BY TYCO ELECTRONICS CORPORATION. ALL RIGHTS RESERVED.

LOC	HB	DIST	REVISIONS						
			P	LTR	DESCRIPTION	ECN	DATE	DWN	APVD
				0	RELEASE		30-OCT-01	H.S	A.N
				01	ADD TYPE	FK00-0203-04	10-NOV-04	Y.X	A.N
				A	CHANGE TE LOGO	ECO-08-020484	23-OCT-08	Z,Z	BH,Y



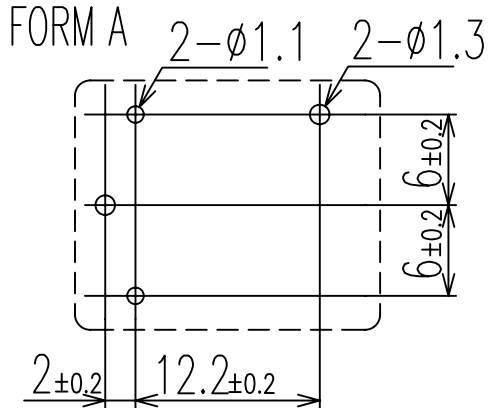
CONNECTION DIAGRAM(BOTTOM VIEW)

1 FORM A

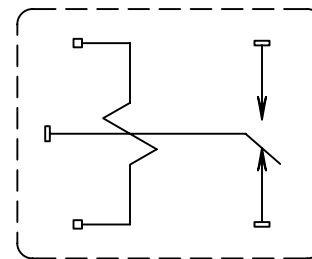


DRILLING DIAGRAM(BOTTOM VIEW)

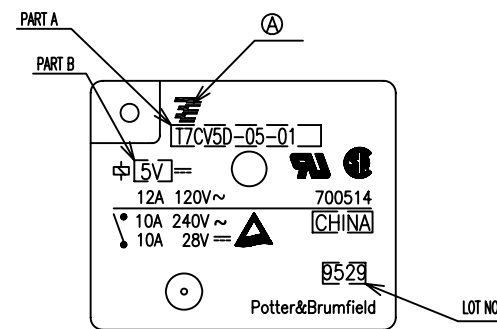
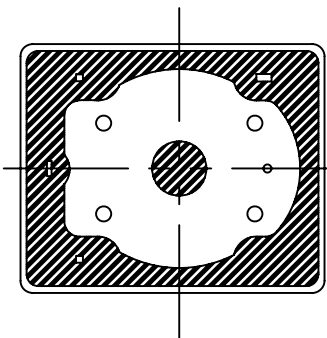
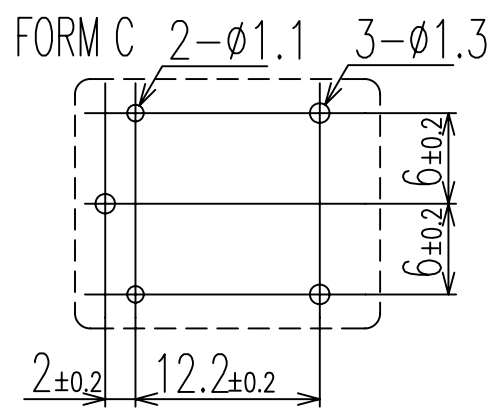
1 FORM A



1 FORM C



1 FORM C



GENERAL TOLERANCE

Max. 1mm	±0.1
1mm.7X.73mm	±0.2
Min. 3mm	±0.3

01
01

24V	T7CS5D-24-03	1461349-4	T7CS5D-24-03	d
5V	T7CV5D-05-01	1461349-3	T7CV5D-05-01	c
24V	T7CS1D-24B	1461349-2	T7CS1D-24B	b
24V	T7CV5D-24B	1461349-1	T7CV5D-24B	a
PART B	PART A	TE PART NO	TE TYPE NO	TYPE

THIS DRAWING IS A CONTROLLED DOCUMENT FOR TYCO ELECTRONICS CORPORATION
 IT IS SUBJECT TO CHANGE AND THE CONTROLLING ENGINEERING ORGANIZATION
 SHOULD BE CONTACTED FOR THE LATEST REVISION.

DIMENSIONS:	TOLERANCES UNLESS OTHERWISE SPECIFIED:
mm	
	0 PLC ±
	1 PLC ±
	2 PLC ±
	3 PLC ±
	4 PLC ±
	ANGLES ±
MATERIAL	FINISH

DWN	K.Ishikawa
CHK	Y.Teizuka
APVD	K.Nara
PRODUCT SPEC	
APPLICATION SPEC	
WEIGHT	
CUSTOMER DRAWING	

Tyco Electronics Corporation Shenzhen, China	
NAME	
T7C CUSTOMER DRAWING	
SIZE	A3
CAGE CODE	00779
DRAWING NO	1461349
RESTRICTED TO	
SCALE	2:1
SHEET	1 OF 1
REV	A