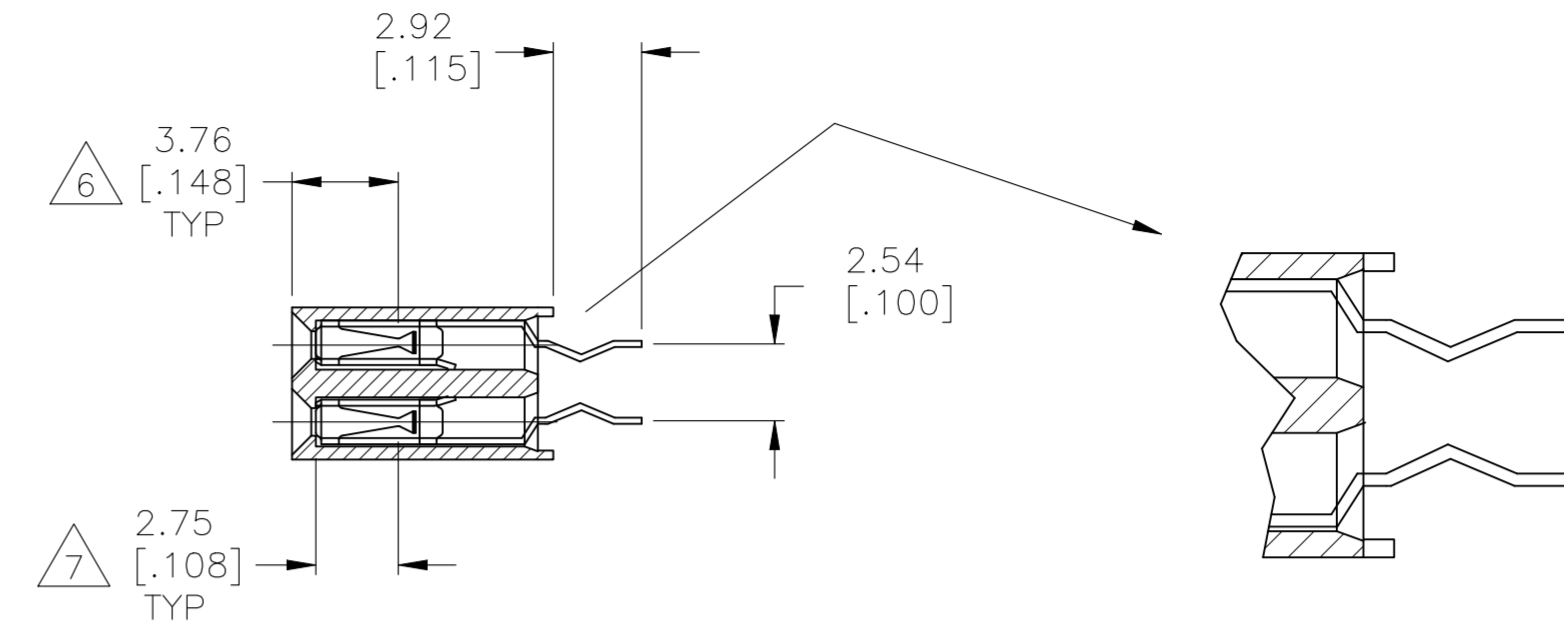
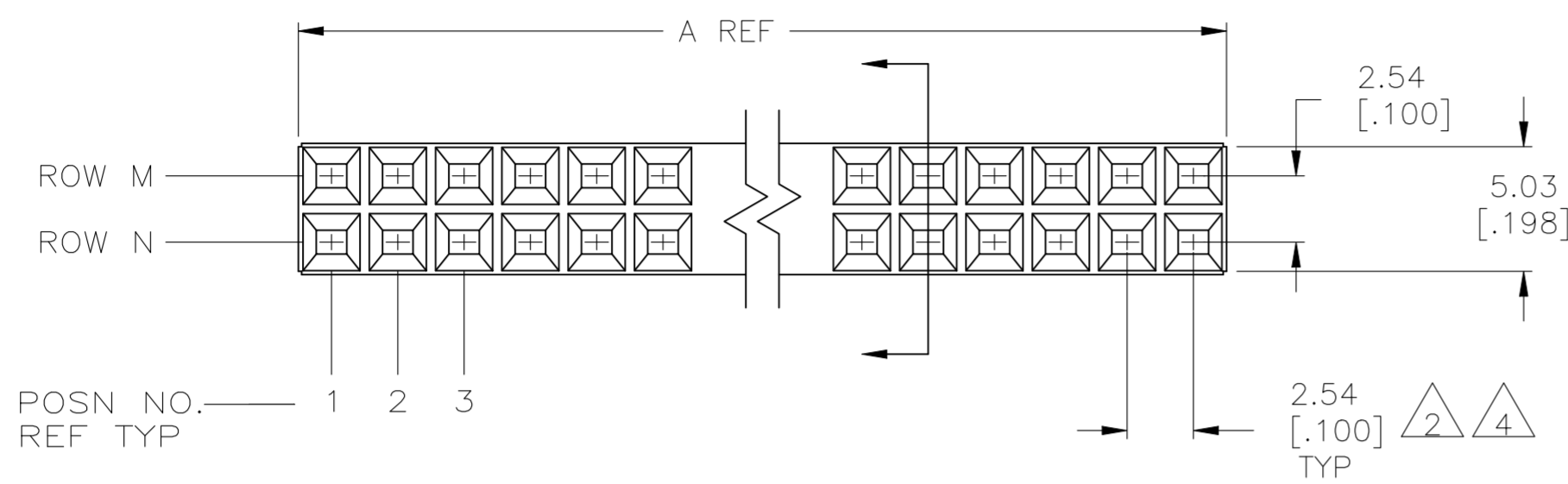
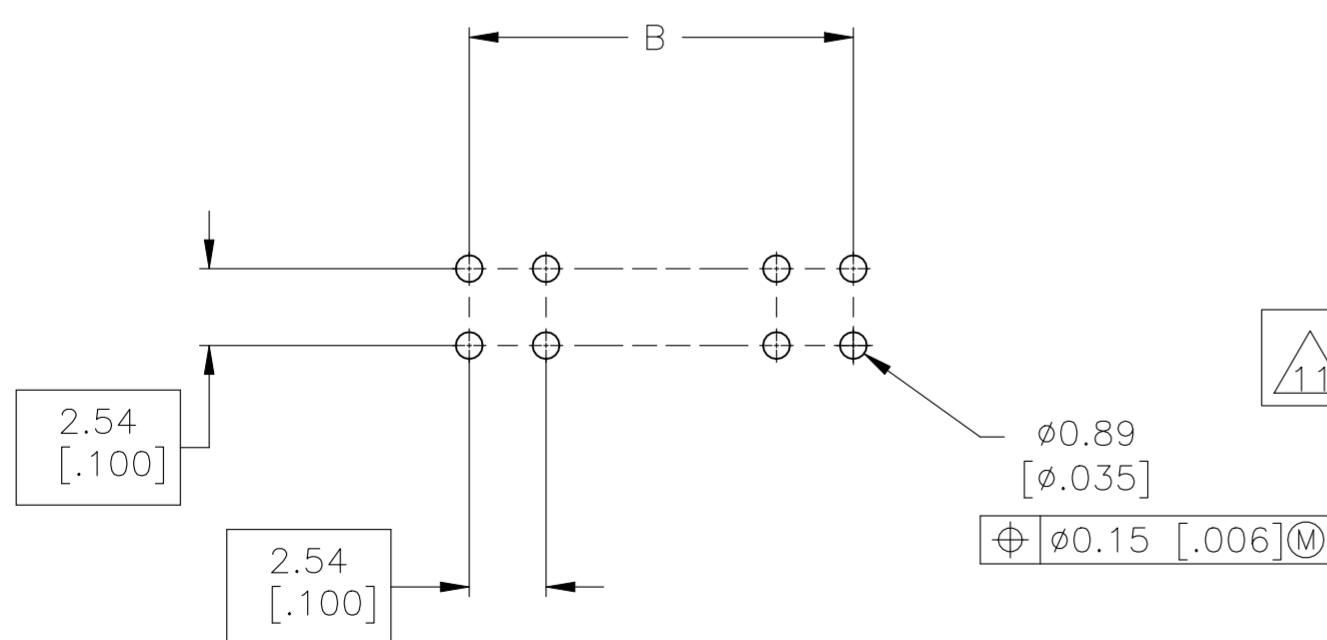
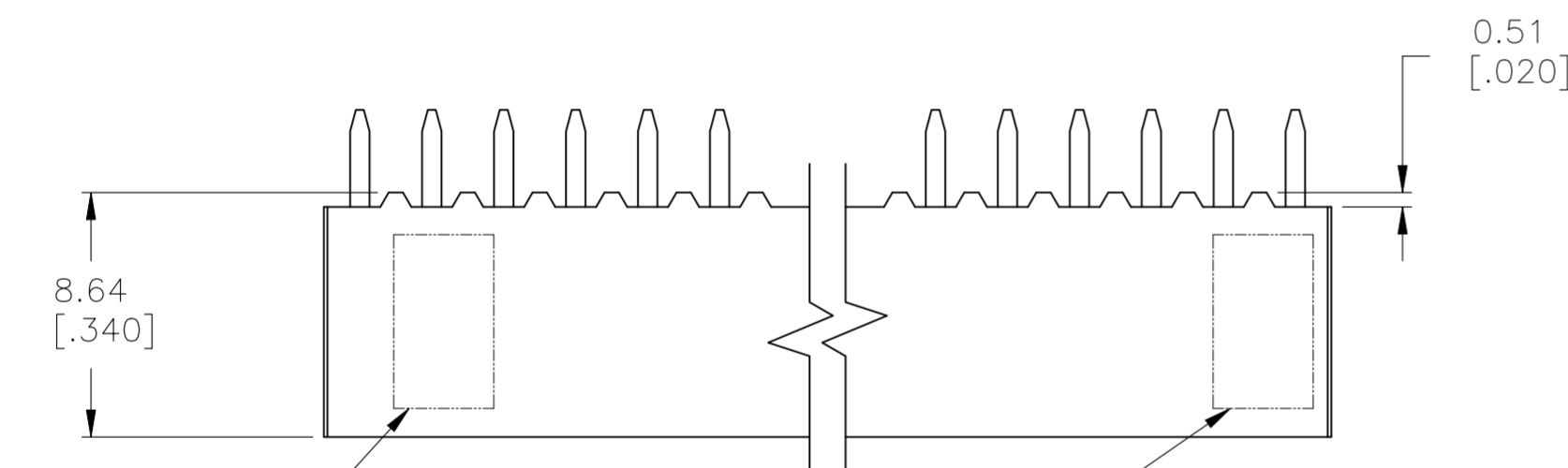


REVISIONS					
P	LTR	DESCRIPTION	DATE	DWN	APVD
F		RESIN SUPPLIER CHANGE FOR THE HOUSING	02DEC2021	SCB	KJK



BOARD RETENTION FEATURE



- TE LOGO AND CSA LOGO ARE MOLDED INTO HOUSING.
- TOLERANCE NON-CUMULATIVE
- DUPLEX PLATED: 0.000762[.000030] GOLD IN CONTACT AREA, 0.00381-0.00762[.000150-.000300] BRIGHT TIN-LEAD ON TINES, ALL OVER 0.00127[.000050] MIN NICKEL
- THESE DIMENSIONS PERTAIN TO CAVITY CENTERLINES ONLY, NOT TO CONTACT LOCATIONS.
- HOUSING: GLASS FILLED, FLAME RETARDANT POLYESTER; COLOR-BLACK CONTACT: PHOSPHOR BRONZE
- POINT OF CONTACT MEASUREMENT.
- POINT OF MEASUREMENT FOR PLATING THICKNESS. (INCLUDES CONTACT BEAM)
- PART NUMBER AND DATE CODE ARE MARKED IN APPROXIMATE LOCATION SHOWN.
- DUPLEX PLATED: 0.000762[.000030] GOLD IN CONTACT AREA, 0.00381-0.00762[.000150-.000300] MATTE TIN, ALL OVER 1.27 [0.000050] MIN NICKEL
- ROHS 2002 /95/EC COMPLIANT.
- OBSOLETE PARTS: OBSOLETE CIS STREAMLINING PER D.RENAUD/D.SINISI

△11 OBSOLETE	△9	1,2,13,14	1,2,13,14	NONE	3	35.56 [1.400]	33.02 [1.300]	28	△10 5-146148-1
	△3	1,2,13,14	1,2,13,14	NONE	3	35.56 [1.400]	33.02 [1.300]	28	146148-1
FINISH		ROW M	ROW N	ROW M	ROW N	A	B	NO OF POSN	PART NUMBER
		KINK POSN NO		POSITION OMITTED					

THIS DRAWING IS A CONTROLLED DOCUMENT.		DWN	J KNAUB	8-6-94	TE Connectivity RECPT. ASSY., MOD II, .100 X .100 , S.P.O.C.,
DIMENSIONS: mm [INCHES]		CHK	A GABANY	8-8-94	
TOLERANCES UNLESS OTHERWISE SPECIFIED:		APVD	A GABANY	8-8-94	
0 PLC ± - 1 PLC ± - 2 PLC ± - 3 PLC ± - 4 PLC ± - ANGLES ± -		PRODUCT SPEC			
MATERIAL	△5	FINISH	△9	WEIGHT	-
CUSTOMER DRAWING		SCALE	4:1	SHEET	1 OF 1
		SIZE	A2	CAGE CODE	00779
		DRAWING NO	C=146148		RESTRICTED TO
		REV	F		