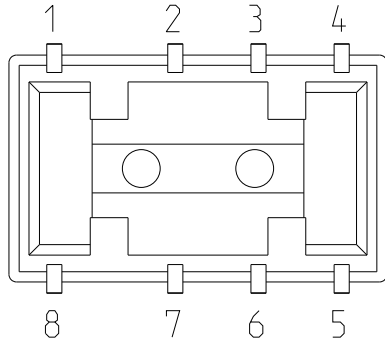
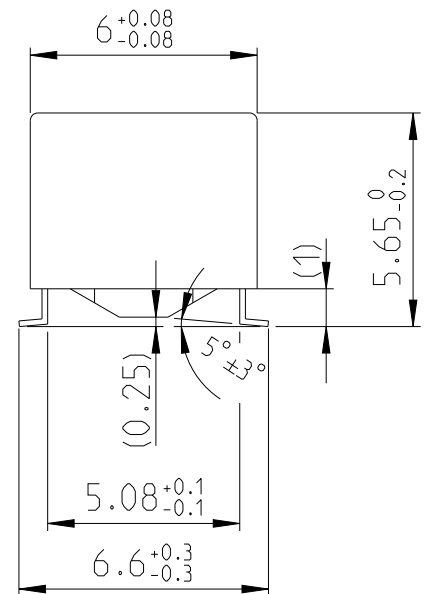
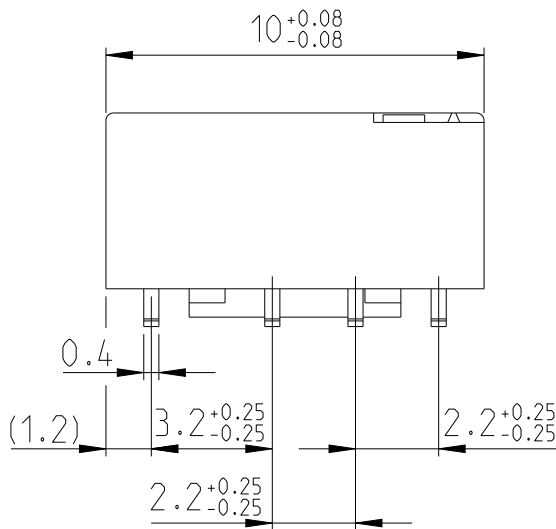


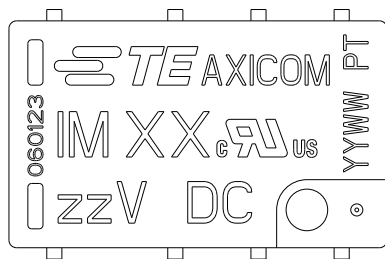
LOC	DIST	REVISIONS					
		P	LTR	DESCRIPTION	DATE	DWN	APVD
PT	-		A	ECR-23-171587 (Initial release)	06APR2023	LS	MR



Relay - bottom view



Coplanarity < 0.10mm



XX = Relay type  
 zz = nominal voltage  
 YYWW = Date code

2000

RELEASED FOR PUBLICATION

ALL RIGHTS RESERVED.

THIS DRAWING IS UNPUBLISHED.

© COPYRIGHT 2000

DIMENSIONS: mm		DWN Sobral, Luis	06APR2023	MATERIAL	-	FINISH	-
TOLERANCES UNLESS OTHERWISE SPECIFIED: DIN 7168-m		CHK Rieder, Mario	06APR2023	TE Connectivity			
		APVD Rieder, Mario	06APR2023				
0 PLC ±		PRODUCT SPEC		NAME			
1 PLC ±		-		IM-Relay SMT Short Gull Wings			
2 PLC ±		APPLICATION SPEC		Dimensions			
3 PLC ±		-		SIZE	CAGE CODE	DRAWING NO	RESTRICTED TO
4 PLC ±		-		A 4	00779	©=1462037-0	-
ANGLES ±		WEIGHT		CUSTOMER DRAWING			
-		-		SCALE	SHEET	OF	REV
-		-		5:1	1	1	A