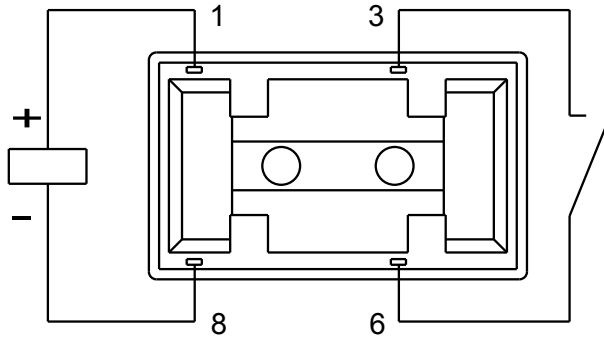
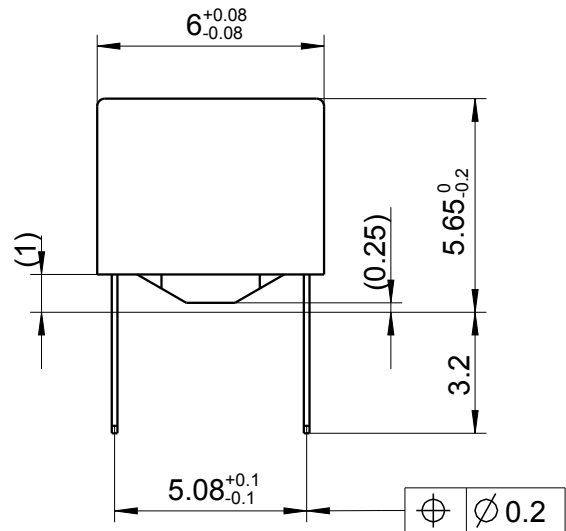
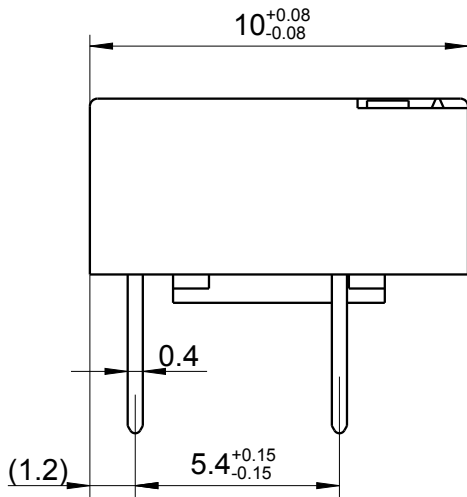


LOC	DIST	REVISIONS					
		P	LTR	DESCRIPTION	DATE	DWN	APVD
HJ	-		A2	REVISED PER ECO-11-005150	25MAR2011	RK	HMR
			A3	UR-marking new	09DEC2011	UKo	AK
			A4	REVISED PER ECR-13-014508 (TE-Logo)	16SEP2013	UKo	AK



Relay - bottom view



XX = Relay type
 zz = nominal voltage
 YYWW = Date code

THIS DRAWING IS UNPUBLISHED. ALL RIGHTS RESERVED. © COPYRIGHT 2008

DIMENSIONS: mm	DWN	18JUN2008	MATERIAL	FINISH				
	UKo 9193		-	-				
TOLERANCES UNLESS OTHERWISE SPECIFIED: DIN 7168-m	CHK	18JUN2008	TE Connectivity					
	HD 9121							
0 PLC ± 1 PLC ± 2 PLC ± 3 PLC ± 4 PLC ± ANGLES ±	APVD	18JUN2008	NAME IMB-Relay THT (1 Form A) Dimensions					
	HD 9121							
	PRODUCT SPEC	-	SIZE	CAGE CODE	DRAWING NO	RESTRICTED TO		
	APPLICATION SPEC	-	A4	00779	C-1462041-1	-		
	WEIGHT	-	CUSTOMER DRAWING		SCALE	SHEET	OF	REV
					5:1	1	1	A4