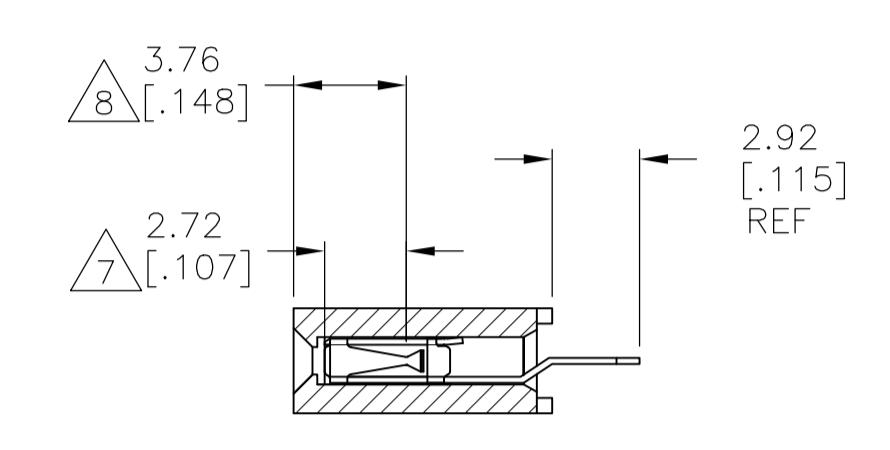
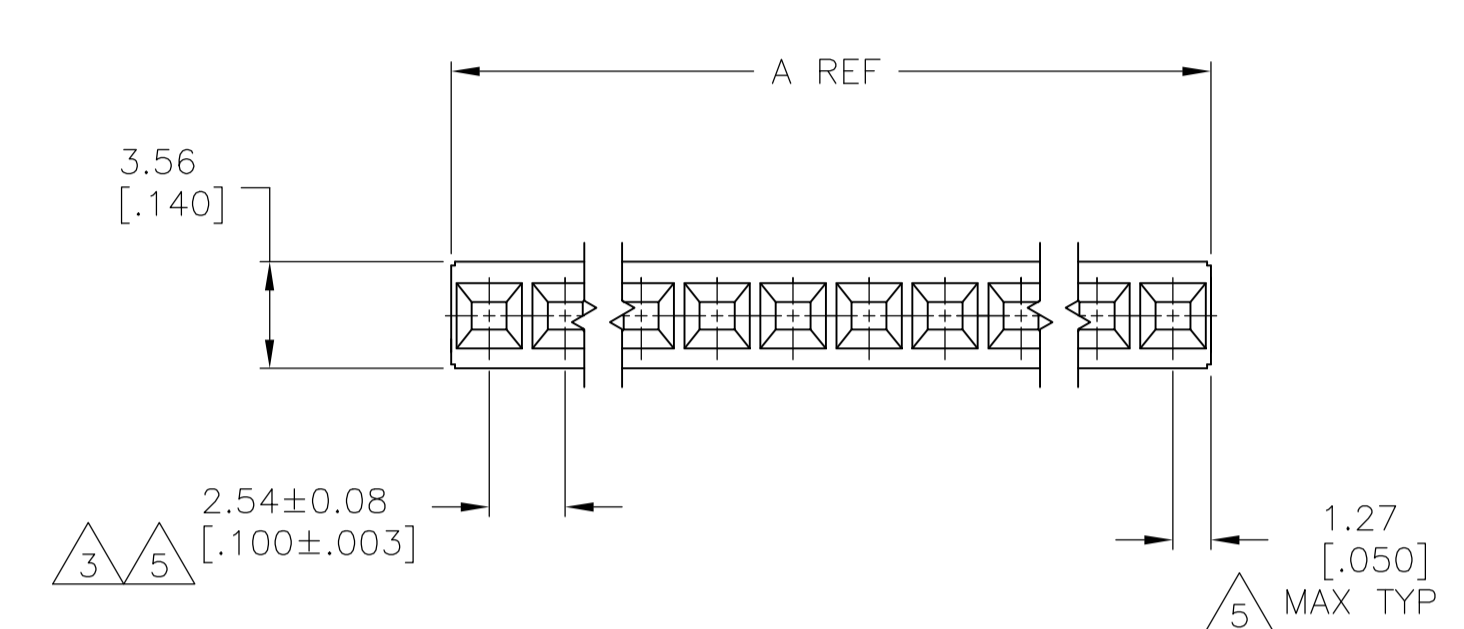
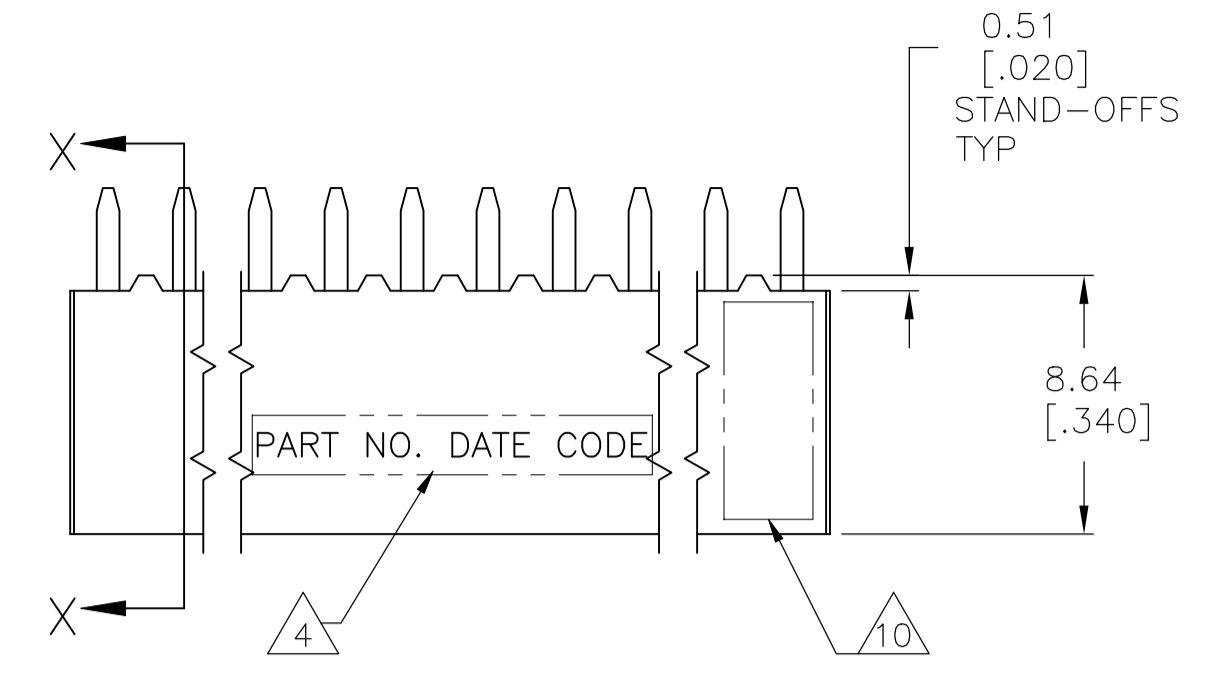
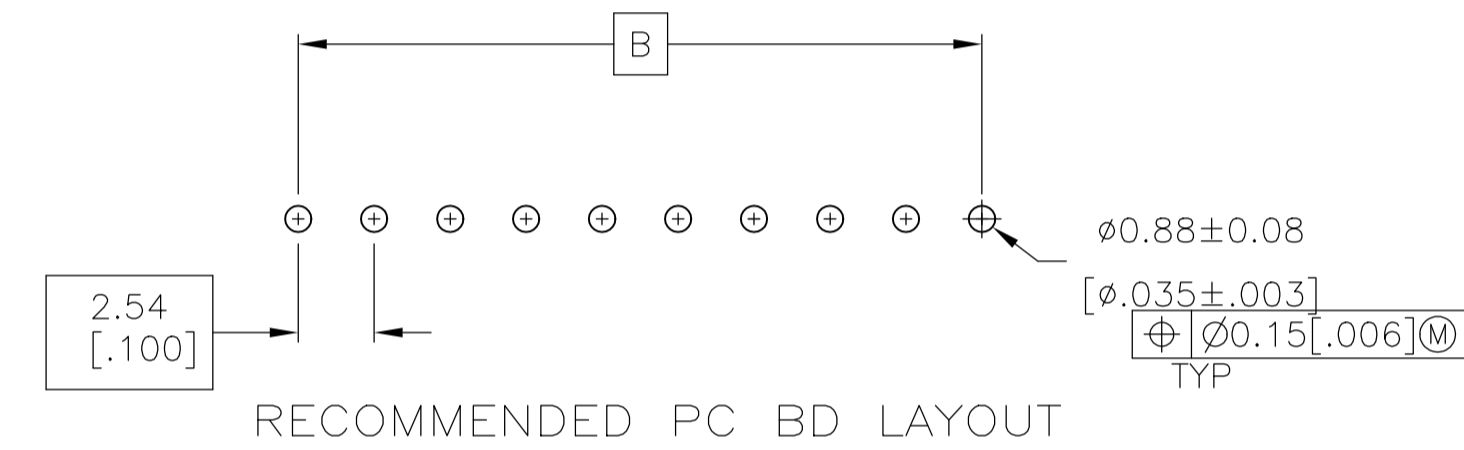


REVISIONS				
REV	DATE	BY	CHK	APPV
K6	12JAN2018	SD	PS	



SECTION X-X



- 1 HOUSING: FLAME RETARDANT, GLASS FILLED, POLYESTER, COLOR: BLACK. CONTACT: PHOSPHOR BRONZE
- 2 CONTACT: DUPLEX PLATED 0.25µm[.000010] MIN GOLD IN CONTACT AREA, 3.81-7.62µm[.000150-.000300] BRIGHT TIN-LEAD ON LEADS ALL OVER 1.27µm[.000050] MIN NICKEL
- 3 THESE DIMENSIONS PERTAIN TO CAVITY CENTERLINES ONLY - NOT TO CONTACT LOCATIONS
- 4 MARK PART NUMBER AND DATE CODE IN APPROXIMATE LOCATION SHOWN, EITHER SIDE.
- 5 TOLERANCE IS NON-CUMULATIVE.
- 6 2 POSITION DATE CODE IS MARKED OPPOSITE SIDE OF TE LOGO.
- 7 POINT-OF-MEASUREMENT DIMENSION FOR PLATING THICKNESS (INSIDE CONTACT BEAM).
- 8 POINT-OF-CONTACT DIMENSION.
- 9 NO PART NUMBER MARKING REQUIRED FOR THIS PART.
- 10 TE LOGO AND CSA LOGO ARE MOLDED INTO HOUSING.
- 11 CONTACT: DUPLEX PLATED 0.25µm[.000010] MIN GOLD IN CONTACT AREA, 3.81-7.62µm[.000150-.000300] MATTE TIN ON LEADS ALL OVER 1.27µm[.000050] MIN NICKEL
- 12 ROHS 2002/95/EC COMPLIANT

FINISH	B	A	NO OF POSN	PART NUMBER
				8-146386-9
			40	8-146386-8
			39	8-146386-7
			38	8-146386-6
			37	8-146386-5
			35	8-146386-4
			34	8-146386-3
			32	8-146386-2
			29	8-146386-1
			28	8-146386-0
			27	7-146386-9
			25	7-146386-8
			24	7-146386-7
			23	7-146386-6
			21	7-146386-5
			19	7-146386-4
			18	7-146386-3
			17	7-146386-2
			16	7-146386-1
			15	7-146386-0
			4	6-146386-9
			30	6-146386-8
			36	6-146386-7
			33	6-146386-6
			31	6-146386-5
			26	6-146386-4
			22	6-146386-3
			20	6-146386-2
			14	6-146386-1
			13	6-146386-0
			12	5-146386-9
			11	5-146386-8
			10	5-146386-7
			9	5-146386-6
			8	5-146386-5
			7	5-146386-4
			6	5-146386-3
			5	5-146386-2
			3	5-146386-1

FINISH	B	A	NO OF POSN	PART NUMBER
			2	3-146386-9
			40	3-146386-8
			39	3-146386-7
			38	3-146386-6
			37	3-146386-5
			35	3-146386-4
			34	3-146386-3
			32	3-146386-2
			29	3-146386-1
			28	3-146386-0
			27	2-146386-9
			25	2-146386-8
			24	2-146386-7
			23	2-146386-6
			21	2-146386-5
			19	2-146386-4
			18	2-146386-3
			17	2-146386-2
			16	2-146386-1
			15	2-146386-0
			4	1-146386-9
			30	1-146386-8
			36	1-146386-7
			33	1-146386-6
			31	1-146386-5
			26	1-146386-4
			22	1-146386-3
			20	1-146386-2
			14	1-146386-1
			13	1-146386-0
			12	146386-9
			11	146386-8
			10	146386-7
			9	146386-6
			8	146386-5
			7	146386-4
			6	146386-3
			5	146386-2
			3	146386-1

THIS DRAWING IS A CONTROLLED DOCUMENT. DIMENSIONS: mm [INCHES]. TOLERANCES UNLESS OTHERWISE SPECIFIED: 0 PLC ±, 1 PLC ±, 2 PLC ± 0.25[.010], 3 PLC ± 0.13[.005], 4 PLC ±. ANGLES ±.

FINISH SEE TABLE

THIS DRAWING IS A CONTROLLED DOCUMENT. DIM: M.BINNER OSNOV02. CHK: J. OLSON OSNOV02. NAME: J. OLSON OSNOV02. PRODUCT SPEC: 108-25022. APPLICATION SPEC: 114-25018. SIZE: A1. CAGE CODE: 00779. DRAWING NO: 146386. RESTRICTED TO: CUSTOMER DRAWING. SCALE: 4:1. SHEET: 1 OF 1. REV: K6.

STE TE Connectivity Ltd. REC.ASSY.MOD IV, SR, .100CL VRT BOARD MOUNT,CLOSED,TE SHORT PNT. OF CONTACT