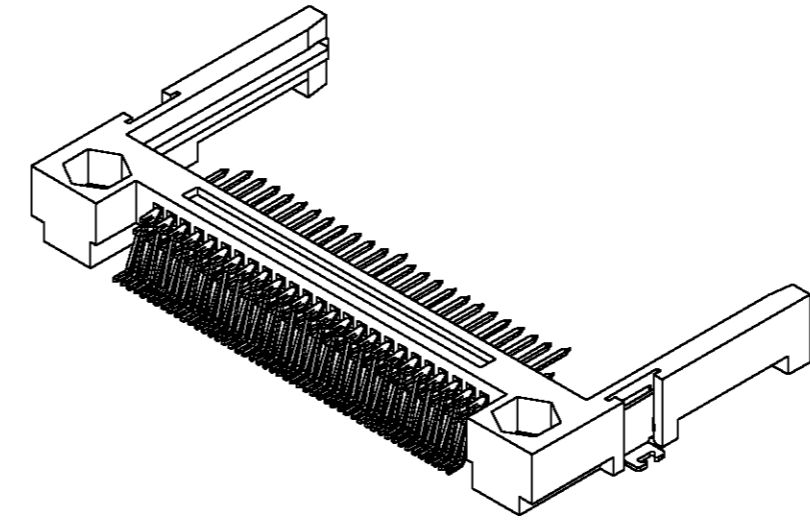
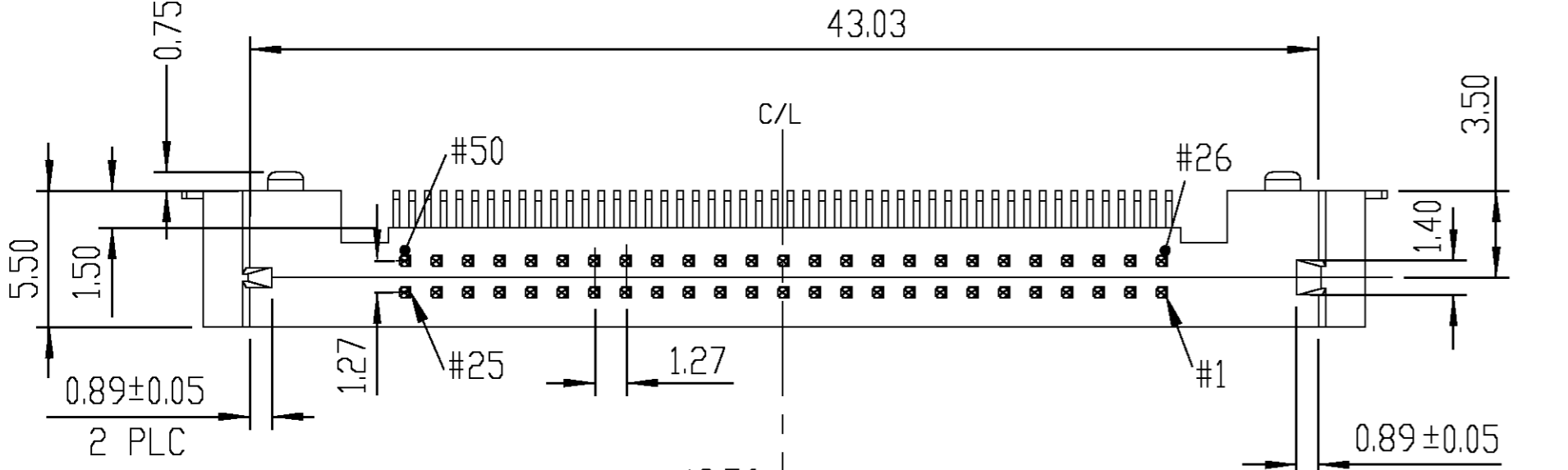
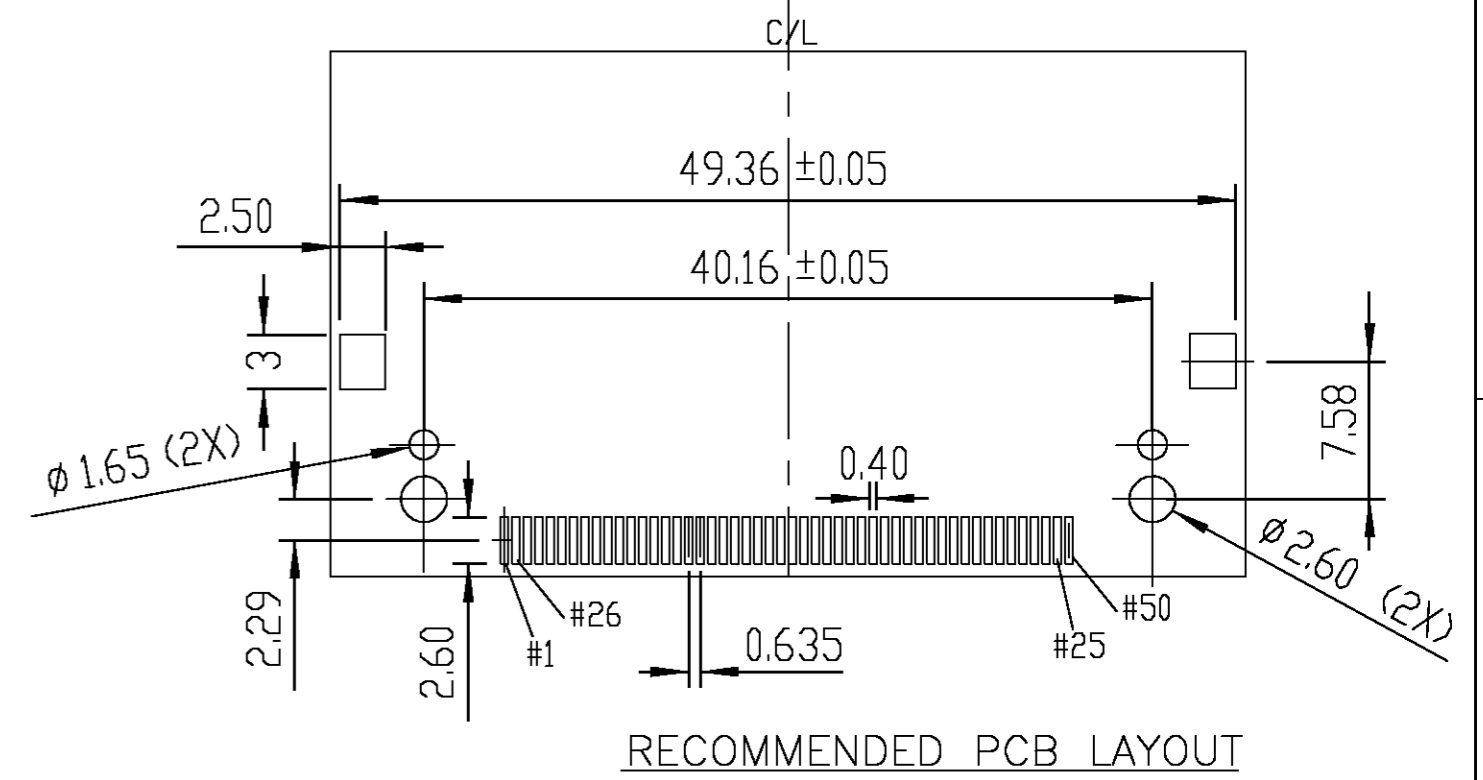
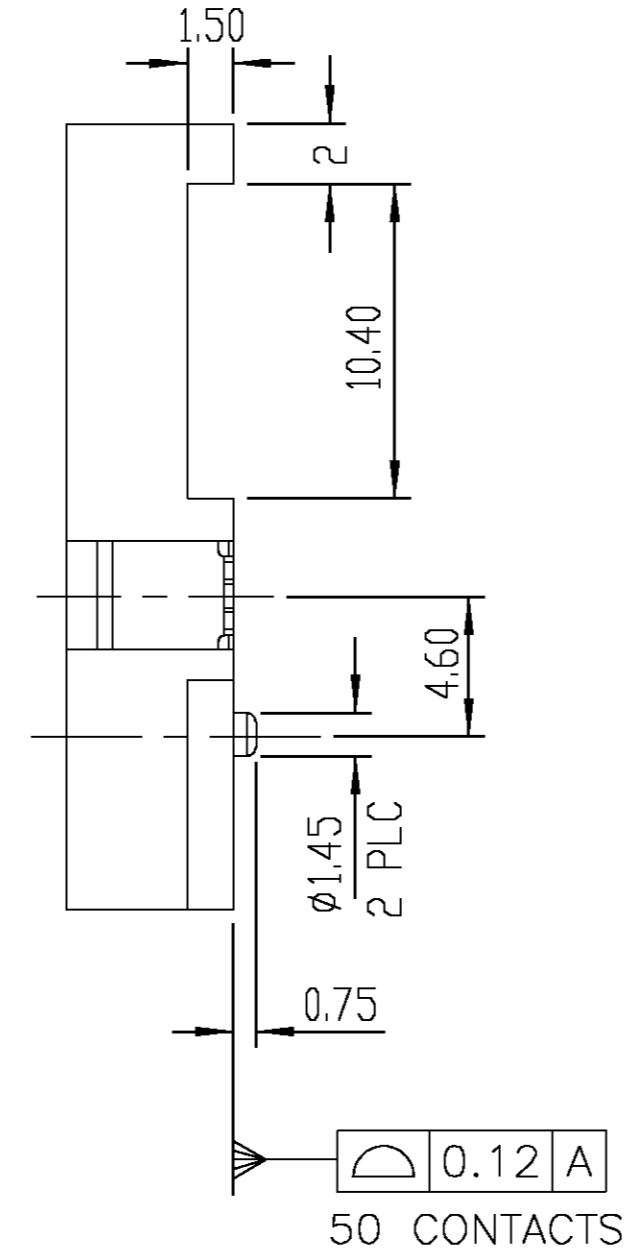
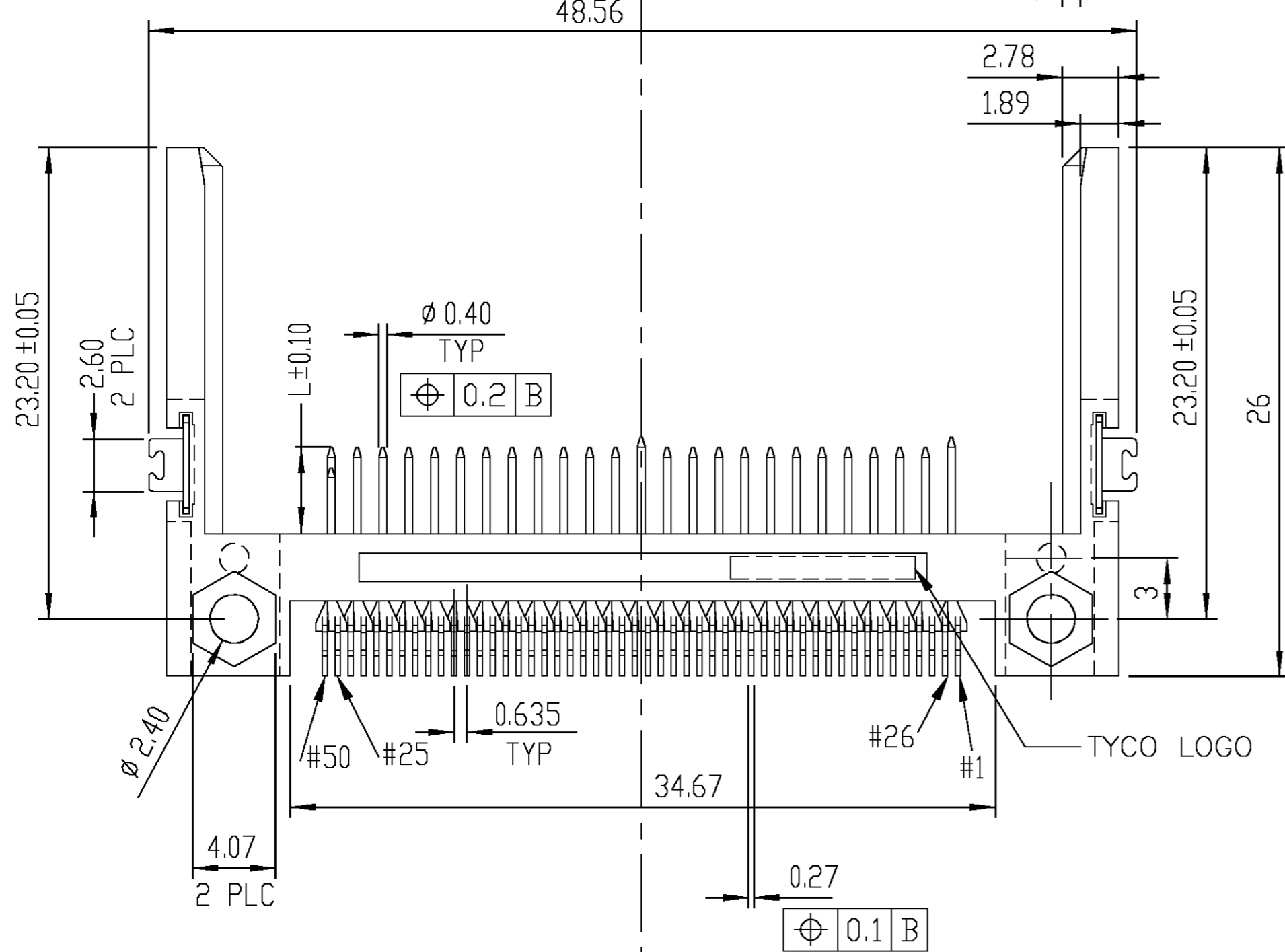


THIS DRAWING IS UNPUBLISHED. RELEASED FOR PUBLICATION  
 © COPYRIGHT BY TYCO ELECTRONICS CORPORATION. ALL RIGHTS RESERVED.

LOC		DIST		REVISIONS			
P	LTR	DESCRIPTION		DATE	DWN	APVD	
0		RELEASED PER EC 0S11-0059-04		24FEB04	JB	KK	



1. MATERIAL:  
HOUSING: LCP 30% GF, UL 94V-0, COLOR: WHITE  
CONTACTS: BRASS (C2680R-EH).  
MOUNT EAR: BRASS
2. FINISH  
CONTACTS: GOLD PLATED (SEE TABLE) IN CONTACT AREA,  
100u" MIN TIN-LEAD ON SOLDER TAILS,  
50u" MIN. NICKEL UNDERPLATED ALL OVER.  
MOUNT EAR: 100u" MIN TIN PLATED.
3. CONNECTOR REQUIRES USE OF 2 - SIZE M2 SCREWS  
FOR FASTENING TO PRINTED CIRCUIT BOARD.
4. PACKAGING: PART PACKAGED 30 PCS PER TRAY,  
750 PCS PER BOX. TRAY SIZE 255 X 355.



POWER	5.00mm
GENERAL	4.25mm
DETECT	3.50mm
PIN TYPE	INTERFACE DIM. L

TRAY	15u"	146552-1
PACKAGE	MIN. GOLD THICKNESS	PART NUMBER

THIS DRAWING IS A CONTROLLED DOCUMENT.		DWN J.BURWELL 24FEB04	Tyco Electronics Corporation Harrisburg, Pa 17105-3608
		CHK K.KREIDLER 24FEB04	
DIMENSIONS: mm 		TOLERANCES UNLESS OTHERWISE SPECIFIED: 0 PLC ± 0.5 1 PLC ± 0.3 2 PLC ± 0.2 3 PLC ± - 4 PLC ± - ANGLES ± 5° FINISH -	NAME PRODUCT SPEC APPLICATION SPEC WEIGHT CUSTOMER DRAWING
		APVD - SIZE A2 CAGE CODE 00779 DRAWING NO C=146552 RESTRICTED TO -	SCALE 2:1 SHEET 1 OF 1 REV 0