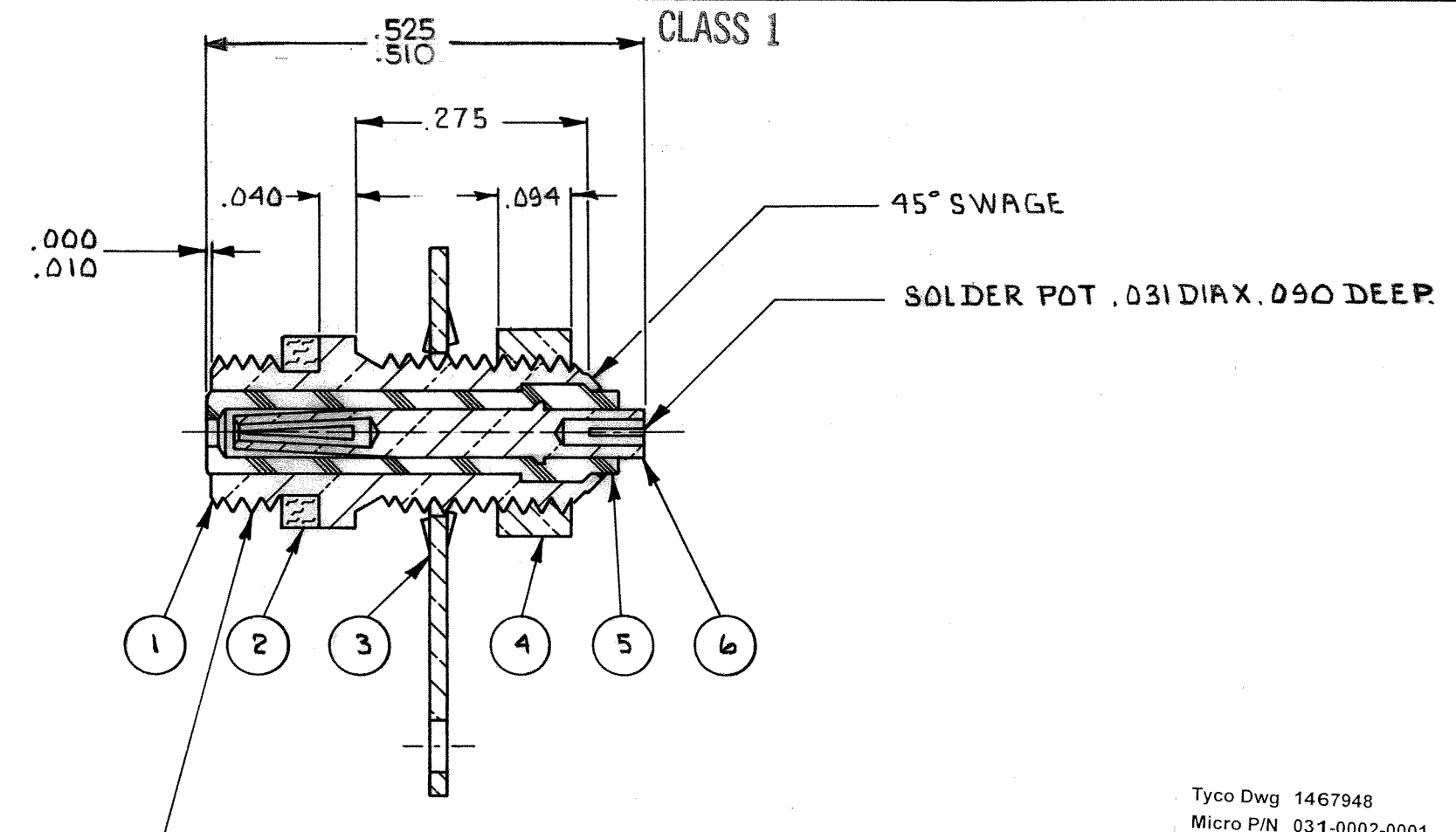
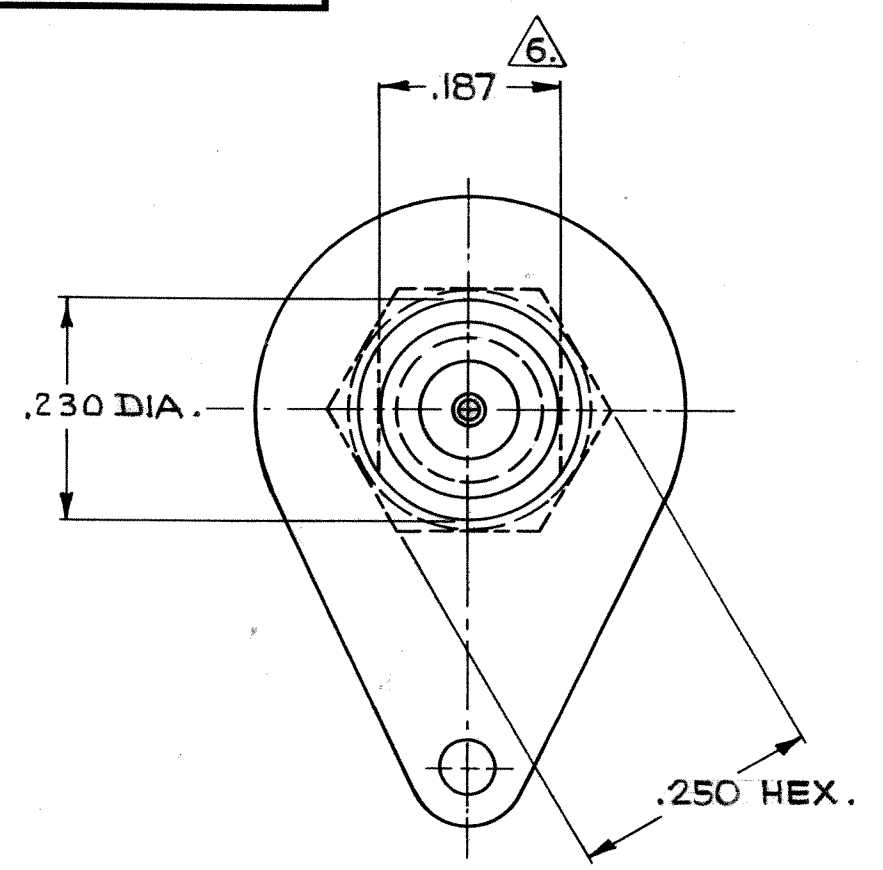


These drawings and specifications are the property of Microdot Inc., are issued in strict confidence and shall not be divulged, be reproduced or copied, or used as the basis for the manufacture or sale of any article without written permission of Microdot Inc.



.190-32 UNF-2A
(BOTH ENDS)

Tyco Dwg 1467948
Micro P/N 031-0002-0001

REQ'D	PART NO	NOMENCLATURE	MAT'L & SPEC.	FINISH	ITEM
1	003-1462-0002	SOCKET CONTACT	BERYLLIUM COPP. QQ-C-530	△5	6
1	003-1460-0001	INSULATOR	TEFLON, L-P-403		5
1	003-0009-0001	HEX NUT	BRASS PER QQ-B-626	△4	4
1	003-0306-0001	SHAKE PROOF LUG	#425 BRONZE ALLOY	△4	3
1	003-0011-0001	GASKET	NEOPRENE MIL-R-3065		2
1	003-1459-0001	HOUSING	BRASS PER QQ-B-626	△4	1

△6 WRENCH FLAT.

△5 GOLD PLATE PER MIL-G-45204, TYPE II, CL. I.

△4 SILVER PLATE .0002-.0004, PER QQ-S-365, TYPE II, GRADE A.

3 INSULATION RESISTANCE 5.0×10^3 MEGOHMS MIN.

2 WORKING VOLTAGE -750 VOLTS RMS.

1 THIS RECEPTACLE MATES WITH ALL PLUGS IN SERIES S-50 AS LISTED IN MALCO CATALOG.

NOTES: UNLESS OTHERWISE SPECIFIED

ASSEMBLY	NO REQ'D	LET	ECO	REVISION DESCRIPTION	BY	DATE	APP
		K	78/6	REDESIGNED & REDRAWN	G.K.	2/27	
		L	1608	REV. LETTER UP-DATED		3/19/53	
		M	28910	ITEM 3 MAT'L WAS: PHOSPHOR BRONZE, QQ-P-330; ITEM 5 MAT'L WAS: TEFLON, MIL-M-14077; UPDATE	(LM)		
		N		REV. UPDATE 38545	HG	2/1	

STANDARD TOLERANCES UNLESS OTHERWISE SPECIFIED
 DEC. ± .010
 FRAC. ±
 ANGLES ±
 ECCENTRICITY
 MAX. T.I.R.
 HOLE DIA. ±
 SURFACE ROUGHNESS MICRO INCHES
 THREADS TO MIL-S-7742
 COMMERCIAL TOLERANCES APPLY TO STOCK DIMENSIONS

MALCO
A MICRODOT COMPANY, INC.
220 PASADENA AVE., SO. PASADENA, CAL
SURFACE TREATMENT NOTED

BULK HEAD RECEPT.

MATERIAL	APP	APP
NOTED	G.G.	
	CHECKED BY	
	DRAWN BY	
PROJ CODE 931	SCALE 5x	DATE 10-6-53
CODE CDM	DRAWING NUMBER 031-0002-0001 N	