

DIM C	DIM B	DIM A	POS.	PART NUMBER
32.74	34.0	30.0	32	3-1470108-2
30.74	32.0	28.0	30	3-1470108-0
28.74	30.0	26.0	28	2-1470108-8
26.74	28.0	24.0	26	2-1470108-6
24.74	26.0	22.0	24	2-1470108-4
22.74	24.0	20.0	22	2-1470108-2
20.74	22.0	18.0	20	2-1470108-0
REACTIVE 18.74	20.0	16.0	18	1-1470108-8
16.74	18.0	14.0	16	1-1470108-6
14.74	16.0	12.0	14	1-1470108-4
12.74	14.0	10.0	12	1-1470108-2
10.74	12.0	8.0	10	1-1470108-0
8.74	10.0	6.0	8	1470108-8
6.74	8.0	4.0	6	1470108-6

NOTE:

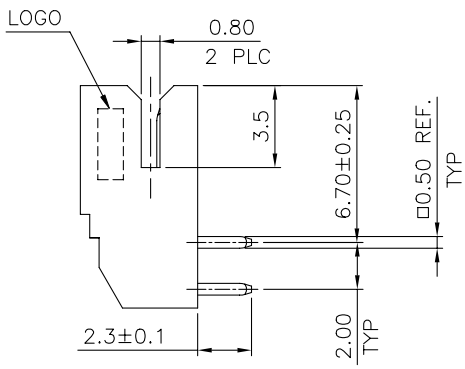
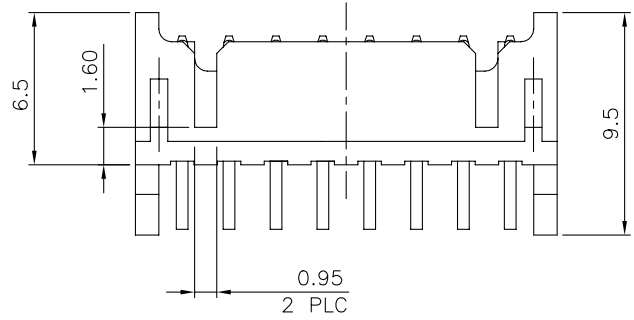
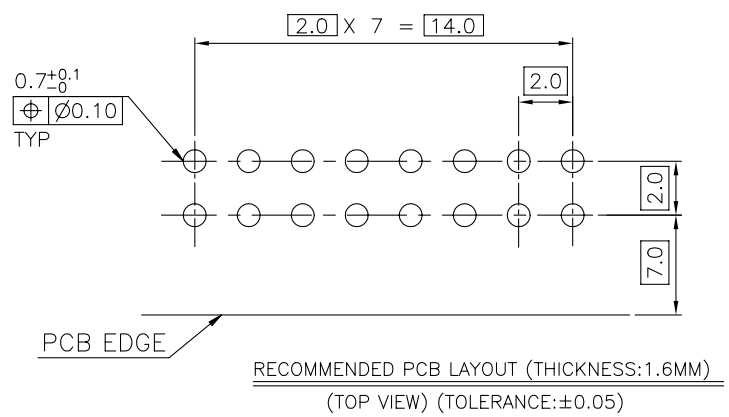
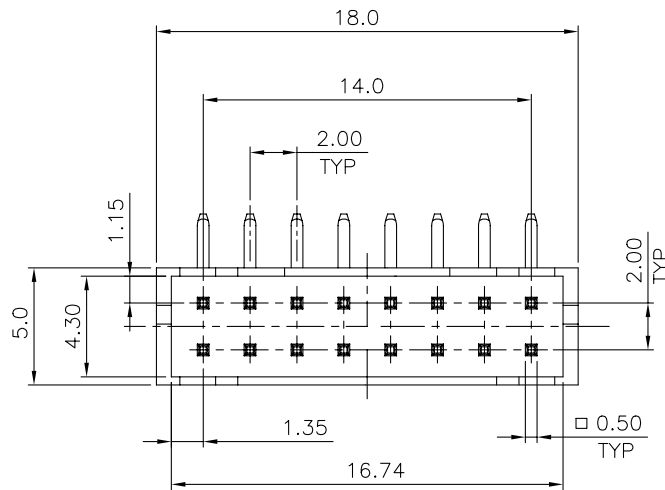
- MATERIAL:  
HOUSING: THERMOPLASTIC UL94V-0, NATURAL COLOR.  
CONTACT: BRASS, THICKNESS=0.20MM.
- FINISH:  
CONTACT: 100u" MIN. TIN PLATED ON CONTACT AREA,  
30u" MIN. NICKEL UNDERPLATED OVER ALL.
- WAVE SOLDER CAPABLE TO 240°C PER TEST SPEC.  
109-202, CONDITION B.

THIS DRAWING IS A CONTROLLED DOCUMENT.		DWN J. LEE 24OCT2005	TE Connectivity		
DIMENSIONS: MM		CHK S. HOU 24OCT2005			
TOLERANCES UNLESS OTHERWISE SPECIFIED:		APVD W.J. KE 24OCT2005	NAME		
0 PLC ± - 1 PLC ± 0.3 2 PLC ± 0.2 3 PLC ± 0.1 4 PLC ± - ANGLES ± 3°		PRODUCT SPEC 108-57217	2.0MM PITCH HEADER, DIP, RIGHT ANGLE TYPE		
MATERIAL SEE NOTE		QUALIFICATION TEST REPORT 501-57218	SIZE A3	CAGE CODE 00779	DRAWING NO C=1470108
FINISH SEE NOTE		WEIGHT - GRAMS	RESTRICTED TO	SCALE -	SHEET 1 of 3
		CUSTOMER DRAWING	REV F5		

4 | 3 | 2 | 1

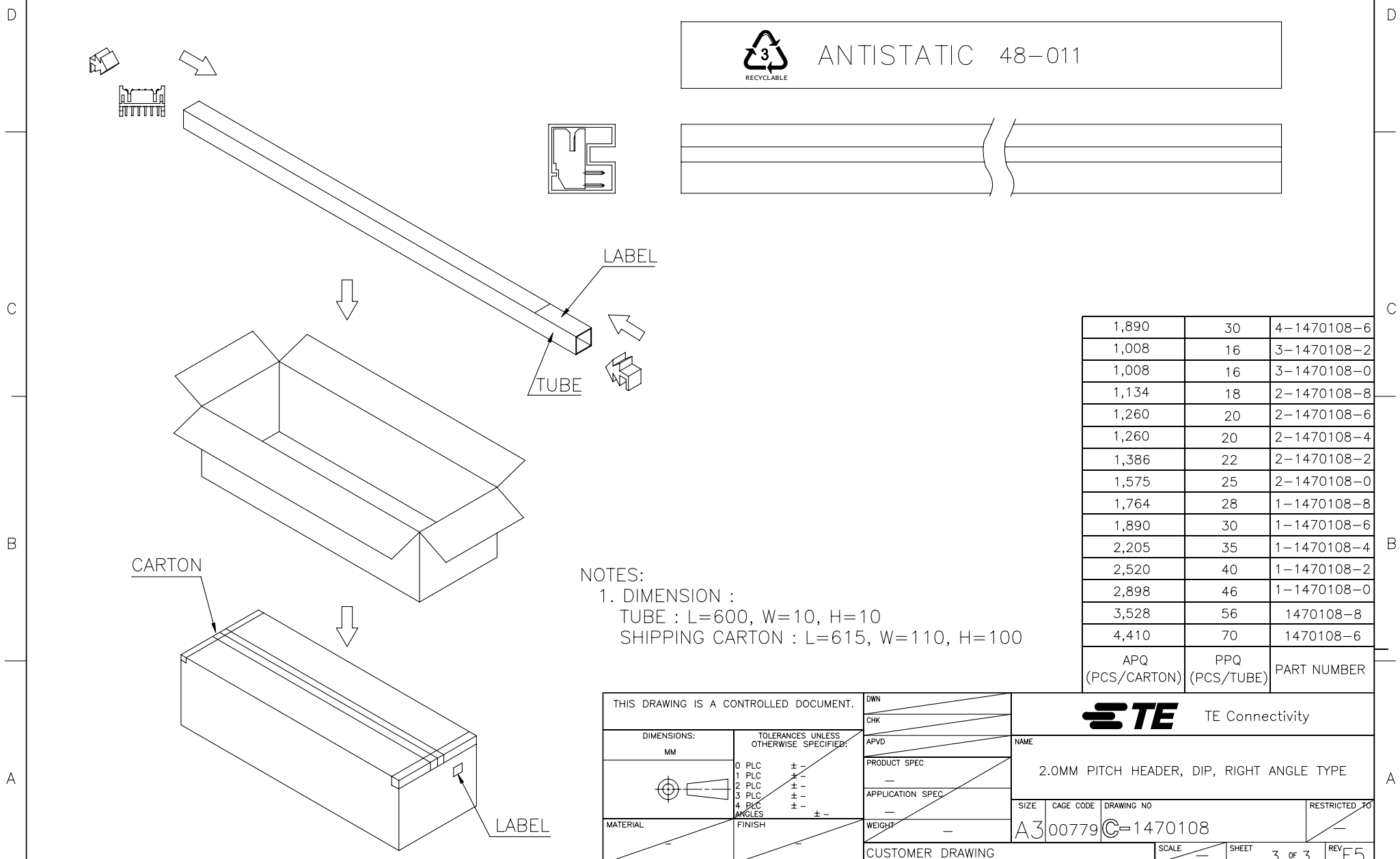
THIS DRAWING IS UNPUBLISHED. RELEASED FOR PUBLICATION AUG. 2006.  
 © COPYRIGHT 2009 BY TYCO ELECTRONICS CORPORATION. ALL RIGHTS RESERVED.

REVISIONS				
P	LTR	DESCRIPTION	DATE	APVD
		SEE SHEET 1.		



16	4-1470108-6
POS.	PART NUMBER

THIS DRAWING IS A CONTROLLED DOCUMENT.		DWN	<b>TE</b> TE Connectivity		
DIMENSIONS: MM		CHK			
TOLERANCES UNLESS OTHERWISE SPECIFIED:		APVD	NAME		
0 PLC ± -		PRODUCT SPEC	2.0MM PITCH HEADER, DIP, RIGHT ANGLE TYPE		
1 PLC ± 0.3		APPLICATION SPEC	SIZE	CAGE CODE	DRAWING NO
2 PLC ± 0.2		WEIGHT	A3	00779	C=1470108
3 PLC ± 0.1		CUSTOMER DRAWING			RESTRICTED TO
4 PLC ± -		SCALE			SHEET 2 of 3
ANGLES ± 3'		REV F5			
MATERIAL	FINISH				
SEE SHEET 1.	SEE SHEET 1.				



THIS DRAWING IS A CONTROLLED DOCUMENT.

DIMENSIONS: MM	TOLERANCES UNLESS OTHERWISE SPECIFIED:	DWN	TE Connectivity		
	0 PLC ± -	CHK	NAME		
	1 PLC ± -	APVD	2.0MM PITCH HEADER, DIP, RIGHT ANGLE TYPE		
	2 PLC ± -	PRODUCT SPEC	SIZE	CAGE CODE	DRAWING NO
	3 PLC ± -	APPLICATION SPEC	A3	00779	C=1470108
MATERIAL	4 PLC ± -	WEIGHT	RESTRICTED TO		
	ANGLES ± -	FINISH	-		
CUSTOMER DRAWING		SCALE	SHEET	REV	
			3 of 3	F5	