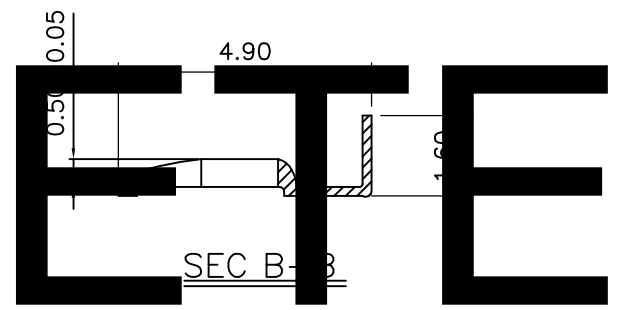
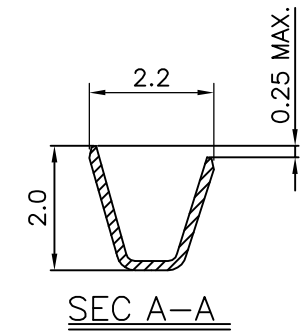
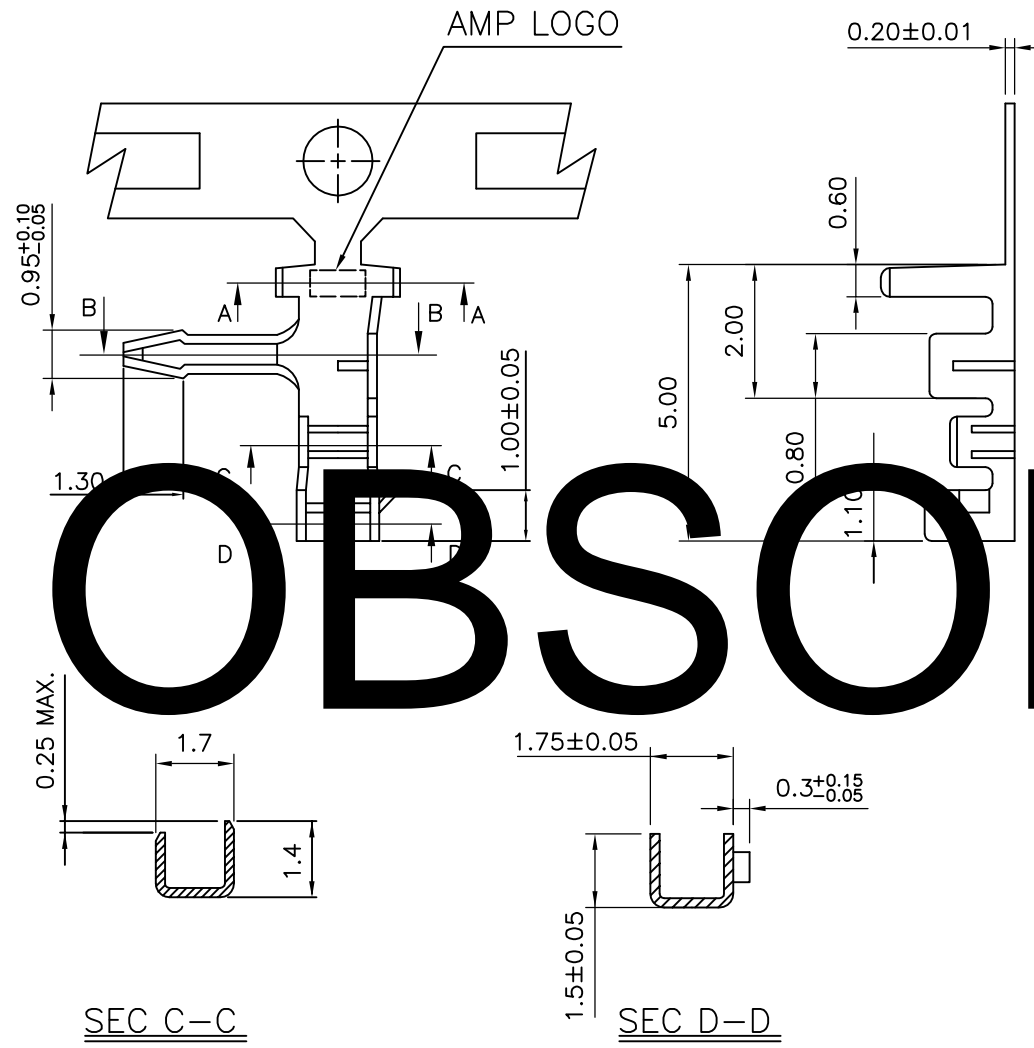


LOC	DIST	REVISIONS				
P	LTR	DESCRIPTION	DATE	DWN	APVD	
DW	-	A	REVISED (ECR-15-012298)	03APR2016	J.J	W.H



OBSOLETE

- NOTE:
- MATERIAL :
TERMINAL: BRASS.
 - FINISHED :
TERMINAL: 1.27um [50u"] MIN. TIN ON SOLDER TAILS,
0.381um [15u"] MIN. NICKEL UNDERPLATED
ALL OVER.
 - ACCEPTS HOUSING: X-1470199-X.

1470200-1
PART NUMBER

THIS DRAWING IS A CONTROLLED DOCUMENT.		DWN J. LAI 27MAY2009	Tyco Electronics Corporation Taipei, Taiwan	
DIMENSIONS: MM		CHK S. CHIEN 27MAY2009	NAME	
TOLERANCES UNLESS OTHERWISE SPECIFIED:		APVD W. KODAMA 27MAY2009	PRODUCT SPEC	
0 PLC ± - 1 PLC ± 0.20 2 PLC ± 0.10 3 PLC ± 0.05 4 PLC ANGLES ± -		108-57158		
MATERIAL SEE NOTE		APPLICATION SPEC	ANGLE, CONTACT 2.0 MM PITCH, CRIMP, RIGHT	
FINISH SEE NOTE		WEIGHT - GRAMS	SIZE A3	RESTRICTED TO -
		CAGE CODE 00779	DRAWING NO G=1470200	
		CUSTOMER DRAWING		SCALE - SHEET 1 OF 2 REV A1

4

3

2

1

THIS DRAWING IS UNPUBLISHED.

RELEASED FOR PUBLICATION AUG 2006.

© COPYRIGHT 2009

BY TYCO ELECTRONICS CORPORATION.

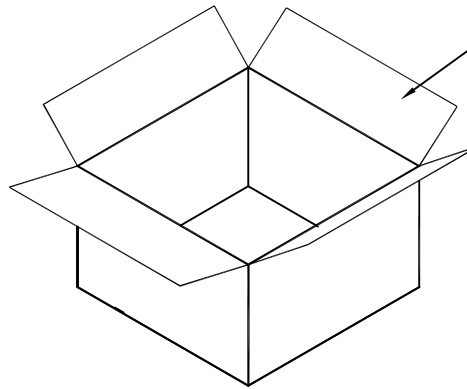
ALL RIGHTS RESERVED.

LOC
DW

DIST

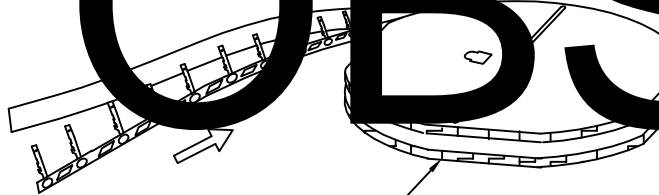
REVISIONS

P	LTR	DESCRIPTION	DATE	DWN	APVD
		SEE SHEET 1.			

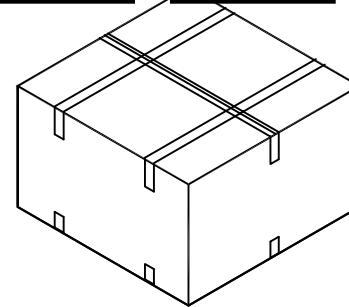


CARTON
590mm(L)X590mm(W)X115mm(H)
40,000 TERMINALS / CARTON

OBSOLETE



REEL
DIAMETER: ϕ 580mm.
10,000 TERMINALS / REEL



THIS DRAWING IS A CONTROLLED DOCUMENT.

DIMENSIONS: MM		TOLERANCES UNLESS OTHERWISE SPECIFIED:	
		0 PLC	± -
		1 PLC	± -
		2 PLC	± -
		3 PLC	± -
		4 PLC ANGLES	± -
MATERIAL	FINISH		

DWN
CHK
APVD
PRODUCT SPEC
APPLICATION SPEC
WEIGHT
CUSTOMER DRAWING

		Tyco Electronics Corporation Taipei, Taiwan	
NAME		ANGLE, CONTACT2.0 MM PITCH, CRIMP, RIGHT	
SIZE	CAGE CODE	DRAWING NO	RESTRICTED TO
A3	00779	G=1470200	
SCALE		SHEET	REV
-		2 of 2	A1