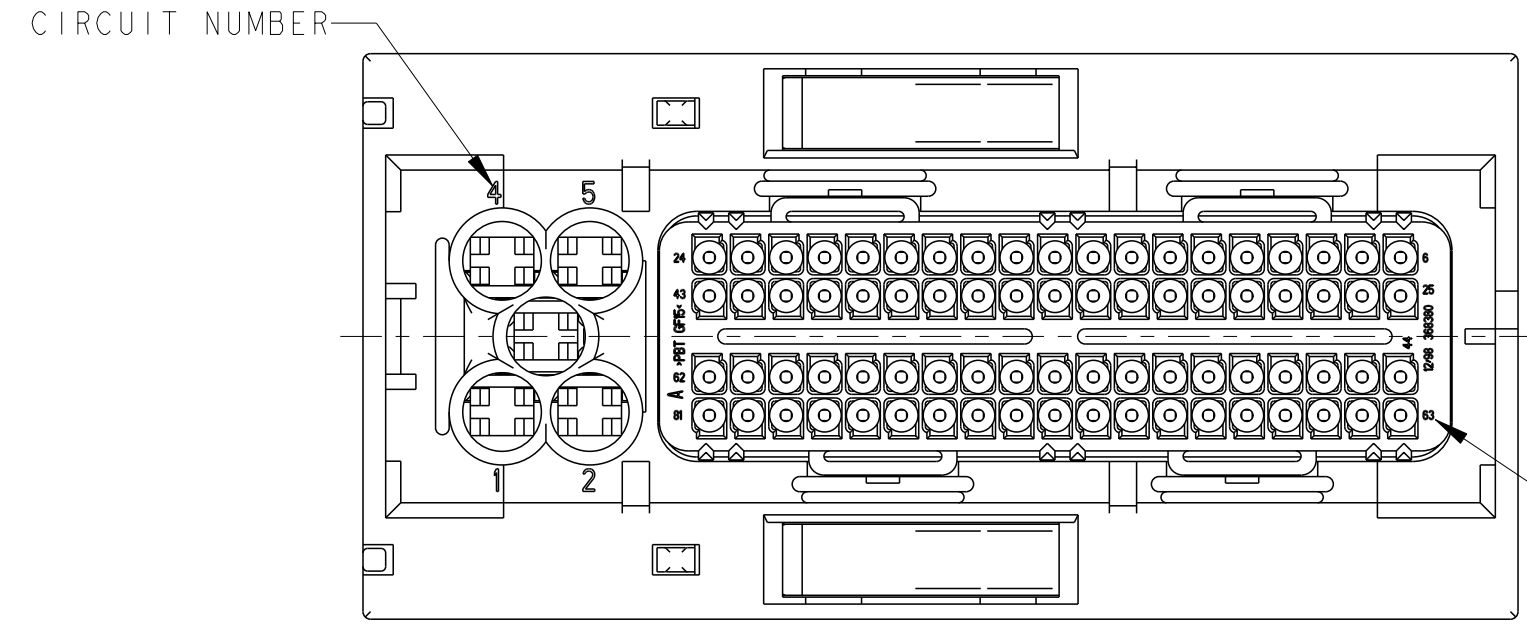
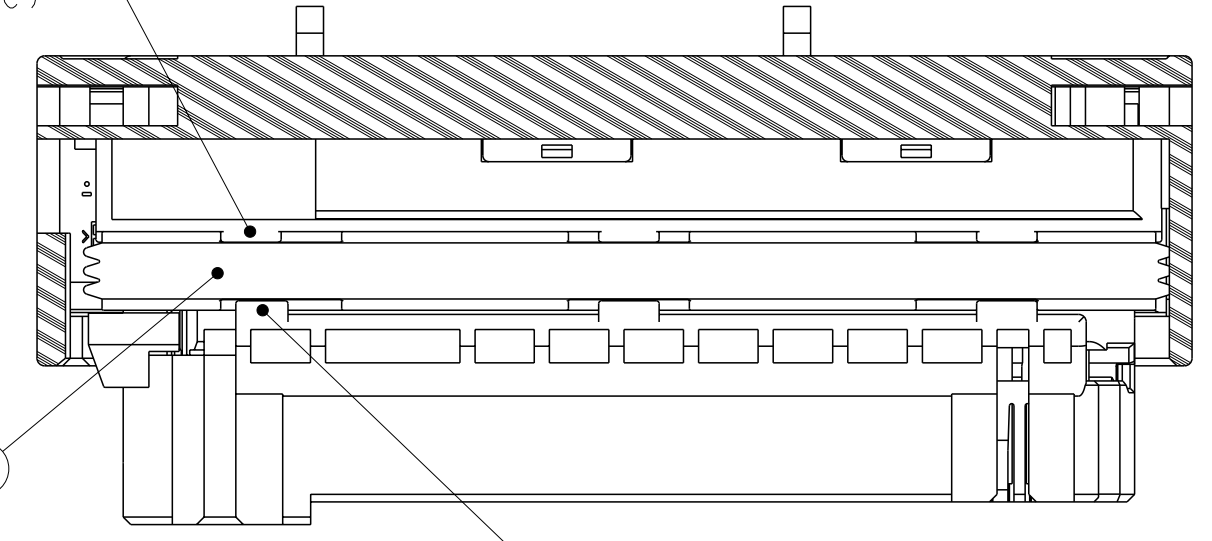


THIS DRAWING IS UNPUBLISHED. RELEASED FOR PUBLICATION 20
 © COPYRIGHT 20 ALL RIGHTS RESERVED.

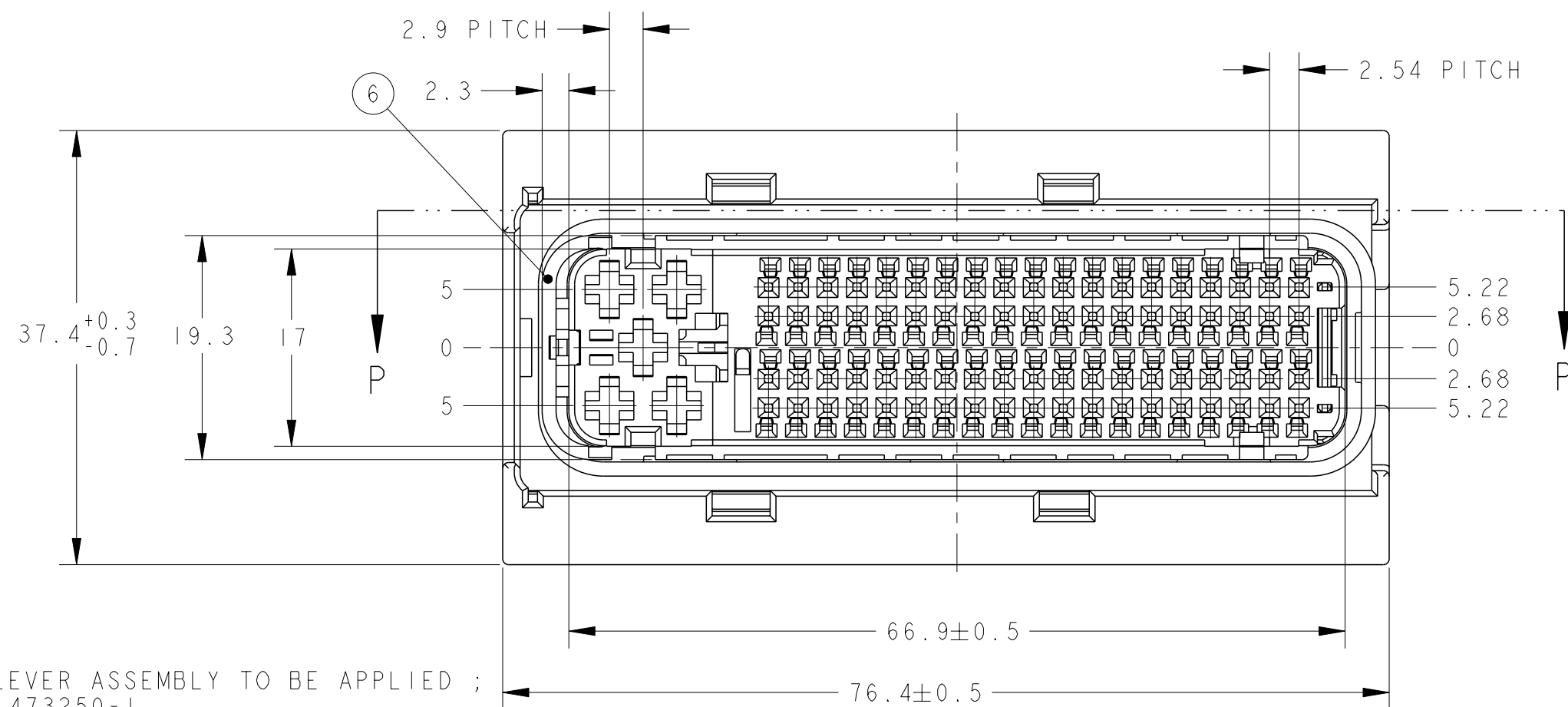
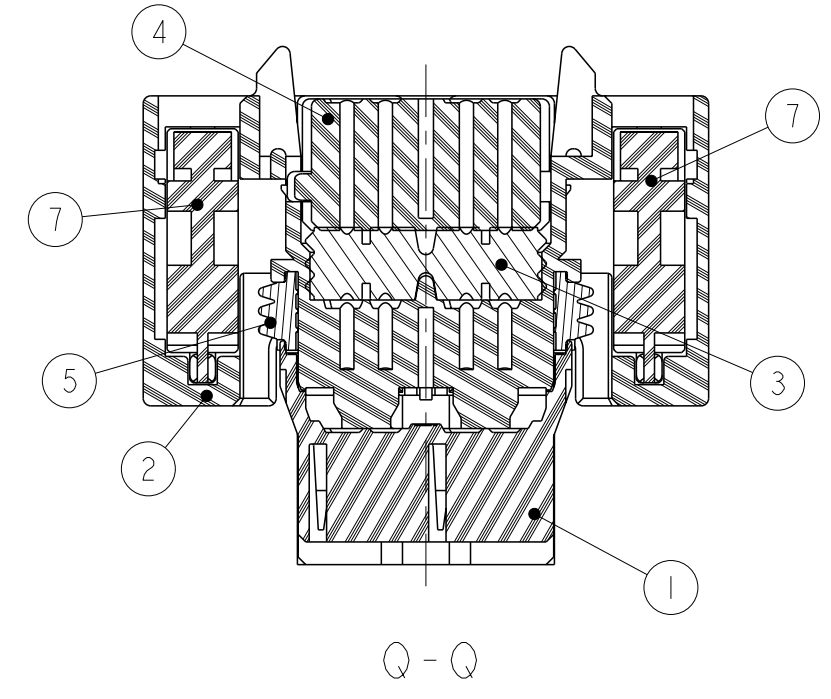
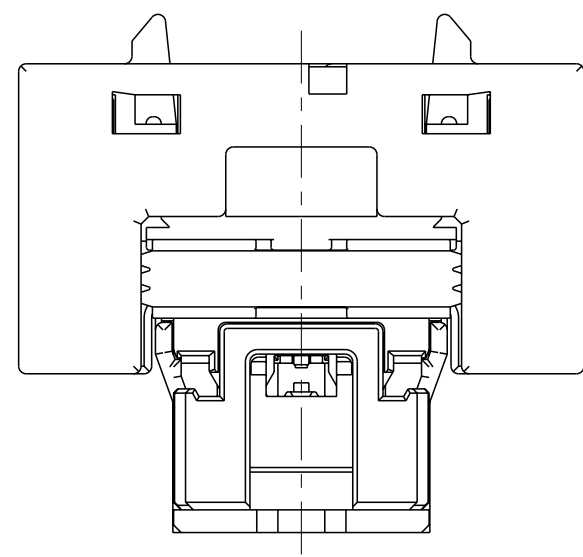
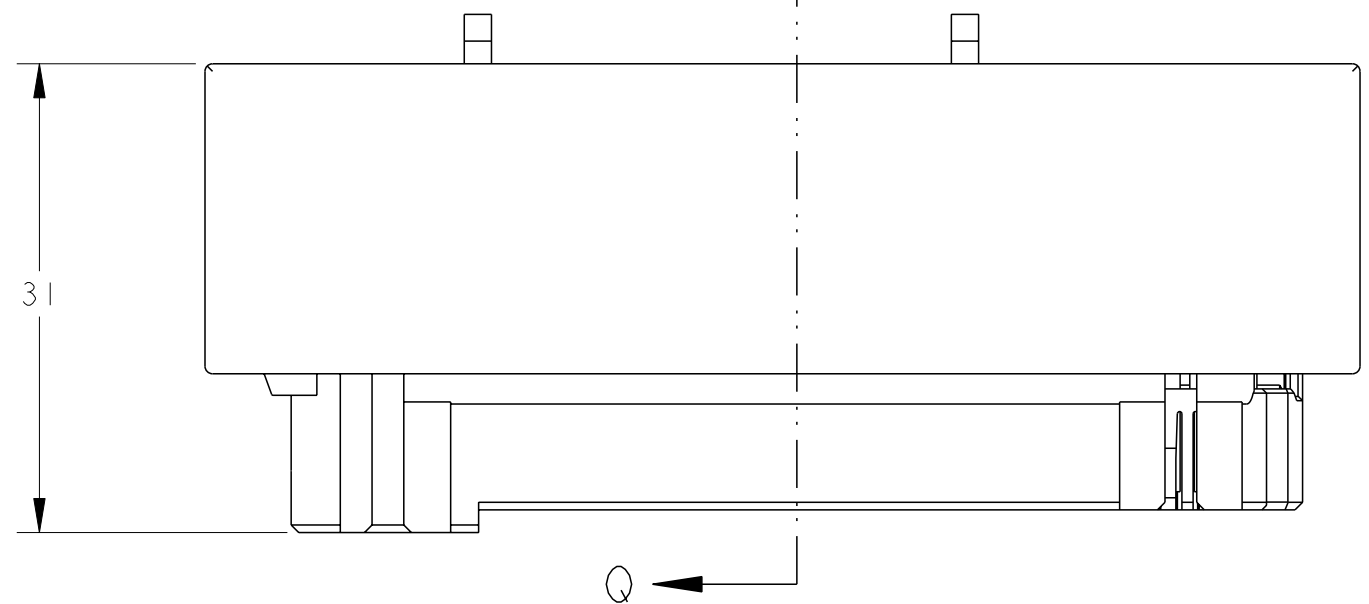
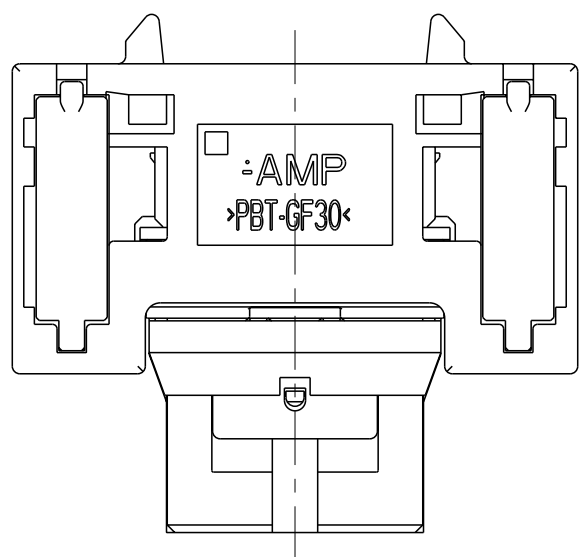
LOC		DIST		REVISIONS					
J		-		REV	DESCRIPTION	ECN	DATE	DWN	APVD
P	LTR	A	RELEASED	-	23JUN08	TS	KB		
		A1	REVISED	ECR-16-002218	15FEB2016	TS	KB		
		A2	REVISED	ECR-21-121320	19NOV2021	DM	RK		



BOSS OF MAIN CAVITY BLOCK. IT HOLD A PERIPHERAL SEAL. (8PLC)



BOSS OF FRONT CAVITY BLOCK. IT HOLD A PERIPHERAL SEAL. (6PLC)



- PART NUMBER OF LEVER ASSEMBLY TO BE APPLIED ; P/N 1473247-1, 1473250-1
- PART NUMBER OF MQS RETAINER TO BE APPLIED ; P/N 368382-1
- APPLIED TERMINAL ; SEE TABLE-1
- PART NUMBER OF CAP HOUSING TO BE MATED ; P/N 1241434-2
- INSTRUCTION SHEET NO ; 411-78008

TABLE-1

CONTACT	MQS		JPT		
PART NUMBER	5-968220-1	5-968221-1	964282-2	964286-2	964273-2
WIRE SIZE (mm ²)	0.2~0.5	0.75	0.2~0.5	0.5~1.0	>1.0~2.5

NO	MATERIAL	PART NAME	FINISH/COLOR	NO
2	PA66	SLIDER	BLACK	7
1	PBT	JPT RETAINER	YELLOW	6
1	SILICONE	PERIPHERAL SEAL	ORANGE	5
1	PBT	SEAL RETAINER	BLACK	4
1	SILICONE	76POS FAMILY SEAL	ORANGE	3
1	PBT	MAIN CAVITY BLOCK	BLACK	2
1	PA66	FRONT CAVITY BLOCK	RED	1
-3	MATERIAL	PART NAME	FINISH/COLOR	NO

THIS DRAWING IS A CONTROLLED DOCUMENT.

DIMENSIONS: 単位: 桁 (mm)

TOLERANCES UNLESS OTHERWISE SPECIFIED: 一般公差 = ±0.3

0-PLC ±
1-PLC ±0.5
2-PLC ±0.13
3-PLC ±0.013
4-PLC ±0.001
ANGLES ±3°00'

MATERIAL 材料 SEE TABLE

FINISH 仕上 SEE TABLE

DWN T. SHINOHARA 23JUN08
CHK K. BEISUI 23JUN08
APVD K. BEISUI 23JUN08

PRODUCT SPEC 108-5793
APPLICATION SPEC 114-18021, 114-18050

WEIGHT 46.5g

CUSTOMER DRAWING

SCALE 2:1

SHEET 1 OF 1

REV A2

NAME 名称 PLUG HOUSING ASSY SEALED 81POS. PLUG HSG MQS CLEAN BODY/JPT

DRAWING NO 番号 C-1473244-3

RESTRICTED TO