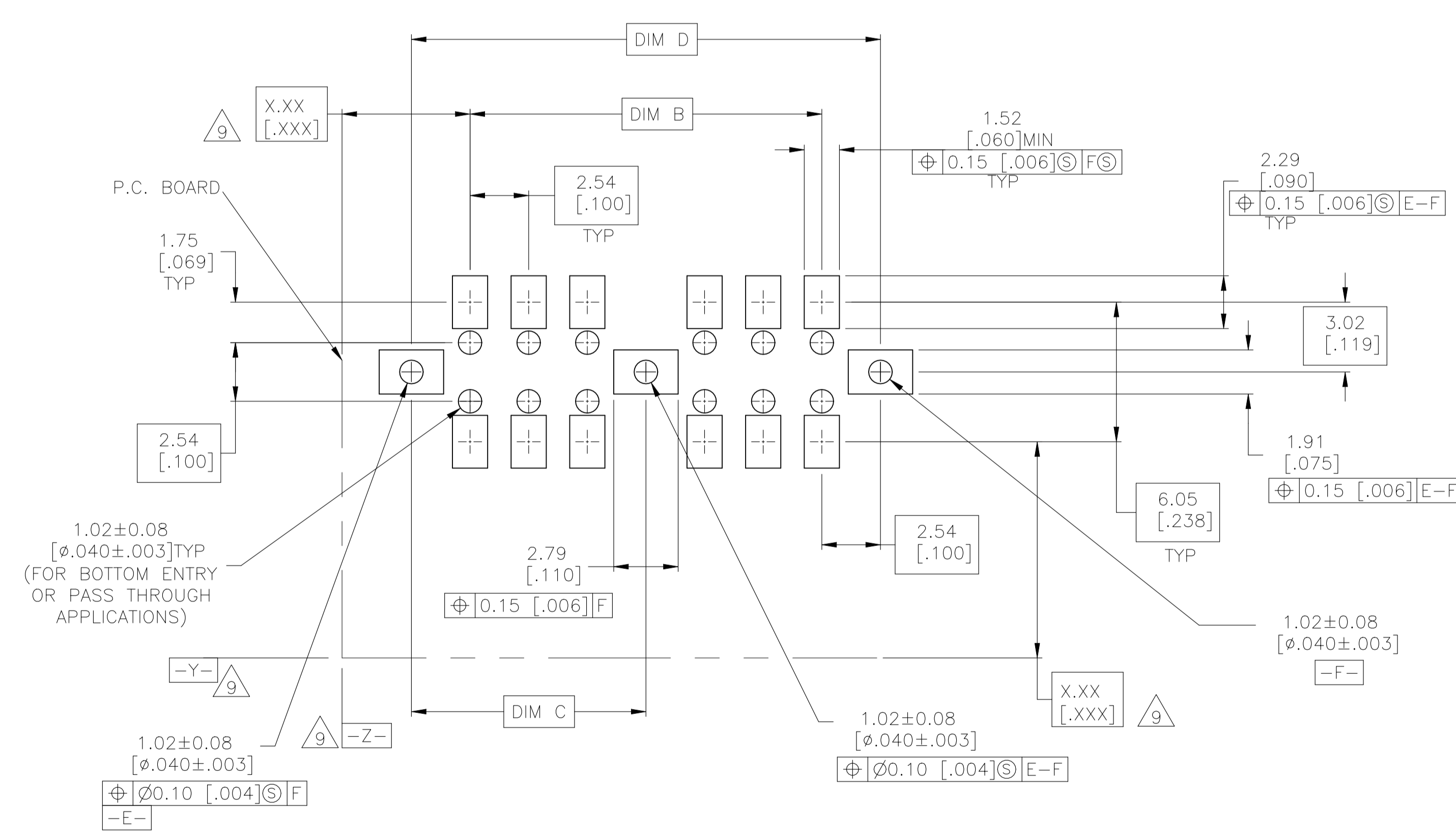
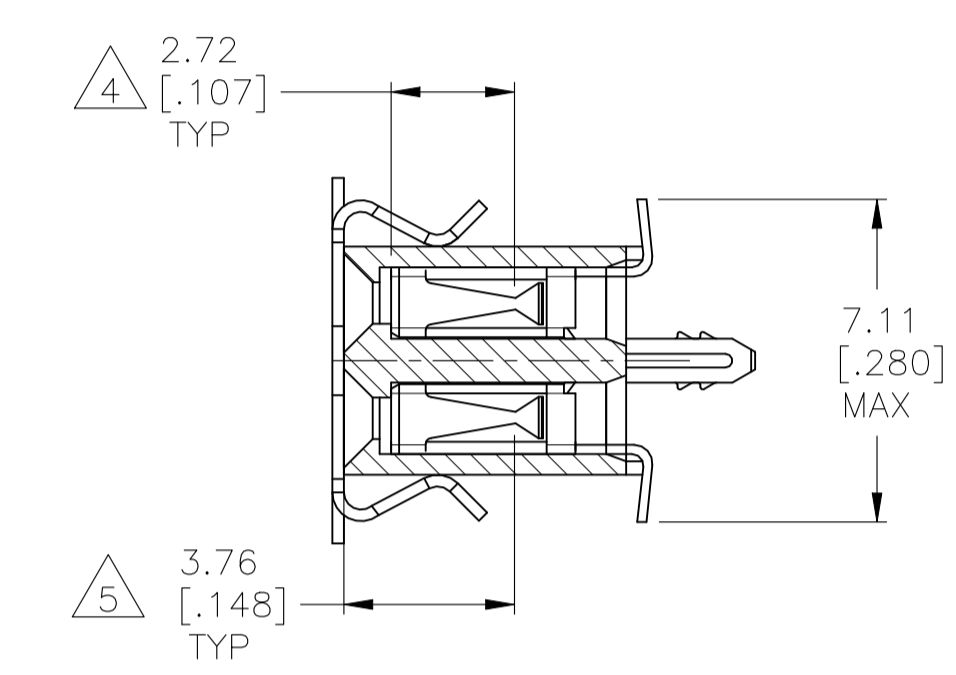
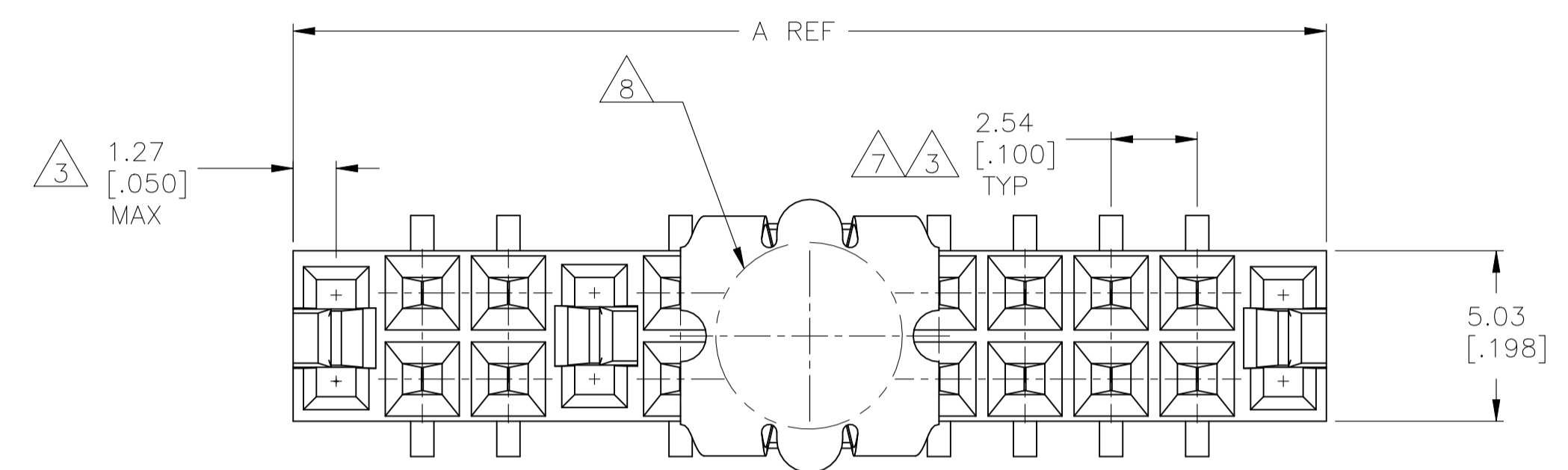
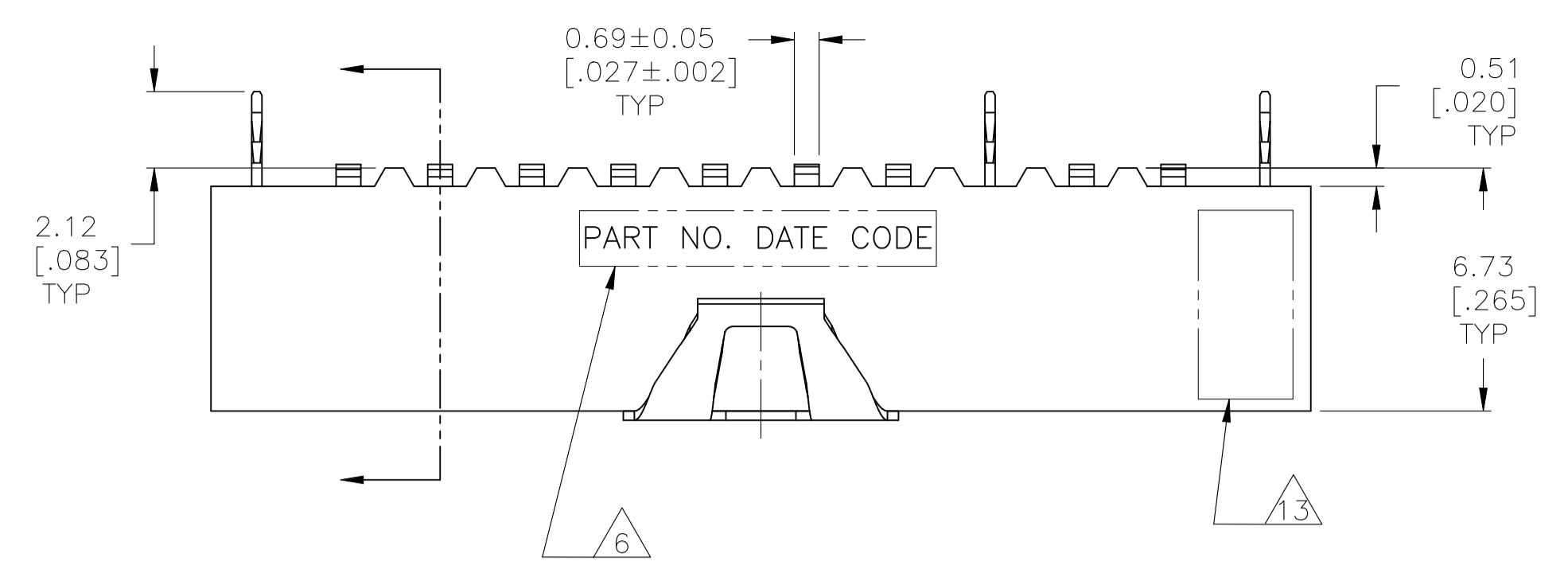


REVISIONS					
P	LTR	DESCRIPTION	DATE	DRN	APVD
J		RESIN SUPPLIER CHANGE FOR THE HOUSING	26OCT2021	SCB	KJK



RECOMMENDED PC BOARD PAD PATTERN
0.20[.008] THICK STENCIL

		106.68 [4.200]	53.34 [2.100]	101.6 [4.000]	109.22 [4.300]	80	4-147747-0
		104.14 [4.100]	50.80 [2.000]	99.06 [3.900]	106.68 [4.200]	78	3-147747-9
		101.60 [4.000]	50.80 [2.000]	96.52 [3.800]	104.14 [4.100]	76	3-147747-8
		99.06 [3.900]	48.26 [1.900]	93.98 [3.700]	101.6 [4.000]	74	3-147747-7
		96.52 [3.800]	48.26 [1.900]	91.44 [3.600]	99.06 [3.900]	72	3-147747-6
		93.98 [3.700]	45.72 [1.800]	88.9 [3.500]	96.52 [3.800]	70	3-147747-5
		88.90 [3.500]		83.82 [3.300]	91.44 [3.600]	68	3-147747-4
		86.36 [3.400]		81.28 [3.200]	88.9 [3.500]	66	3-147747-3
		83.82 [3.300]		78.74 [3.100]	86.36 [3.400]	64	3-147747-2
		81.28 [3.200]		76.2 [3.000]	83.82 [3.300]	62	3-147747-1
		78.74 [3.100]		71.12 [2.900]	81.28 [3.200]	60	3-147747-0
		76.20 [3.000]		71.12 [2.800]	78.74 [3.100]	58	2-147747-9
		71.12 [2.900]		68.58 [2.700]	76.2 [3.000]	56	2-147747-8
		71.12 [2.800]		66.04 [2.600]	71.12 [2.900]	54	2-147747-7
		68.58 [2.700]		63.5 [2.500]	71.12 [2.800]	52	2-147747-6
		66.04 [2.600]		60.96 [2.400]	68.58 [2.700]	50	2-147747-5
		63.50 [2.500]		58.42 [2.300]	66.04 [2.600]	48	2-147747-4
		60.96 [2.400]		55.88 [2.200]	63.5 [2.500]	46	2-147747-3
		58.42 [2.300]		53.34 [2.100]	60.96 [2.400]	44	2-147747-2
		55.88 [2.200]		50.8 [2.000]	58.42 [2.300]	42	2-147747-1
		53.34 [2.100]		48.26 [1.900]	55.88 [2.200]	40	2-147747-0
		50.80 [2.000]		45.72 [1.800]	53.34 [2.100]	38	1-147747-9
		48.26 [1.900]		43.18 [1.700]	50.8 [2.000]	36	1-147747-8
		45.72 [1.800]		40.64 [1.600]	48.26 [1.900]	34	1-147747-7
		43.18 [1.700]		38.1 [1.500]	45.72 [1.800]	32	1-147747-6
		40.64 [1.600]		35.56 [1.400]	43.18 [1.700]	30	1-147747-5
		38.10 [1.500]		33.02 [1.300]	40.64 [1.600]	28	1-147747-4
		35.56 [1.400]		30.48 [1.200]	38.1 [1.500]	26	1-147747-3
		33.02 [1.300]		27.94 [1.100]	35.56 [1.400]	24	1-147747-2
		30.48 [1.200]		25.4 [1.000]	33.02 [1.300]	22	1-147747-1
		27.94 [1.100]		22.86 [1.000]	30.48 [1.200]	20	1-147747-0
		25.40 [1.000]		20.32 [1.000]	27.94 [1.100]	18	147747-9
		22.86 [1.000]		17.78 [1.000]	25.4 [1.000]	16	147747-8
		20.32 [1.000]		15.24 [1.000]	22.86 [1.000]	14	147747-7
		17.78 [1.000]		12.7 [1.000]	20.32 [1.000]	12	147747-6
		15.24 [1.000]		10.16 [1.000]	17.78 [1.000]	10	147747-5
		12.70 [1.000]		7.62 [1.000]	15.24 [1.000]	8	147747-4
		10.16 [1.000]		5.08 [1.000]	12.7 [1.000]	6	147747-3
		7.62 [1.000]		2.54 [1.000]	10.16 [1.000]	4	147747-2
		5.08 [1.000]		-	7.62 [1.000]	2	147747-1
FINISH	EIA TAPE WIDTH	D	C	B	A	NO OF POSN	PART NUMBER

THIS DRAWING IS A CONTROLLED DOCUMENT.

DIMENSIONS: mm [INCHES]

TOLERANCES UNLESS OTHERWISE SPECIFIED:

0. PLC	± .005
1. PLC	± .005
2. PLC	± .005
3. PLC	± .005
4. PLC	± .005
ANGLES	± .005

MATERIAL: 1

FINISH: 2-15

APPROVED: J. JOLSON

DATE: 20MAY02

NAME: J. JOLSON

PRODUCT SPEC: 108-25022

APPLICATION SPEC: 114-25018

WEIGHT: -

CUSTOMER DRAWING

SCALE: 6:1

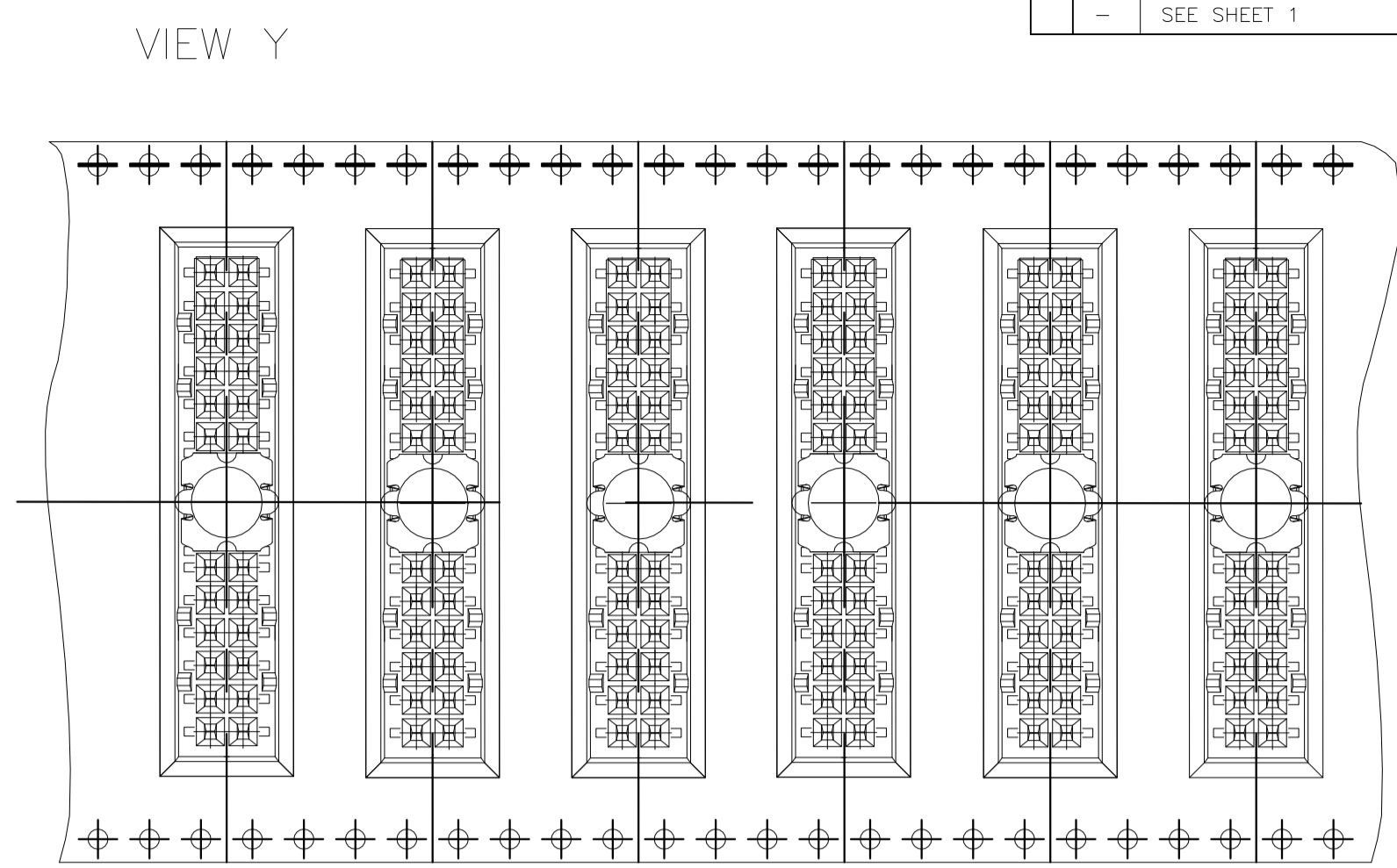
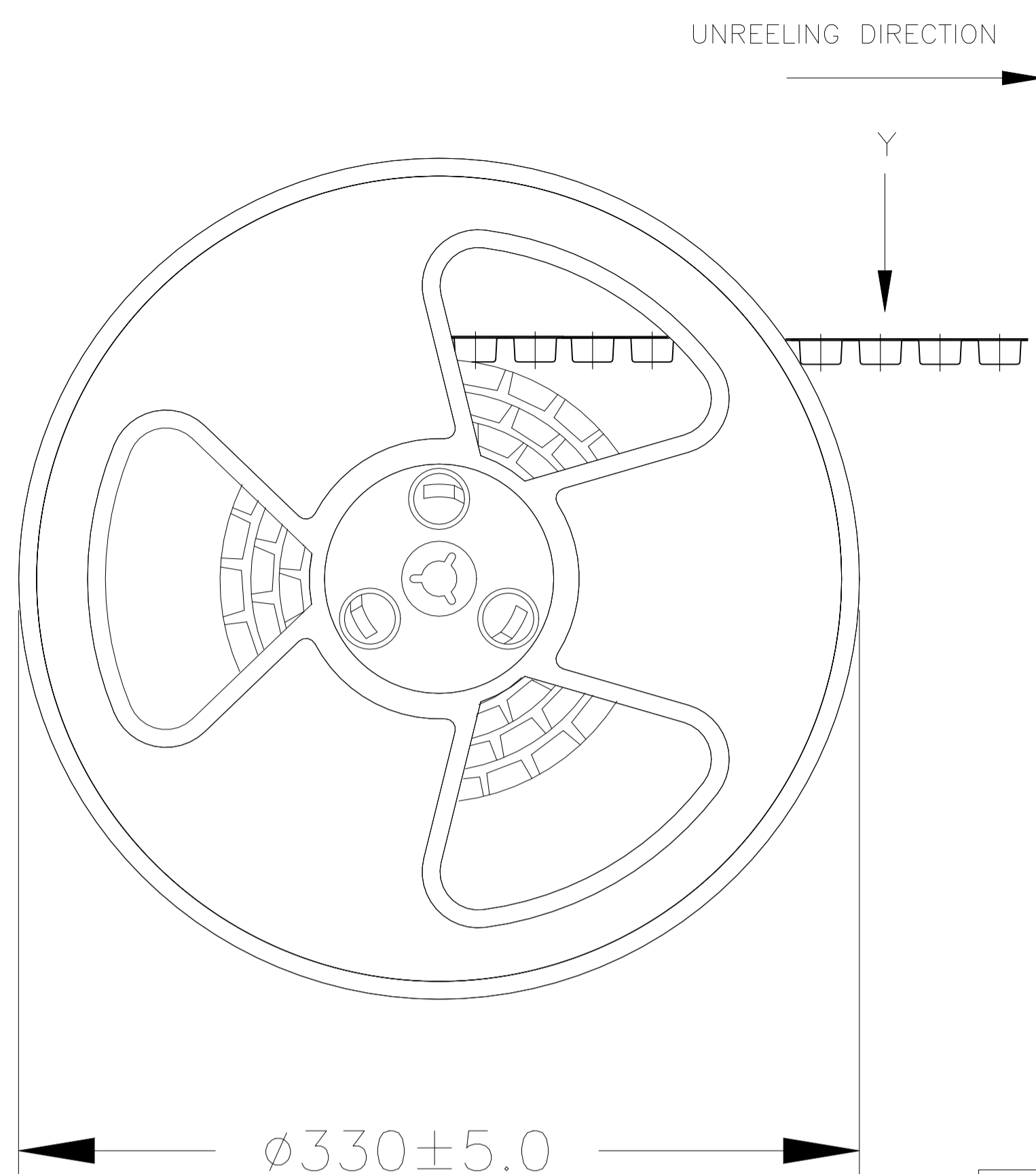
SHEET: 1 of 2

REV: J

STE TE Connectivity Ltd.

RCPT ASSY, MOD IV, DOUBLE ROW, VERTICAL, DUAL ENTRY, .100X.100 C/L, SURFACE MOUNT, AMPMODU

REVISIONS				
REV	DATE	DESCRIPTION	BY	APPV
-	-	SEE SHEET 1	-	-



- 1 HOUSING: GLASS FILLED, FLAME RETARDANT POLYESTER, BLACK CONTACTS: PHOSPHOR BRONZE. VACUUM COVER: STAINLESS STEEL
- 2 CONTACTS: DUPLEX PLATED- 0.76μm[.000030] GOLD IN CONTACT AREA, 3.81-7.62μm [.000150-.000300] BRIGHT TIN-LEAD ON, LEADS, ALL OVER 1.27μm [.000050] MIN NICKEL.
- 3 DIMENSION APPLIES TO HOUSING CAVITY CENTERLINES ONLY.
- 4 POINT OF MEASUREMENT FOR PLATING THICKNESS.
- 5 POINT OF CONTACT DIMENSION.
- 6 MARK PART NUMBER AND DATE CODE IN APPROXIMATE LOCATION SHOWN, EITHER SIDE.
- 7 TOLERANCE IS NON-CUMULATIVE.
- 8 5.5 [.217] MIN TARGET AREA FOR VACUUM PICK-UP COVERS TO BE REMOVED AFTER SOLDERING.
- 9 DATUMS AND BASIC DIMENSIONS ESTABLISHED BY CUSTOMER.
- 10 NO CENTER HOLD DOWNS
- 11 PACKAGED IN TAPES AND REEL PER EIA 481 SPECIFICATIONS.
- 12 FOR 2 POS, DATE CODE IS STAMPED OPPOSITE SIDE OF TE LOGO.
- 13 TE TRADEMARK AND CSA LOGO ARE MOLDED INTO HOUSING.
- 14 NO PART NUMBER MARKING REQUIRED ON THIS PART.
- 15 CONTACTS: DUPLEX PLATED-0.76μm[.000030] GOLD IN CONTACT AREA, 3.81-7.62μm [.000150-.000300] MATTE TIN ON LEADS, ALL OVER 1.27μm [.000050] MIN NICKEL.
- 16 ROHS 2002/95/EC COMPLIANT

15	N/A	106.68 [4.200]	53.34 [2.100]	101.6 [4.000]	109.22 [4.300]	80	18	9-147747-0
15		104.14 [4.100]	50.8 [2.000]	99.06 [3.900]	106.68 [4.200]	78	18	8-147747-9
15		101.6 [4.000]	50.8 [2.000]	96.52 [3.800]	104.14 [4.100]	76	18	8-147747-8
15		99.06 [3.900]	48.26 [1.900]	93.98 [3.700]	101.6 [4.000]	74	18	8-147747-7
15		96.52 [3.800]	48.26 [1.900]	91.44 [3.600]	99.06 [3.900]	72	18	8-147747-6
15		93.98 [3.700]	45.72 [1.800]	88.9 [3.500]	96.52 [3.800]	70	18	8-147747-5
15	120mm	88.9 [3.500]		83.82 [3.300]	91.44 [3.600]	68	18	8-147747-4
15		86.36 [3.400]		81.28 [3.200]	88.9 [3.500]	66	18	8-147747-3
15		83.82 [3.300]		78.74 [3.100]	86.36 [3.400]	64	18	8-147747-2
15		81.28 [3.200]		76.2 [3.000]	83.82 [3.300]	62	18	8-147747-1
15		78.74 [3.100]		71.12 [2.900]	81.28 [3.200]	60	18	8-147747-0
15		76.2 [3.000]		71.12 [2.800]	78.74 [3.100]	58	18	7-147747-9
15		71.12 [2.900]		68.58 [2.700]	76.2 [3.000]	56	18	7-147747-8
15		71.12 [2.800]		66.04 [2.600]	71.12 [2.900]	54	18	7-147747-7
15		68.58 [2.700]		63.5 [2.500]	71.12 [2.800]	52	18	7-147747-6
15		66.04 [2.600]		60.96 [2.400]	68.58 [2.700]	50	18	7-147747-5
15	88mm	63.5 [2.500]		58.42 [2.300]	66.04 [2.600]	48	18	7-147747-4
15		60.96 [2.400]		55.88 [2.200]	63.5 [2.500]	46	18	7-147747-3
15		58.42 [2.300]		53.34 [2.100]	60.96 [2.400]	44	18	7-147747-2
15		55.88 [2.200]		50.8 [2.000]	58.42 [2.300]	42	18	7-147747-1
15		53.34 [2.100]		48.26 [1.900]	55.88 [2.200]	40	18	7-147747-0
15		50.8 [2.000]		45.72 [1.800]	53.34 [2.100]	38	18	6-147747-9
15		48.26 [1.900]		43.18 [1.700]	50.8 [2.000]	36	18	6-147747-8
15	72mm	45.72 [1.800]		40.64 [1.600]	48.26 [1.900]	34	18	6-147747-7
15		43.18 [1.700]		38.1 [1.500]	45.72 [1.800]	32	18	6-147747-6
15		40.64 [1.600]		35.56 [1.400]	43.18 [1.700]	30	18	6-147747-5
15		38.1 [1.500]		33.02 [1.300]	40.64 [1.600]	28	18	6-147747-4
15		35.56 [1.400]		30.48 [1.200]	38.1 [1.500]	26	18	6-147747-3
15		33.02 [1.300]		27.94 [1.100]	35.56 [1.400]	24	18	6-147747-2
15		30.48 [1.200]		25.4 [1.000]	33.02 [1.300]	22	18	6-147747-1
15		27.94 [1.100]		22.86 [.900]	30.48 [1.200]	20	18	6-147747-0
15		25.4 [1.000]		20.32 [.800]	27.94 [1.100]	18	18	5-147747-9
15		22.86 [.900]		17.78 [.700]	25.4 [1.000]	16	18	5-147747-8
15		20.32 [.800]		15.24 [.600]	22.86 [.900]	14	18	5-147747-7
15		17.78 [.700]		12.7 [.500]	20.32 [.800]	12	18	5-147747-6
15		15.24 [.600]		10.16 [.400]	17.78 [.700]	10	18	5-147747-5
15		12.7 [.500]		7.62 [.300]	15.24 [.600]	8	18	5-147747-4
15		10.16 [.400]		5.08 [.200]	12.7 [.500]	6	18	5-147747-3
15		7.62 [.300]		2.54 [.100]	10.16 [.400]	4	18	5-147747-2
15	24mm	5.08 [.200]		-	7.62 [.300]	2	18	5-147747-1
15	FINISH	EIA TAPE WIDTH	D	C	B	A	NO OF POSN	PART NUMBER

THIS DRAWING IS A CONTROLLED DOCUMENT.

DIMENSIONS: mm [INCHES]

TOLERANCES UNLESS OTHERWISE SPECIFIED:

0. PLC	± .005
1. PLC	± .005
2. PLC	± .005
3. PLC	± .005(.13)
4. PLC	± 0.005(.013)
ANGLES	± .005

MATERIAL: 1

FINISH: 2-15

DATE: 20MAY02

DESIGNED BY: M. BINNER

CHECKED BY: J. OLSON

APPROVED BY: J. OLSON

PRODUCT SPEC: 108-25022

APPLICATION SPEC: 114-25018

WEIGHT: -

CUSTOMER DRAWING

SCALE: 1:1

SHEET: 2 of 2

REV: J

RESTRICTED TO

RCPT ASSY, MOD IV, DOUBLE ROW, VERTICAL, DUAL ENTRY, .100X.100 C/L, SURFACE MOUNT, AMPMODU

TE Connectivity Ltd.