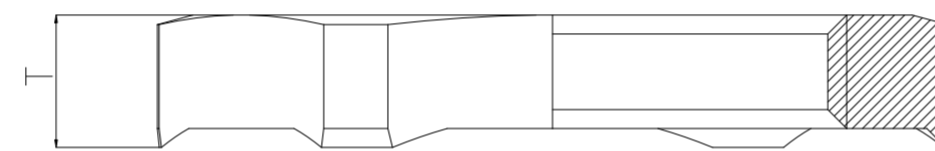
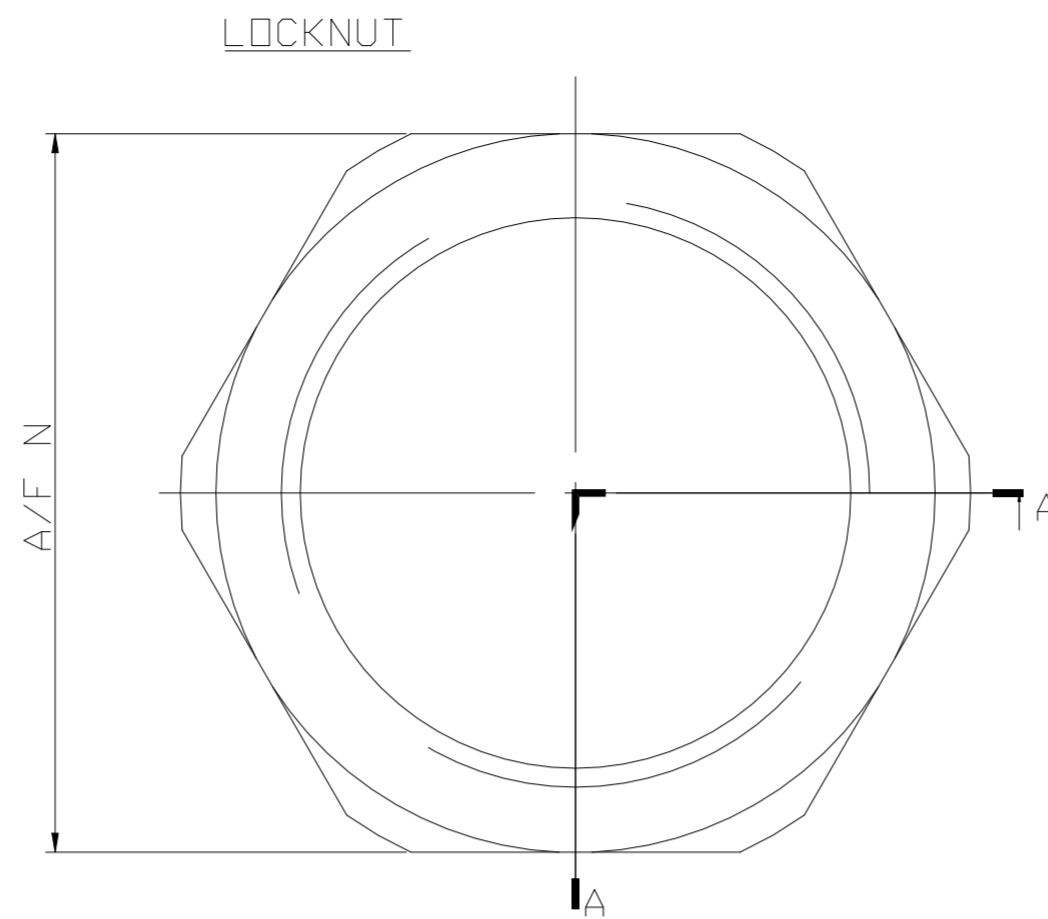
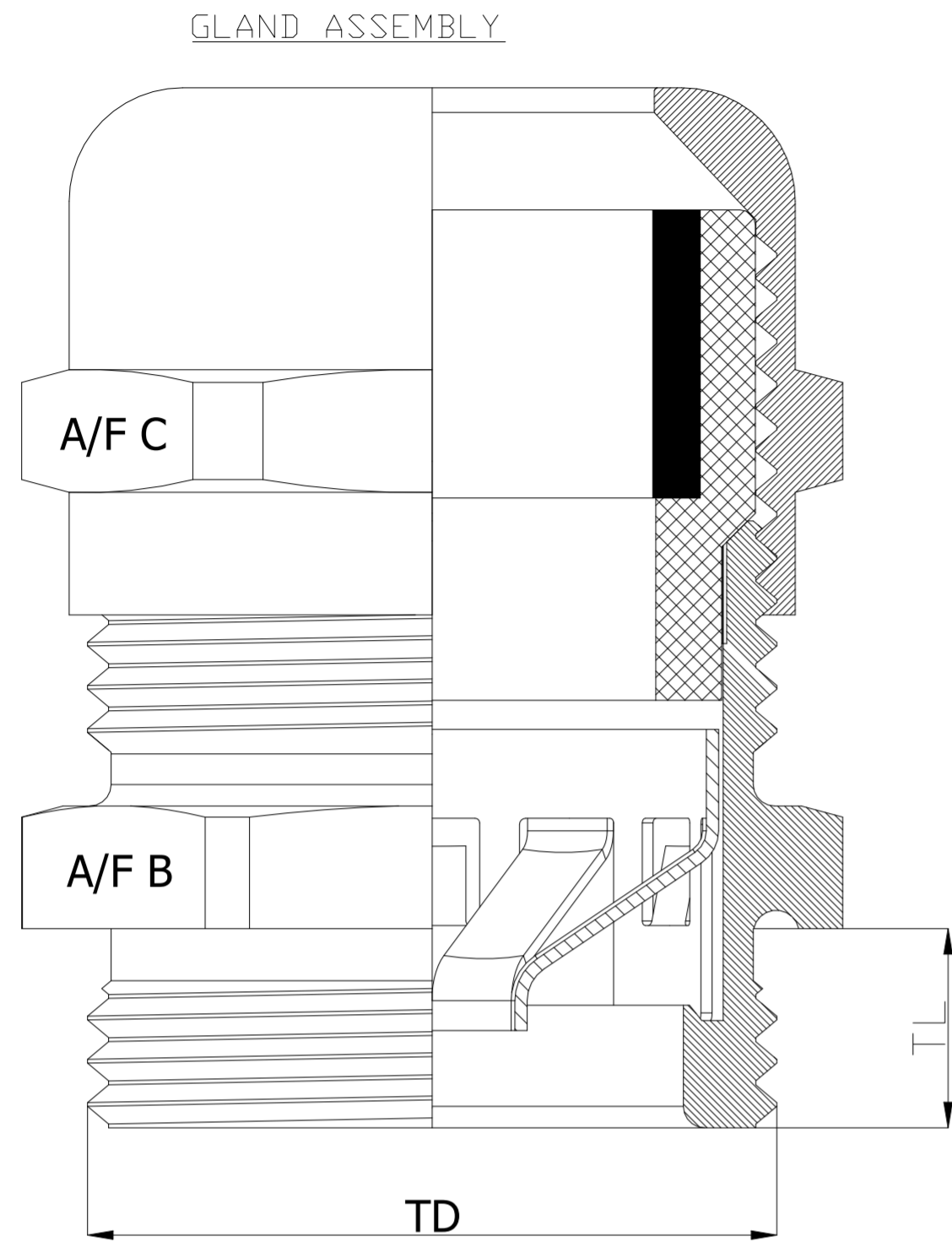


REVISIONS					
P	LTR	DESCRIPTION	DATE	DWN	APVD
E3		REVISED PER ECR-20-015916	11NOV2020	GK	RI



- NOTES:
- FOR TECHNICAL DATA REFER TO YOUR LOCAL TE SALES OFFICE.
 - ALL DIMENSIONS ARE NOMINAL FOR REFERENCE ONLY UNLESS OTHERWISE STATED.
 - FOR PACKAGING INFORMATION SEE PACKING SPECIFICATION 107-3315 TABLE ABOVE SHOWS PACKING LABEL DETAILS.
 - 1 ASSEMBLY COMPRISES OF 1 OFF GLAND & CAP (AS SHOWN) INCLUDING NEOPRENE SEAL.

SIZE	TD mm	TL mm	T mm	Min. Shield Diameter mm	A/F BODY	A/F CAP	A/F NUT	Clamping Range ø mm	
M12x1,5	12.0	12.0	3.3	2.5	14	14	15	3.0	6.5
M16x1,5	16.0	12.0	3.5	4.0	20	20	19	5.0	10.0
M20x1,5	20.0	12.0	3.7	5.0	22	22	24	6.0	12.0
M25x1,5	25.0	12.0	3.7	8.5	27	24	30	10.0	14.0
M32x1,5	32.0	15.0	4.0	11.0	34	30	36	13.0	18.0
M40x1,5	40.0	15.0	4.6	16.0	43	40	46	18.0	25.0
M50x1,5	50.0	15.0	5.6	20.0	55	50	60	22.0	32.0
M63x1,5	63.0	18.0	6.7	31.0	68	64	70	34.0	44.0

Bag with TE Label & Instruction Sheet	1	Metric EMC Gland M63x1.5	Nickel Plate	1478884-8
	1	Metric EMC Gland M50x1.5	Nickel Plate	1478884-7
	1	Metric EMC Gland M40x1.5	Nickel Plate	1478884-6
	1	Metric EMC Gland M32x1.5	Nickel Plate	1478884-5
	5	Metric EMC Gland M25x1.5	Nickel Plate	1478884-4
	5	Metric EMC Gland M20x1.5	Nickel Plate	1478884-3
	5	Metric EMC Gland M16x1.5	Nickel Plate	1478884-2
	5	Metric EMC Gland M12x1.5	Nickel Plate	1478884-1
	Packaging Style	Bag Qty	Description	Finish

Part No.	Packing Label Description Line 1	Packing Label Description Line 2	Packing Label Description Line 3	Packing Label Description Line 4	Active / Obsolete
1478884-1	EMC Gland with Locknut	M12x1.5 (Long Thread 12mm)	Brass Nickel Plated	IP 68	
1478884-2	EMC Gland with Locknut	M16x1.5 (Long Thread 12mm)	Brass Nickel Plated	IP 68	
1478884-3	EMC Gland with Locknut	M20x1.5 (Long Thread 12mm)	Brass Nickel Plated	IP 68	
1478884-4	EMC Gland with Locknut	M25x1.5 (Long Thread 12mm)	Brass Nickel Plated	IP 68	
1478884-5	EMC Gland with Locknut	M32x1.5 (Long Thread 15mm)	Brass Nickel Plated	IP 68	
1478884-6	EMC Gland with Locknut	M40x1.5 (Long Thread 15mm)	Brass Nickel Plated	IP 68	
1478884-7	EMC Gland with Locknut	M50x1.5 (Long Thread 15mm)	Brass Nickel Plated	IP 68	Obsolete
1478884-8	EMC Gland with Locknut	M63x1.5 (Long Thread 18mm)	Brass Nickel Plated	IP 68	

THIS DRAWING IS A CONTROLLED DOCUMENT.

DWN	P.Bates	6/11/02
CHK	F.W.King	6-11-02
APVD	F.W.King	6-11-02

TE TE Connectivity

NAME: EMC GLAND AND LOCKNUT
BRASS - NICKEL PLATE (M12 - M63)

SIZE	A2	CAGE CODE	00779	DRAWING NO	C=1478884	RESTRICTED TO	-
WEIGHT	-	SCALE	1:1	SHEET	1 of 1	REV	E3

CUSTOMER DRAWING