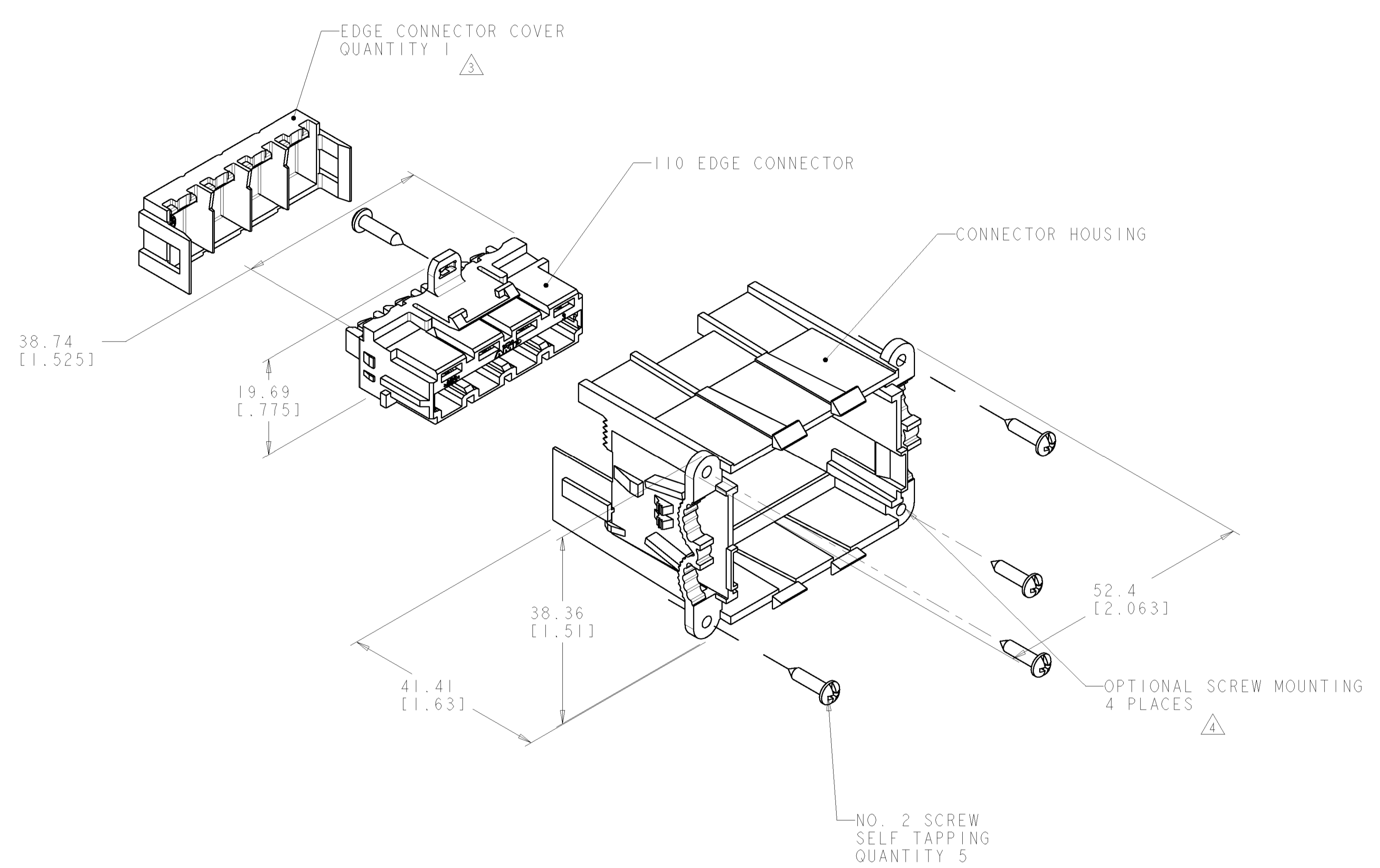
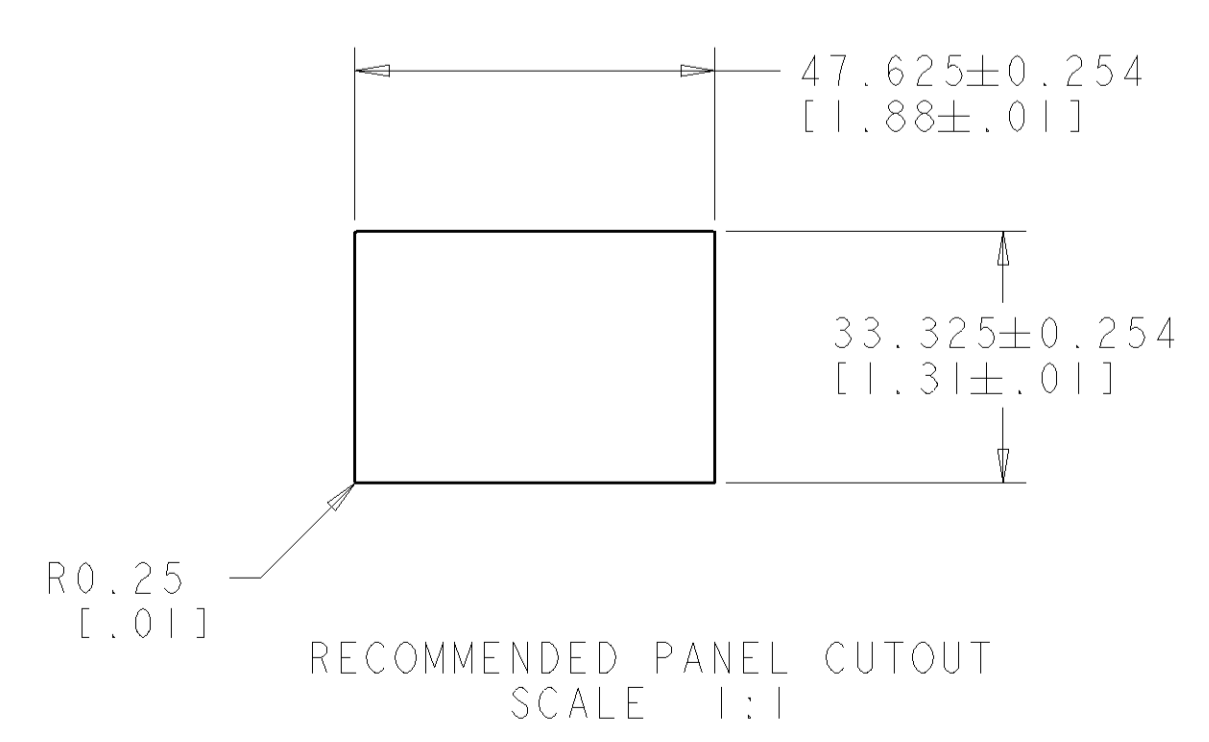


LOC	DIST	REVISIONS					
HM	00	P	LTR	DESCRIPTION	DATE	DWN	APVD
		A		RLSD - NSD02-080	22NOV2002	LS	CD
		B		REV-EC 0B40-0106-03	09JUN03	LH	CD
		C		REV: EC 0B40-0238-03	28OCT03	GG	CD
		D		REV-EC 0B40-0187-04	25AUG2004	LH	CC



- 1 DIMENSIONS ARE MAXIMUM UNLESS OTHERWISE SPECIFIED.
- 2 MATERIAL:
 HOUSING - ABS MOLDING COMPOUND, BLACK, NICKEL PLATED (Ni+Cu+Ni).
 EDGE CONNECTOR HOUSING - ABS MOLDED COMPOUND, NICKEL PLATED.
 EDGE CONNECTOR COVER - ABS MOLDING COMPOUND, NICKEL PLATED (Ni+Cu+Ni).
 EDGE CONNECTOR TERMINALS - PHOSPHOR BRONZE WITH GOLD PLATE OVER NICKEL PLATE IN CONTACT AREA AND TIN OVER NICKEL UNDERPLATE IN TERMINATION AREA.
 CONNECTION MODULES - POLYCARBONATE, GRAY
 SCREWS- ZINC PLATED CARBON STEEL.
- 3 KIT SHIPPED NOT ASSEMBLED EXCEPT FOR EDGE CONNECTOR IS ASSEMBLED TO HOUSING.
- 4 APPLICATION:
 4.1 THE CONNECTOR HOUSING ACCOMODATES A RANGE OF PANEL THICKNESSES DEPENDING ON THE METHOD OF SECURING THE CONNECTOR HOUSING TO THE PANEL AS FOLLOWS.
- A. CONNECTOR HOUSING SNAPPED INTO A PANEL: 1.02-2.28[.040-.090] THICK PANEL ALLOWABLE BUT 1.52-2.29 [.060-.090] IS RECOMMENDED.
- B. TWO NO.2 X 9.52[.375] LONG, PAN HEAD SELF TAPPING SCREWS SUPPLIED WITH KIT MAY BE USED IN DIAGONAL LOCATIONS TO PROVIDE THE BEST FIT TO PANEL.



1479317-1
PART NUMBER

<small>THIS DRAWING IS UNPUBLISHED. RELEASED FOR PUBLICATION. ALL RIGHTS RESERVED. THIS DRAWING IS THE PROPERTY OF TYCO ELECTRONICS CORPORATION. IT IS TO BE USED ONLY FOR THE PURPOSES AND CONDITIONS SPECIFIED IN THE ORDER. IT IS NOT TO BE REPRODUCED OR TRANSMITTED IN ANY FORM OR BY ANY MEANS, ELECTRONIC OR MECHANICAL, WITHOUT PERMISSION IN WRITING FROM TYCO ELECTRONICS CORPORATION.</small>		DWN L. SMITH 22NOV2002 CHK G. GARRETT 03JAN2003 APVD C. DOOLEY 03JAN2003	tyco Electronics Tyco Electronics Harrisburg, PA 17105-3608
DIMENSIONS: MM [INCHES]	TOLERANCES UNLESS OTHERWISE SPECIFIED: 0 PLC ± 1 PLC ± 2 PLC ± 3 PLC ± 4 PLC ± ANGLES ± FINISH	NAME KIT, WALLBOX, SINGLE, UNSHIELDED, ACO, CAT 6 PRODUCT SPEC APPLICATION SPEC WEIGHT CUSTOMER DRAWING	SIZE A1 CAGE CODE 00779 DRAWING NO 1479317 SCALE 2:1 SHEET 1 OF 1 REV D