

4

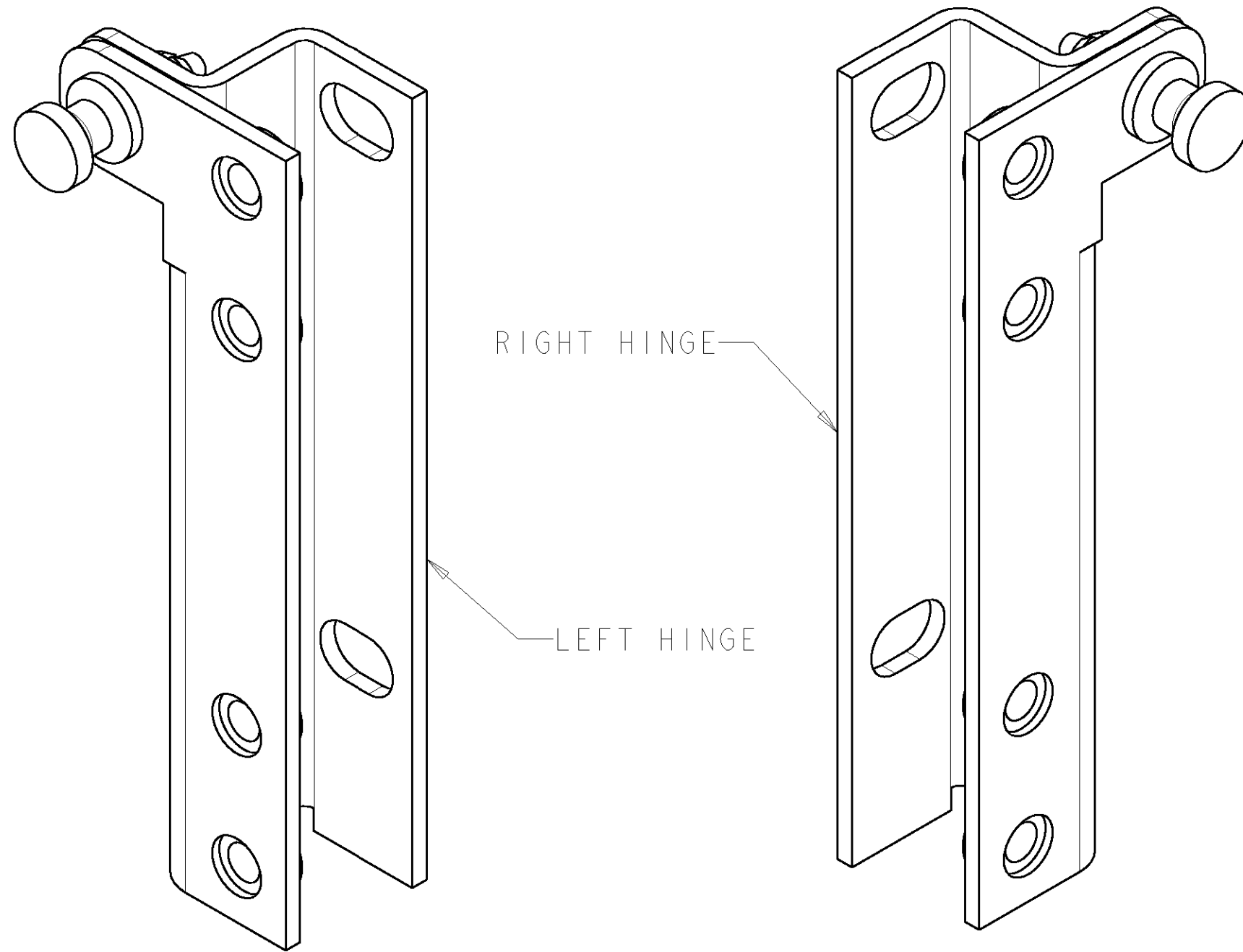
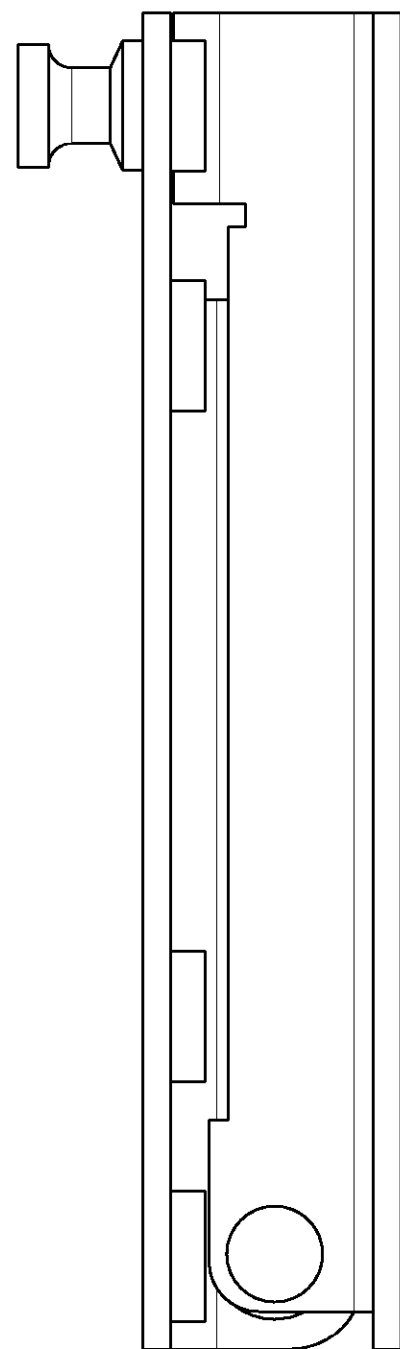
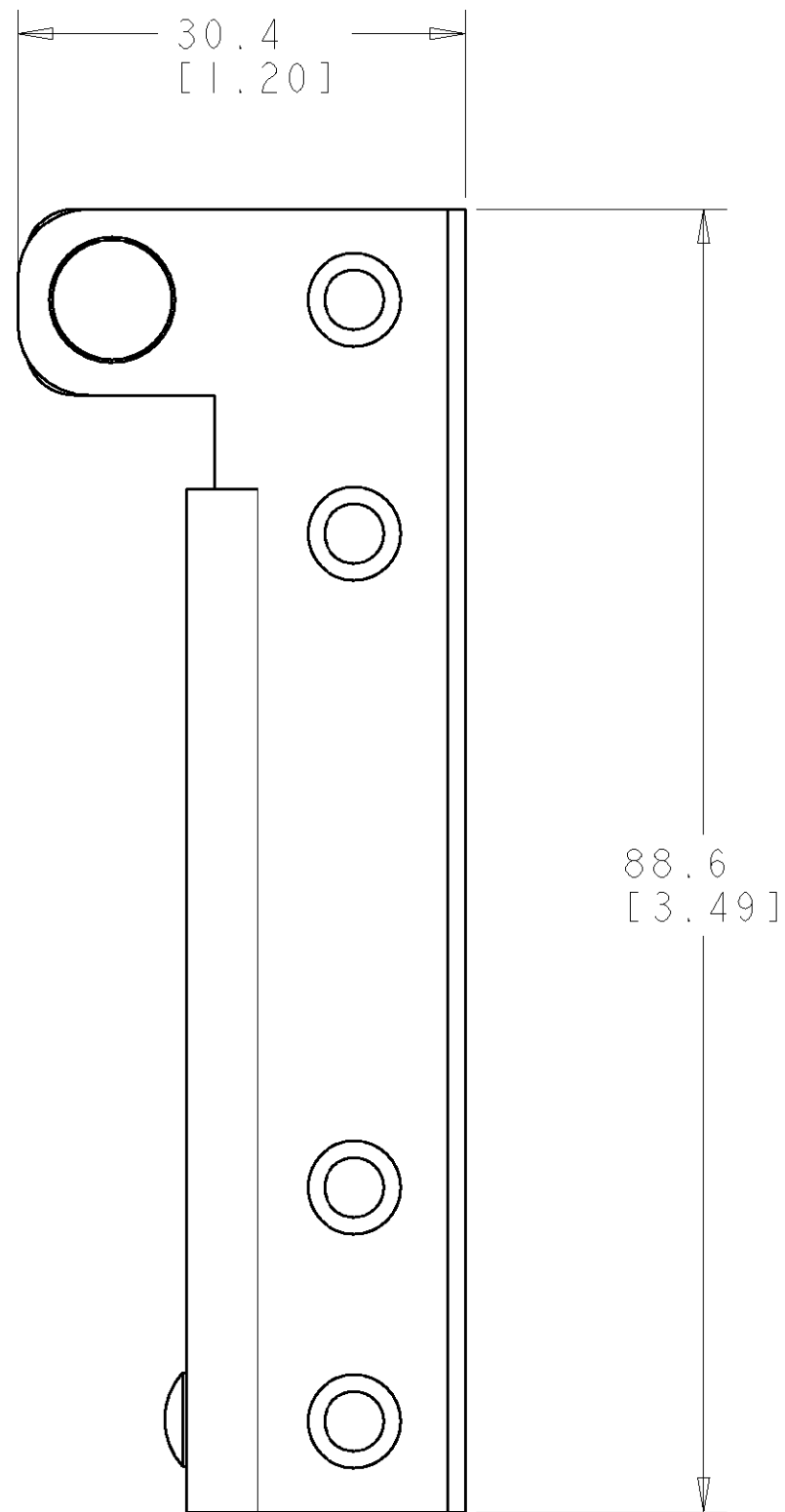
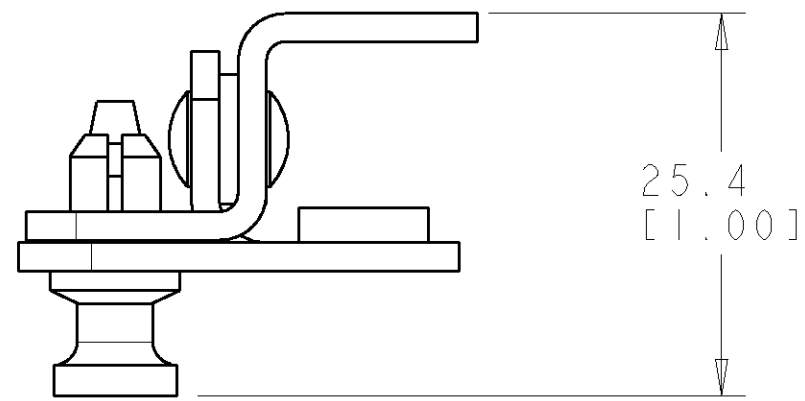
3

2

1

THIS DRAWING IS UNPUBLISHED. RELEASED FOR PUBLICATION 20
 © COPYRIGHT 20 BY TYCO ELECTRONICS CORPORATION. ALL RIGHTS RESERVED.

LOC	DIST	REVISIONS					
HM	00	P	LTR	DESCRIPTION	DATE	DWN	APVD
		0		RLSD; NPR NSD02-129	18MAR03	GG	SH
		A		REV-EC 0B40-0297-03	15DEC03	LH	SH



1. MATERIAL: STEEL, MILD 1.85 [.073] THICK.
2. ALL DIMENSIONS SHOWN ARE NOMINAL AND ARE TYPICAL FOR LEFT AND RIGHT HINGE.
3. APPLICATION NOTE: HINGE KITS DESIGNED TO BE USED IN CONJUNCTION WITH WIRE MANAGEMENT PANEL 1479399-1. HINGED KITS MAY NOT BE STACKED END TO END WITHOUT ALLOWING APPROXIMATELY .50 INCH BETWEEN UPPER AND LOWER HINGES (1 RACK HOLE SPACE).
4. FOUR, .50 INCH 12-24 SCREWS AND FOUR .50 INCH 10-32 SCREWS PROVIDED.

1479402-1
PART NUMBER

<small>THIS DRAWING IS A CONTROLLED DOCUMENT FOR TYCO ELECTRONICS CORPORATION IT IS SUBJECT TO CHANGE AND THE CONTROLLING ENGINEERING ORGANIZATION SHOULD BE CONTACTED FOR THE LATEST REVISION.</small>		DWN G. GARRETT 18MAR03	tyco Tyco Electronics Electronics Harrisburg, PA 17105-3608	
DIMENSIONS: MM [INCHES]		CHK S. HERNDON 18MAR03	NAME LEFT HINGE, 2U, SUBASSY HINGED BRACKET KIT	
TOLERANCES UNLESS OTHERWISE SPECIFIED: 0 PLC ± 1 PLC ± 2 PLC ± 3 PLC ± 4 PLC ± ANGLES ± FINISH		APVD S. HERNDON 18MAR03	PRODUCT SPEC APPLICATION SPEC WEIGHT CUSTOMER DRAWING	
MATERIAL 		SIZE A2	CAGE CODE 00779	DRAWING NO. 1479402
		RESTRICTED TO	SCALE	SHEET OF REV