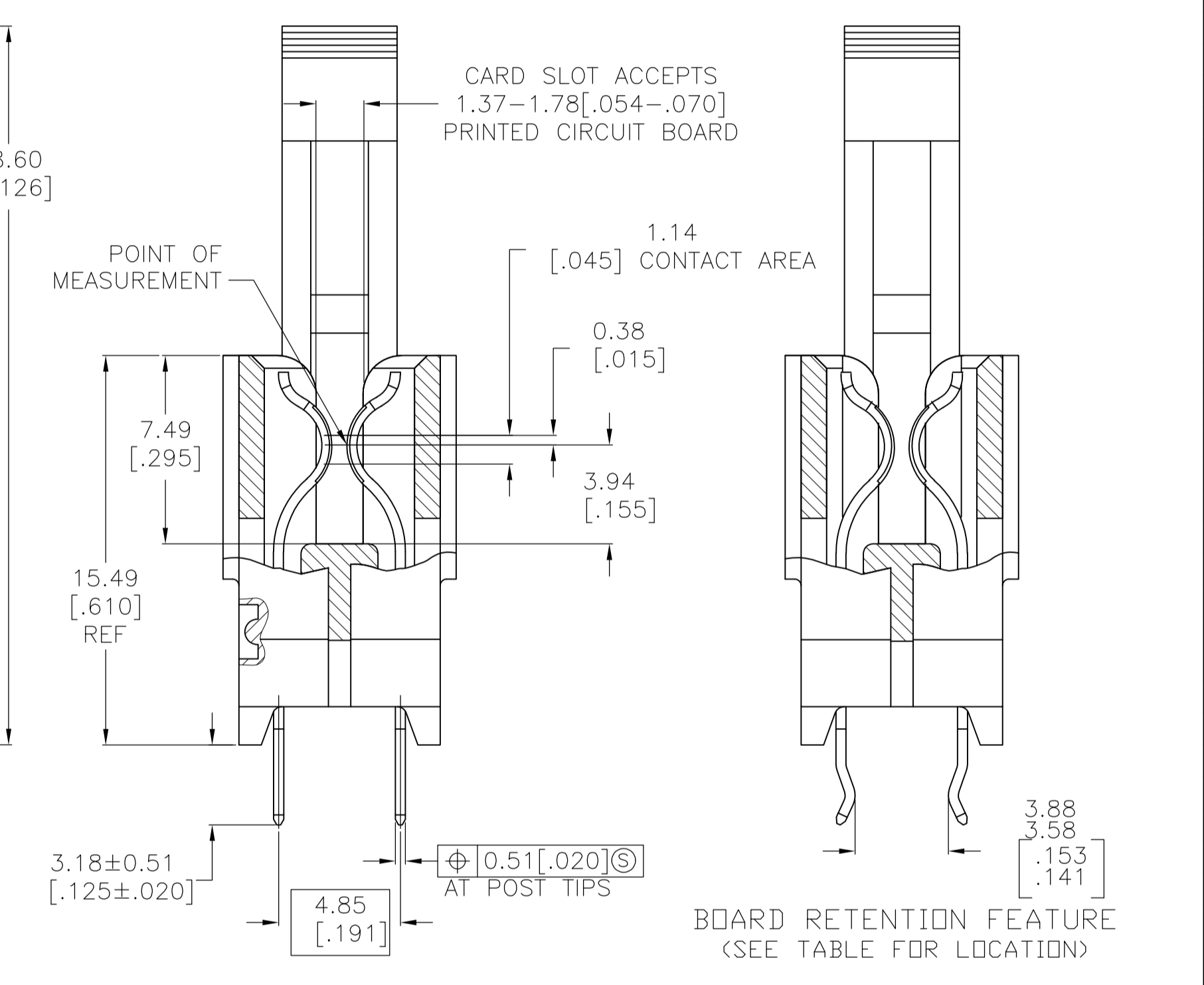


- MATERIAL:  
HOUSING: GLASS FILLED POLYESTER; COLOR: BLACK  
CONTACT: HIGH CONDUCTIVITY COPPER
- FINISH:  
(SEE TABLE) GOLD PLATE IN CONTACT AREA,  
0.00254[.000100] MIN TIN-LEAD ON SOLDER POSTS, ALL  
OVER 0.00127[.000050] MIN NICKEL
- 0.00038[.000015] MIN
- 0.00076[.000030] MIN
- AMP LOGO, TE PART NUMBER, DATE CODE AND CSA LOGO INK  
STAMPED WHITE (HOT STAMPED OR LAZER PRINTED) IN THE APPROXIMATE  
AREA SHOWN, EITHER SIDE PERMISSIBLE, WHEN HOUSING SIZE PERMITS
- DATUMS AND BASIC DIMENSIONS ESTABLISHED BY CUSTOMER
- CONNECTORS SHOWN ARE USED IN APPLICATIONS WITH VRM MODULES WEIGHING  
3 OUNCES OR LESS. ALTERNATE CONNECTOR AND LATCH METHOD IS AVAILABLE FOR  
VRM MODULES WEIGHING UP TO 6 OUNCES.
- CAUTION: LATCHES ARE INTENDED FOR RETENTION OF PC BOARD TO CONNECTOR.  
DO NOT ATTEMPT TO FULLY EJECT PC BOARD FROM CONNECTOR WHILE DISENGAGING  
LATCHES. DAMAGE TO LATCHES AND/OR CONNECTOR MAY OCCUR
- THE LATCH ON PART NUMBER 1489165-5 IS DESIGNED WITH A HIGHER OPENING  
FORCE THAN PART NUMBER 1489165-1

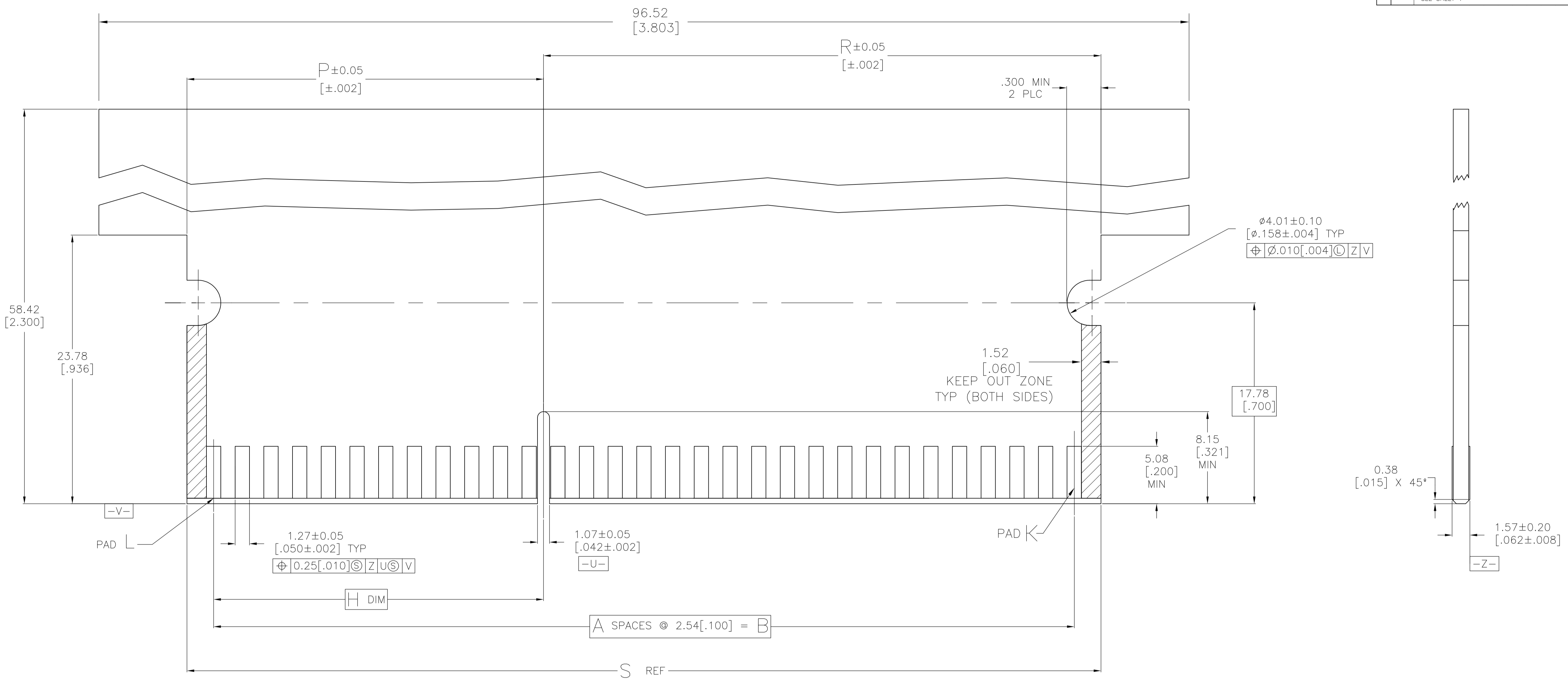


<b>OBsolete</b>	1489165-2
	PART NUMBER

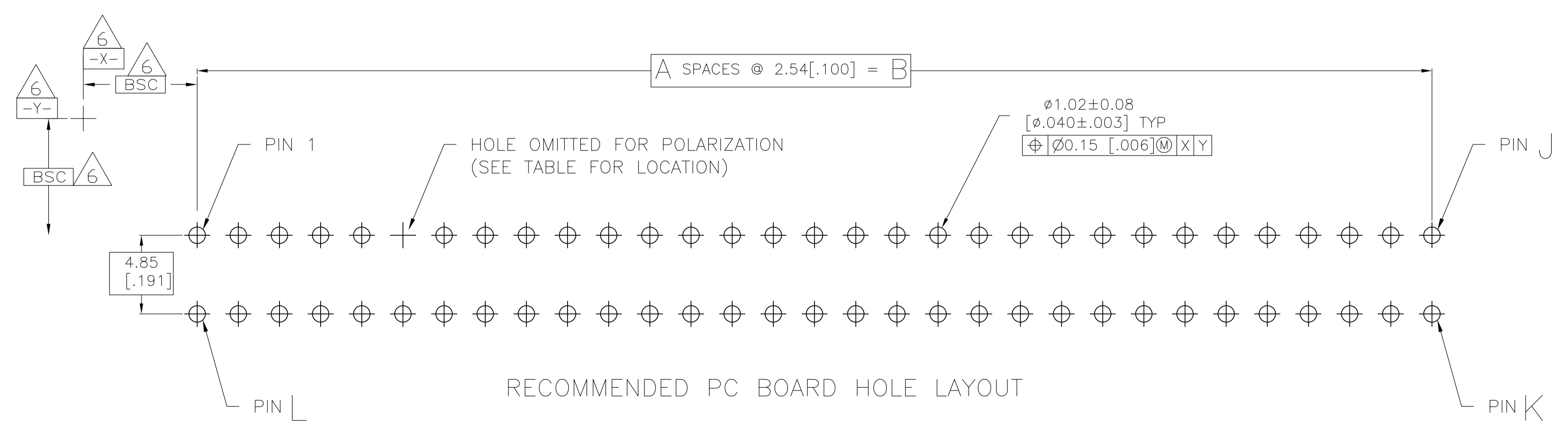
BLACK	9.1, +12V	2,3,29,30,33,34,60,61	12 & 13	6	4	80.92 [3.183]	49.35 [1.943]	31.50 [1.240]	62	32	31	29.21 [1.150]	97.10 [3.823]	113.00 [4.449]	99.92 [3.934]	90.02 [3.544]	82.52 [3.249]	76.20 [3.000]	30	31	1489165-6
WHITE	9.1, +12V	2,3,29,30,33,34,60,61	12 & 13	6	3	80.92 [3.183]	49.35 [1.943]	31.50 [1.240]	62	32	31	29.21 [1.150]	97.10 [3.823]	113.00 [4.449]	99.92 [3.934]	90.02 [3.544]	82.52 [3.249]	76.20 [3.000]	30	31	1489165-5
BLACK	-	2,3,12,13,16,17,26,27	24 & 25	28	3	37.67 [1.483]	26.49 [1.043]	11.18 [.440]	28	15	14	8.89 [.350]	53.92 [2.123]	69.82 [2.749]	56.74 [2.234]	46.84 [1.844]	39.34 [1.549]	33.02 [1.300]	13	14	1489165-4
BLACK	9.05, +12V	2,3,29,30,33,34,60,61	11 & 12	6	3	80.92 [3.183]	51.89 [2.043]	28.96 [1.140]	62	32	31	26.67 [1.050]	97.10 [3.823]	113.00 [4.449]	99.92 [3.934]	90.02 [3.544]	82.52 [3.249]	76.20 [3.000]	30	31	1489165-3
BLACK	9.1, +12V	2,3,29,30,33,34,60,61	12 & 13	6	3	80.92 [3.183]	49.35 [1.943]	31.50 [1.240]	62	32	31	29.21 [1.150]	97.10 [3.823]	113.00 [4.449]	99.92 [3.934]	90.02 [3.544]	82.52 [3.249]	76.20 [3.000]	30	31	1489165-1
LATCH COLOR	VRM DESIGNATION	RETENTION FEATURE LOCATION	MOLDED-IN KEYING FEATURE LOCATED BETWEEN PINS	OMITTED PIN AND HOLE	FINISH	S	R	P	L	K	J	H	G	F	E	D	C	B	A	NO OF DUAL POSN	PART NUMBER

THIS DRAWING IS A CONTROLLED DOCUMENT.

DIMENSIONS: mm [INCHES]	TOLERANCES UNLESS OTHERWISE SPECIFIED:	DIN NF/LA.MAYER 26MAR2008	APVD S.FLICKINGER 26MAR2008	NAME CONNECTOR ASSEMBLY, HIGH CURRENT CARD EDGE, DUAL POSITION, 2.54[.100] CENTERLINE
0 PLC ± -	1 PLC ± -	2 PLC ± 0.13[.005]	3 PLC ± -	4 PLC ± -
ANGLES ± 2°				
MATERIAL SEE NOTE 1	FINISH SEE NOTE 2	SIZE A1	SCALE 5:1	RESTRICTED TO
		WEIGHT -	CAGE CODE 00779	DRAWING NO 1489165
			CUSTOMER DRAWING	SHEET 1 OF 2



RECOMMENDED MATING BOARD EDGE CONFIGURATION



RECOMMENDED PC BOARD HOLE LAYOUT

THIS DRAWING IS A CONTROLLED DOCUMENT.		DIN NF/LA.MAYER 26MAR2008		Tyco Electronics Tyco Electronics Corporation Harrisburg, PA 17105-3608	
DIMENSIONS: mm [INCHES]		TOLERANCES UNLESS OTHERWISE SPECIFIED:		APVD S.FLICKINGER 26MAR2008	
0 PLC	± -	1 PLC	± -	NAME	
2 PLC	± -	3 PLC	± 0.13[.005]	CONNECTOR ASSEMBLY, HIGH CURRENT CARD EDGE, DUAL POSITION, 2.54[.100] CENTERLINE	
4 PLC	± -	ANGLES	± 2°	APPLICATION SPEC	
MATERIAL SEE NOTE 1		FINISH SEE NOTE 2		SIZE 114-13018	RESTRICTED TO
				WEIGHT	A1 00779 C=1489165
CUSTOMER DRAWING				SCALE 5:1	SHEET 2 OF 2