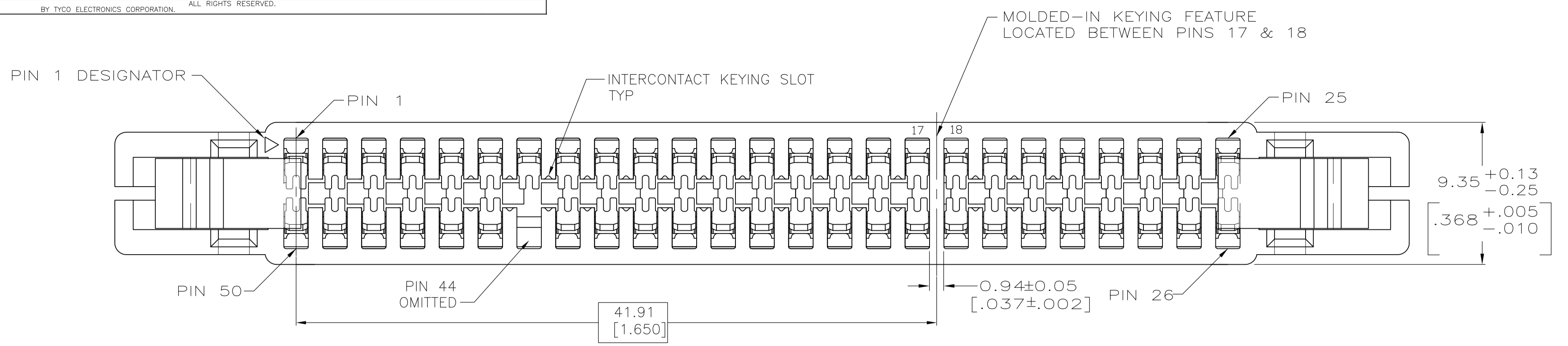
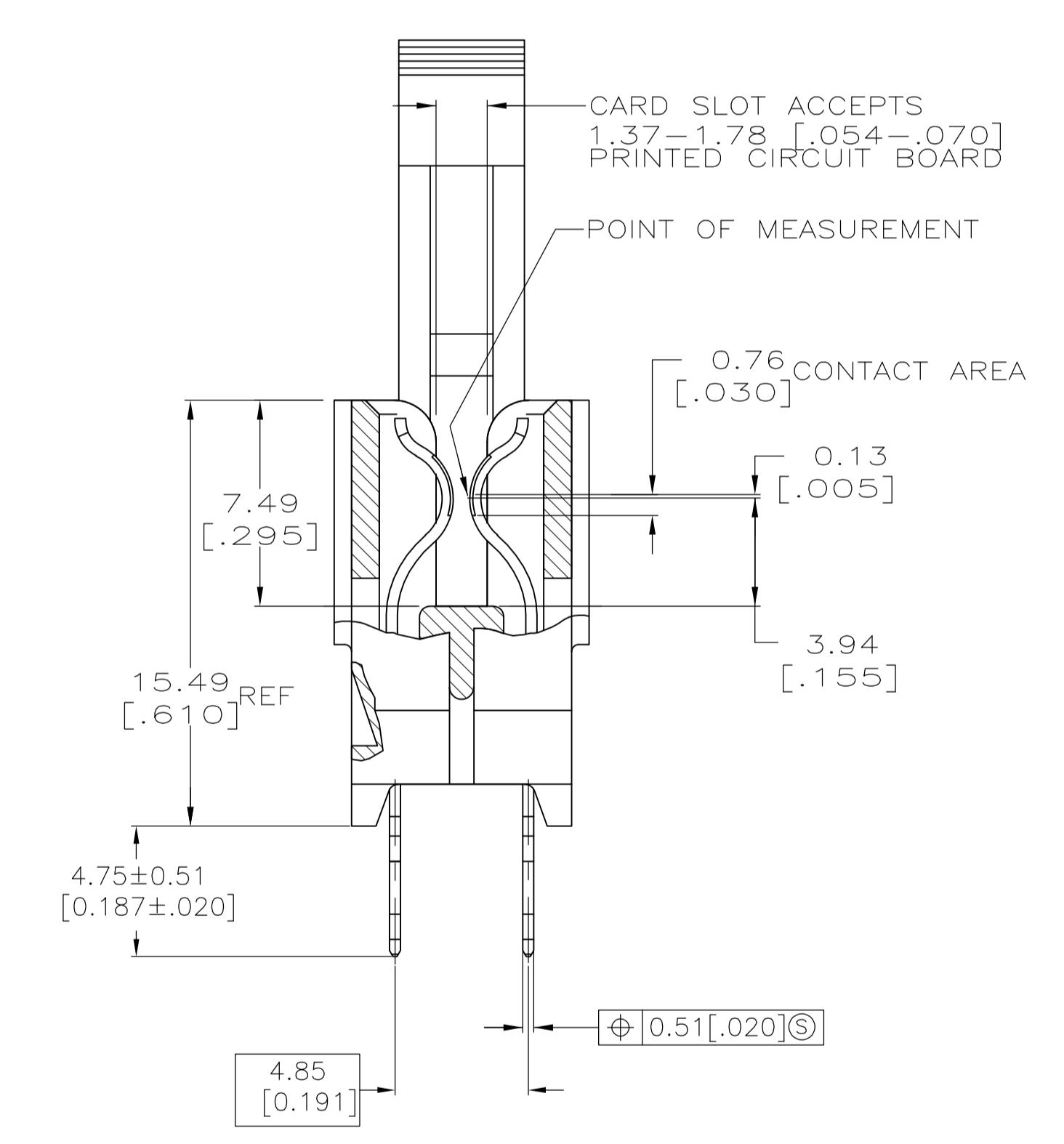
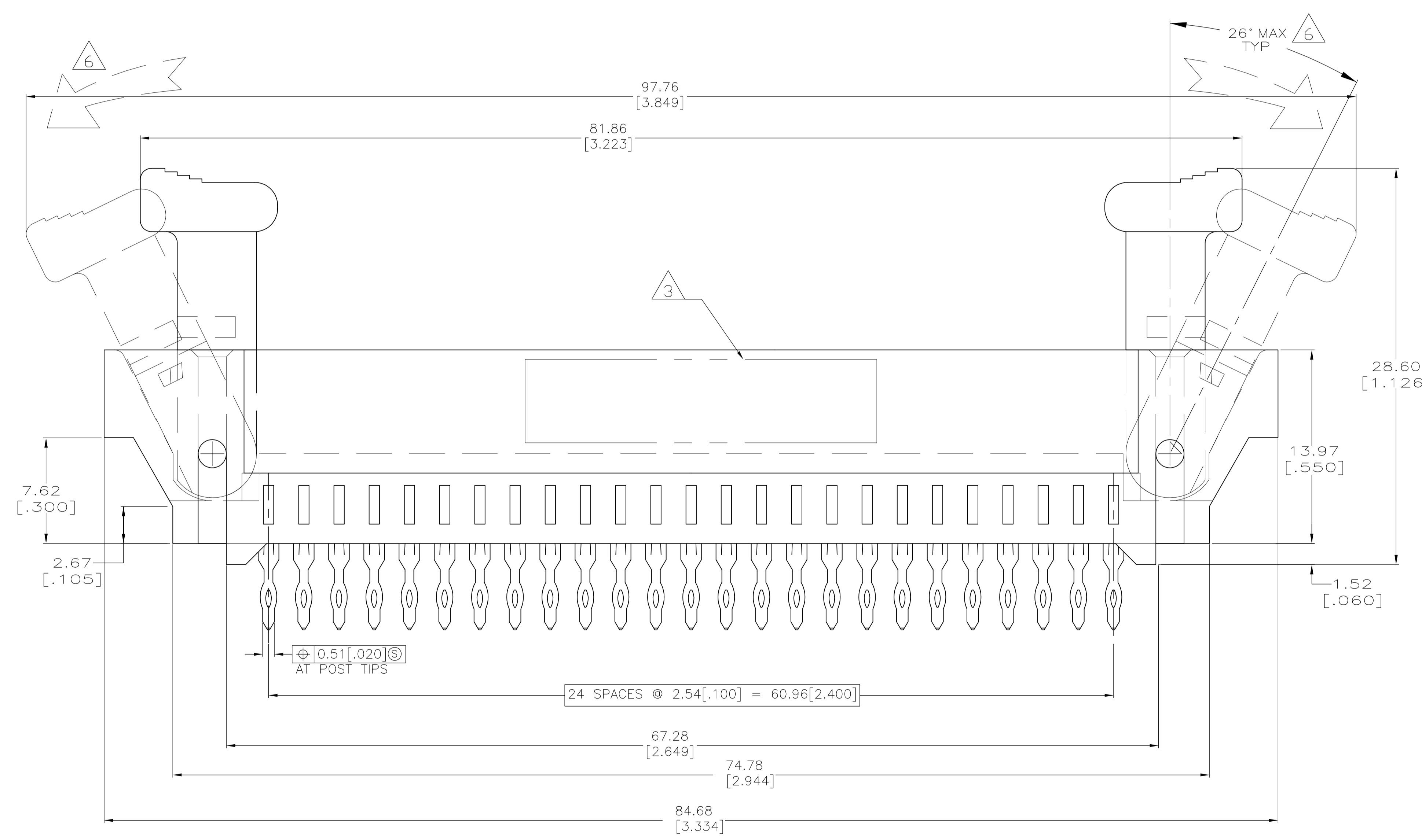


LOC		DIST		REVISIONS			
F	LTR	DESCRIPTION	DATE	DWN	APVD		
J		ECO-07-026535	26MAR2008	LAM	AWF		



- MATERIAL:
HOUSING: GLASS FILLED POLYESTER, COLOR: BLACK.
CONTACT: HIGH CONDUCTIVITY COPPER ALLOY
LATCH: GLASS FILLED POLYESTER, COLOR: BLACK
- FINISH:
0.00076[.000030] MIN GOLD PLATE IN CONTACT AREA,
0.00254[.000100] MIN MATTE TIN ON SOLDER POSTS, ALL
OVER 0.00127[.000050] MIN NICKEL
- AMP LOGO, TE PART NUMBER, DATE CODE AND CSA LOGO INK STAMPED WHITE (HOT STAMPED OR LAZER PRINTED) IN THE APPROXIMATE AREA SHOWN, EITHER SIDE PERMISSABLE, WHEN HOUSING SIZE PERMITS
- DATUMS AND BASIC DIMENSIONS ESTABLISHED BY CUSTOMER
- CONNECTORS SHOWN ARE USED IN APPLICATIONS WITH VRM MODULES WEIGHING 3 OUNCES OR LESS. ALTERNATE CONNECTOR AND LATCH METHOD IS AVAILABLE FOR VRM MODULES WEIGHING UP TO 6 OUNCES.
- CAUTION: LATCHES ARE INTENDED FOR RETENTION OF PC BOARD TO CONNECTOR, DO NOT ATTEMPT TO FULLY EJECT PC BOARD FROM CONNECTOR WHILE DISENGAGING LATCHES. DAMAGE TO LATCHES AND OR CONNECTOR MAY OCCUR
- RECOMMENDED FINISH HOLE SIZES:
TIN PLATED HOLE - $\varnothing 1.02 \pm 0.08 [\varnothing 0.40 \pm 0.03]$
GOLD PLATED HOLE - $\varnothing 1.07 \pm 0.05 [\varnothing 0.42 \pm 0.02]$

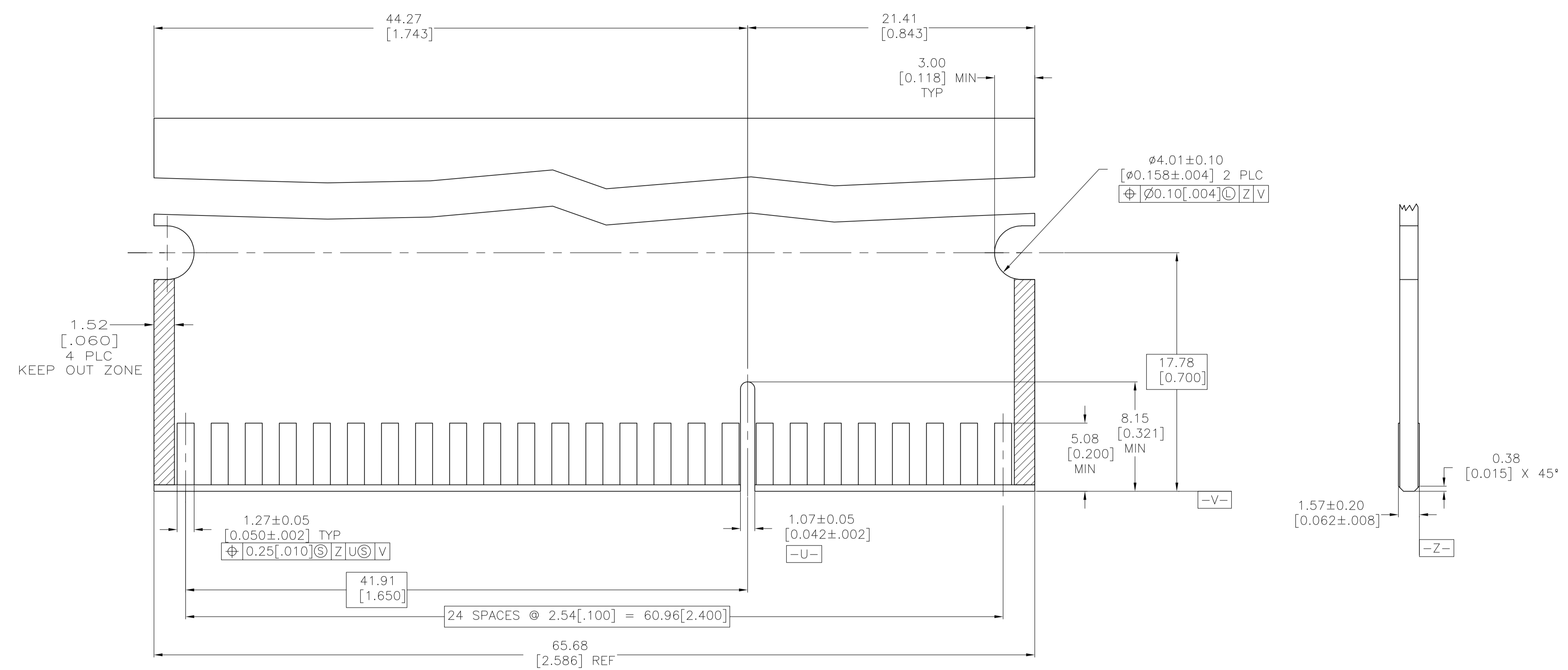


OBSELETE	1489649-3
OBSELETE	1489649-2
OBSELETE	1489649-1

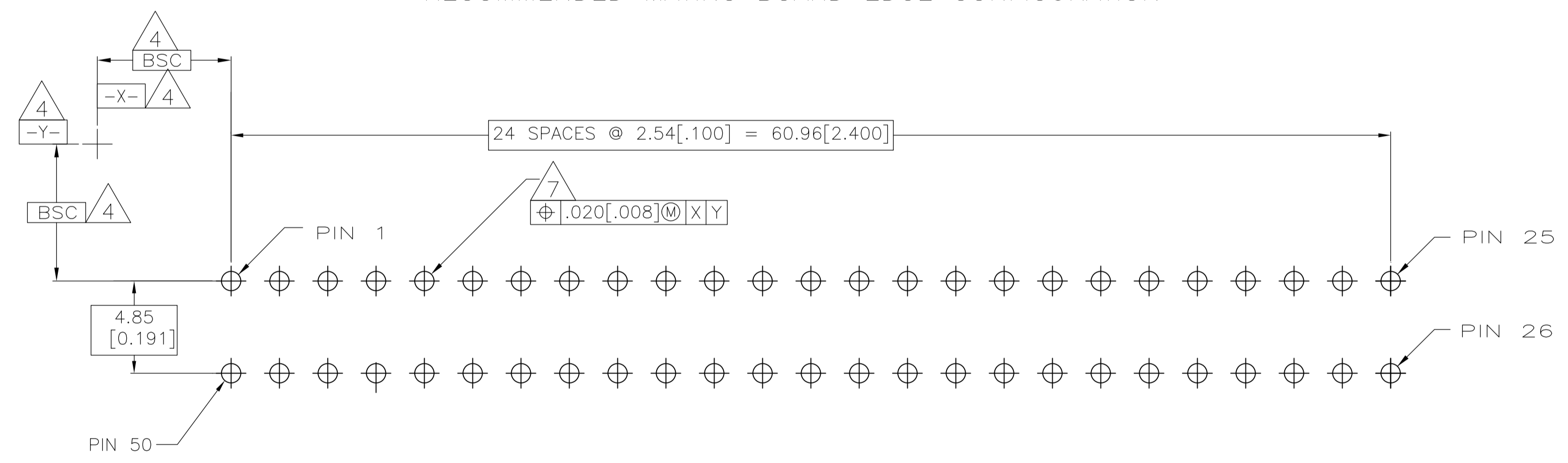
PART NUMBER

8.5, 12 V	25	1489649-4
VRM DESIGNATION	NO OF DUAL POSN	PART NUMBER

THIS DRAWING IS A CONTROLLED DOCUMENT.		DIN BB/LA.MAYER 26MAR2008	Tyco Electronics Corporation	
DIMENSIONS: mm [INCHES]		CIK A.W.FRANTUM 26MAR2008	Harrisburg, PA 17105-3608	
TOLERANCES UNLESS OTHERWISE SPECIFIED:		APVD S.FLICKINGER 26MAR2008	NAME	
0 PLC ± -	1 PLC ± -	CONNECTOR ASSEMBLY, HIGH CURRENT CARD EDGE, DUAL POSITION, 2.54 [1.00] CENTERLINE		
2 PLC ± 0.13[.005]	3 PLC ± -	PRODUCT SPEC 108-9039-1		
4 PLC ± -	ANGLES ± -	APPLICATION SPEC 114-13018		
MATERIAL SEE NOTE 1	FINISH SEE NOTE 2	WEIGHT -	SIZE A1	CAGE CODE DRAWING NO 00779
CUSTOMER DRAWING		SCALE 5:1	SHEET 1 OF 2	REV J



RECOMMENDED MATING BOARD EDGE CONFIGURATION



RECOMMENDED PC BOARD HOLE LAYOUT

THIS DRAWING IS A CONTROLLED DOCUMENT.		DIN BB/LA.MAYER 26MAR2008		Tyco Electronics Corporation Harrisburg, PA 17105-3608																													
DIMENSIONS: mm [INCHES]		TOLERANCES UNLESS OTHERWISE SPECIFIED:		Tyco Electronics Corporation																													
<table border="1"> <tr><td>0 PLC</td><td>± -</td></tr> <tr><td>1 PLC</td><td>± -</td></tr> <tr><td>2 PLC</td><td>± 0.13[.005]</td></tr> <tr><td>3 PLC</td><td>± -</td></tr> <tr><td>4 PLC</td><td>± -</td></tr> <tr><td>ANGLES</td><td>± - °</td></tr> </table>		0 PLC	± -	1 PLC	± -	2 PLC	± 0.13[.005]	3 PLC	± -	4 PLC	± -	ANGLES	± - °	<table border="1"> <tr><td>APVD</td><td>S.FLICKINGER 26MAR2008</td></tr> <tr><td>NAME</td><td>CONNECTOR ASSEMBLY, HIGH CURRENT CARD EDGE, DUAL POSITION, 2.54 [1.00] CENTERLINE</td></tr> <tr><td>PRODUCT SPEC</td><td>108-9039-1</td></tr> <tr><td>APPLICATION SPEC</td><td>114-13018</td></tr> </table>		APVD	S.FLICKINGER 26MAR2008	NAME	CONNECTOR ASSEMBLY, HIGH CURRENT CARD EDGE, DUAL POSITION, 2.54 [1.00] CENTERLINE	PRODUCT SPEC	108-9039-1	APPLICATION SPEC	114-13018	<table border="1"> <tr><td>SIZE</td><td>A1</td></tr> <tr><td>SCALE</td><td>5:1</td></tr> <tr><td>SHEET</td><td>2 OF 2</td></tr> <tr><td>REV</td><td>J</td></tr> </table>		SIZE	A1	SCALE	5:1	SHEET	2 OF 2	REV	J
0 PLC	± -																																
1 PLC	± -																																
2 PLC	± 0.13[.005]																																
3 PLC	± -																																
4 PLC	± -																																
ANGLES	± - °																																
APVD	S.FLICKINGER 26MAR2008																																
NAME	CONNECTOR ASSEMBLY, HIGH CURRENT CARD EDGE, DUAL POSITION, 2.54 [1.00] CENTERLINE																																
PRODUCT SPEC	108-9039-1																																
APPLICATION SPEC	114-13018																																
SIZE	A1																																
SCALE	5:1																																
SHEET	2 OF 2																																
REV	J																																
MATERIAL SEE NOTE 1		FINISH SEE NOTE 2		WEIGHT -																													
				CUSTOMER DRAWING																													