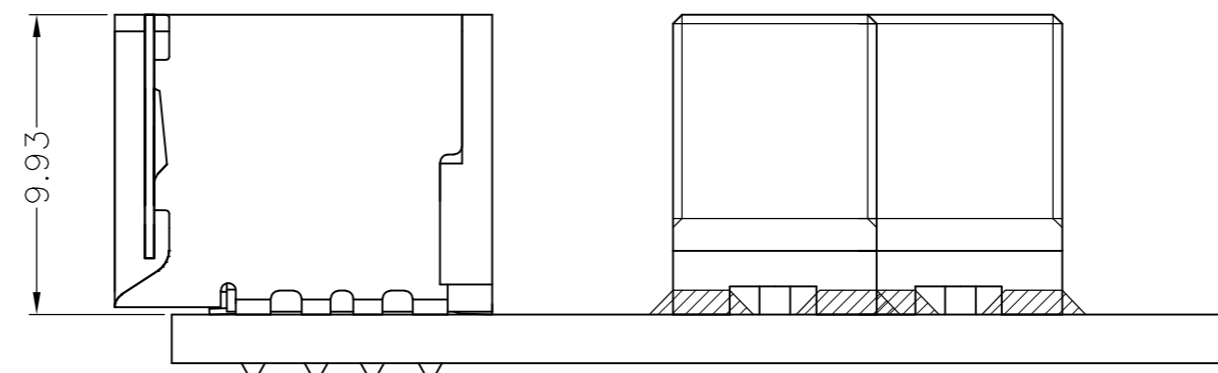
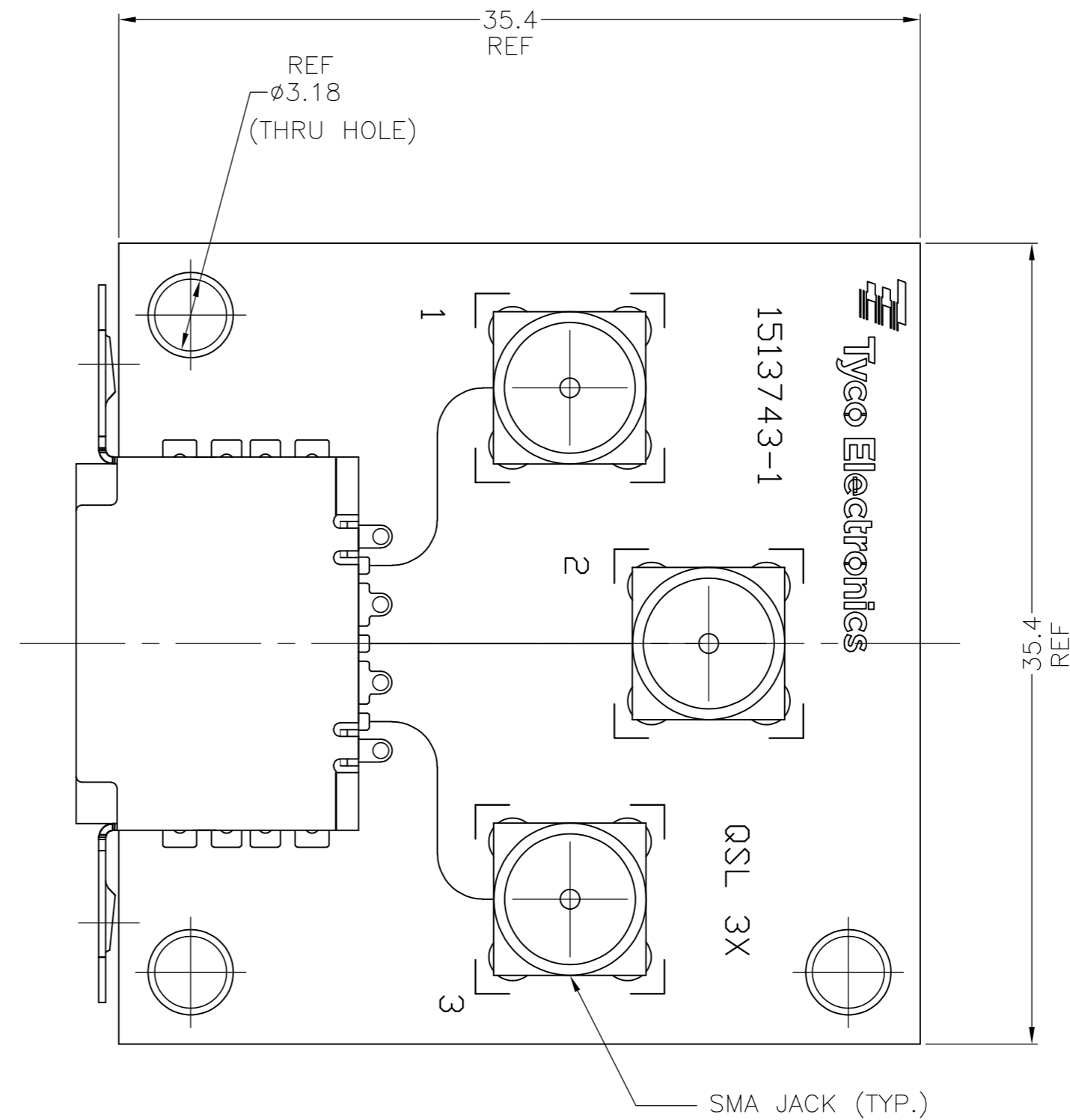
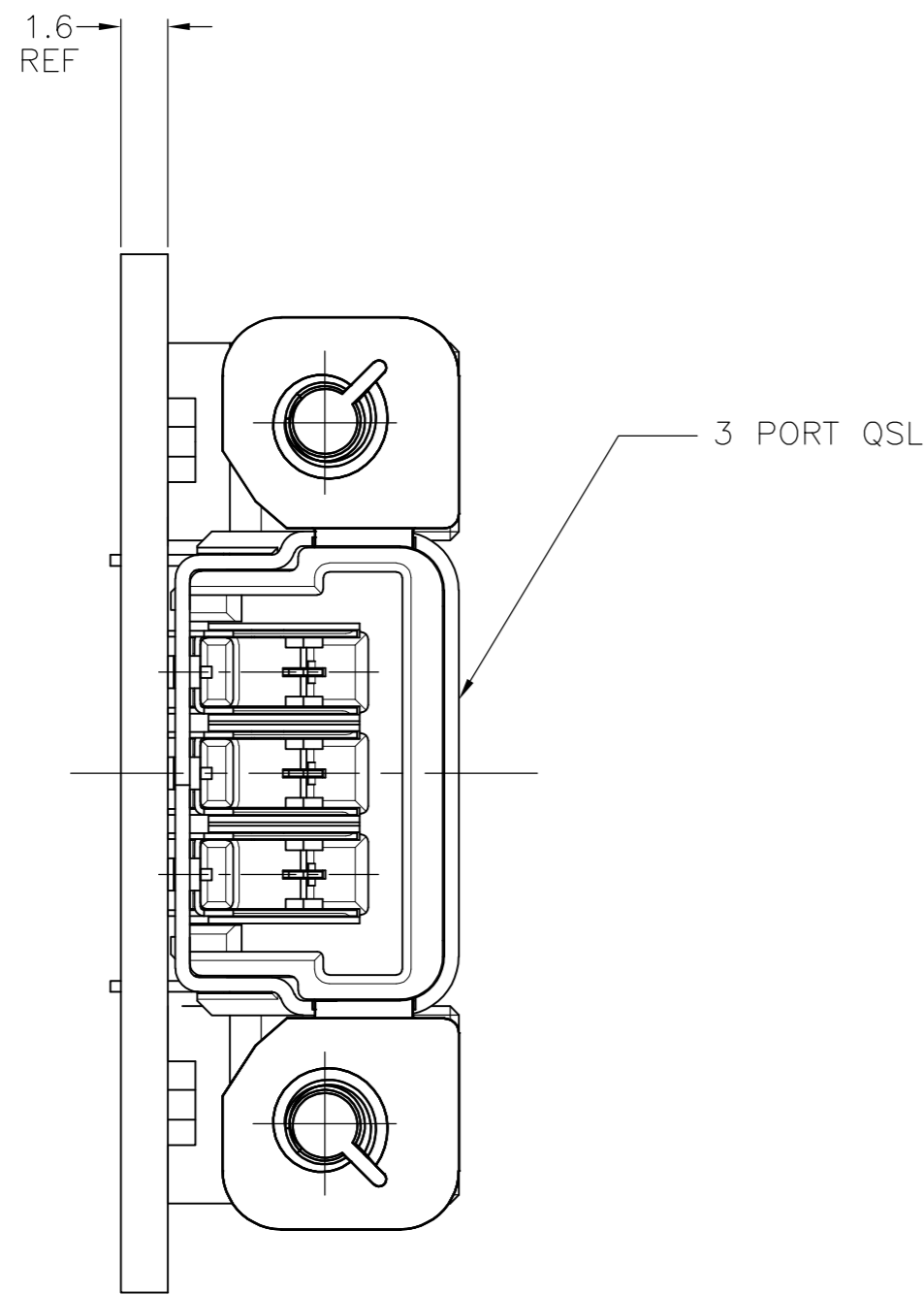


THIS DRAWING IS UNPUBLISHED. RELEASED FOR PUBLICATION
 © COPYRIGHT BY TYCO ELECTRONICS CORPORATION. ALL RIGHTS RESERVED.

LOC		DIST		REVISIONS					
AJ		00		P	LTR	DESCRIPTION	DATE	DWN	APVD
				A1		REV PER ECO 08-027565	3DEC2008	DW	MS



- SEE INSTRUCTION SHEET 408-10212 FOR QSL CONNECTOR ONLY TEST SET UP INFORMATION.
- VSWR: 1.5 MAX, FREQUENCY RANGE (GHZ) DC-6, PER QSL-SMA POSITION

1513743-1
 PART NUMBER

THIS DRAWING IS A CONTROLLED DOCUMENT.		DWN	D.WALLACE	30MAR2008	Tyco Electronics Corporation Harrisburg, PA 17105-3608			
DIMENSIONS: mm		CHK	J.CONSOLO	30MAR2008	NAME			
TOLERANCES UNLESS OTHERWISE SPECIFIED:		APVD	J.CONSOLO	30MAR2008	3 PORT QSL TO SMA TEST ASSEMBLY BOARD			
0 PLC	±	PRODUCT SPEC	-					
1 PLC	±	APPLICATION SPEC	-					
2 PLC	±	WEIGHT	-					
3 PLC	± 0.13	SIZE	A2	CAGE CODE	00779	DRAWING NO	C=1513743	RESTRICTED TO
4 PLC	±	MATERIAL	-					
ANGLES	± 1°	FINISH	-					
CUSTOMER DRAWING		SCALE	8:1	SHEET	1 OF 1	REV	A1	