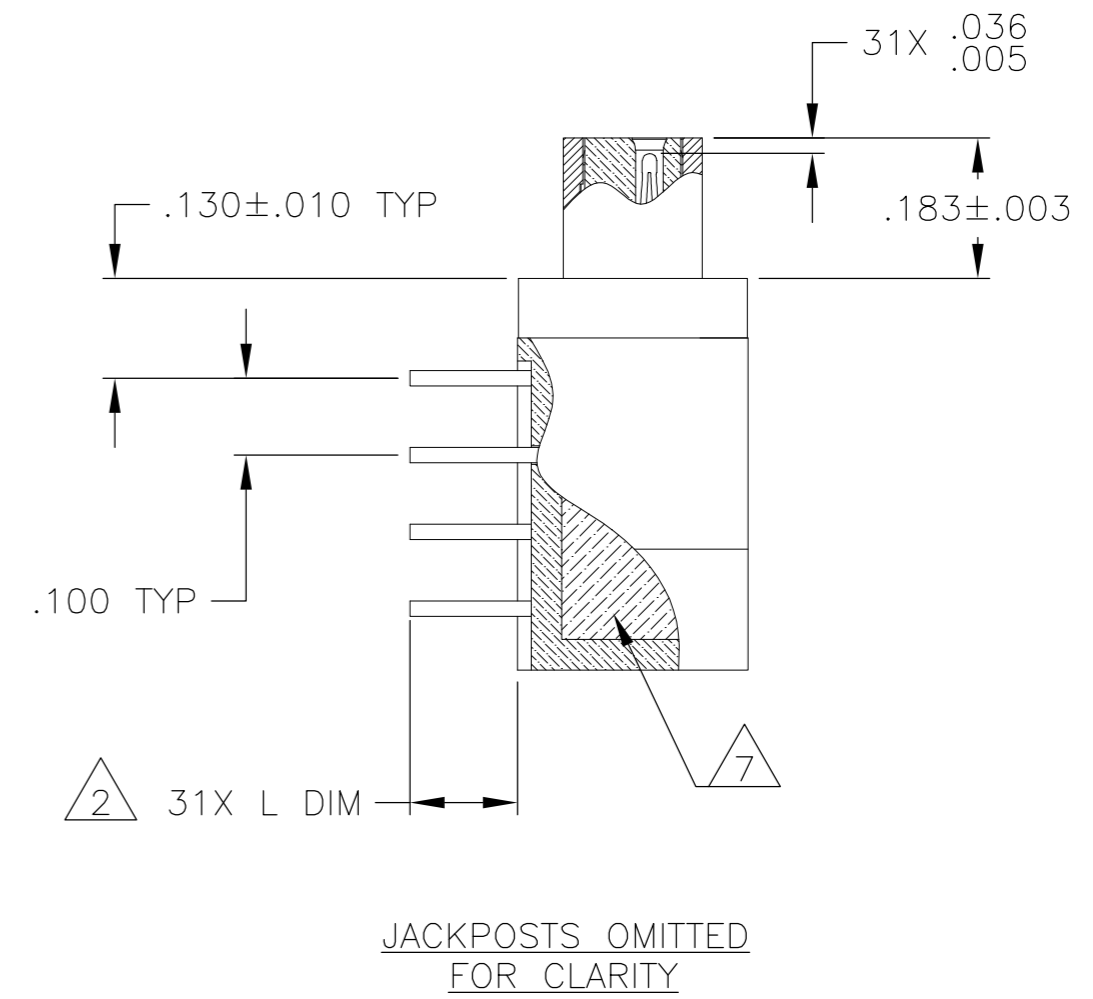
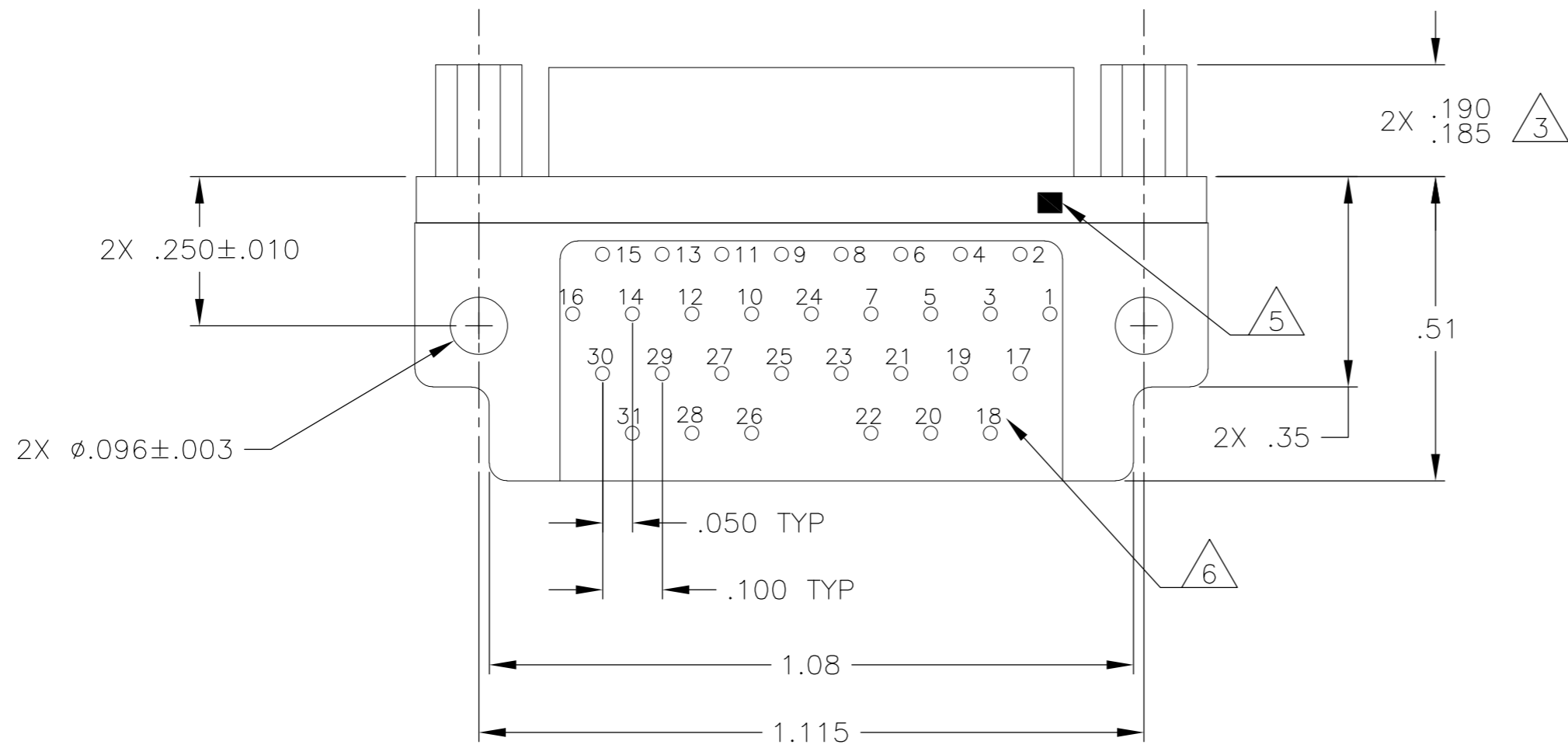
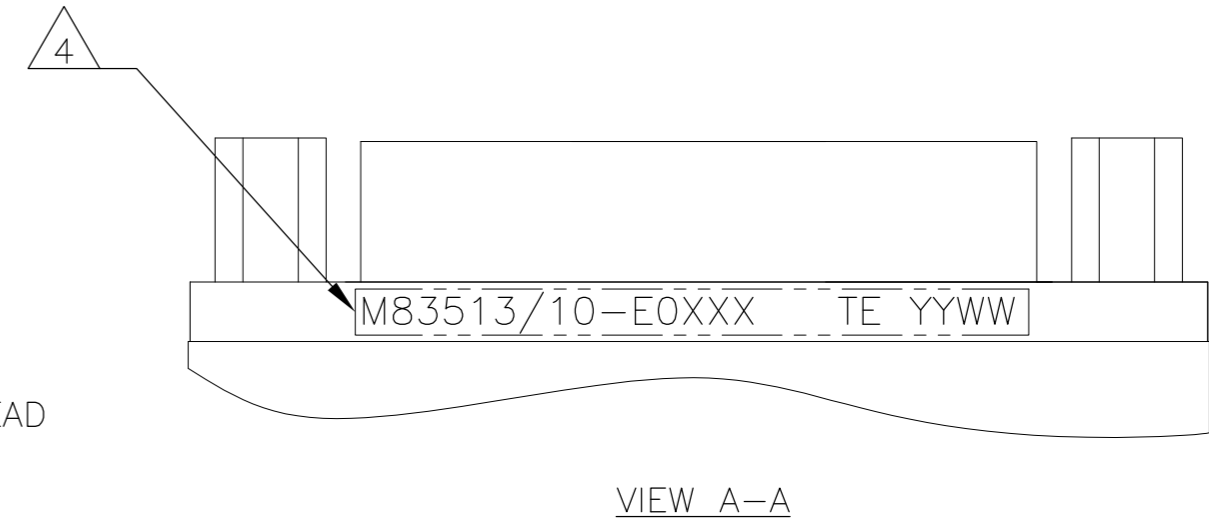
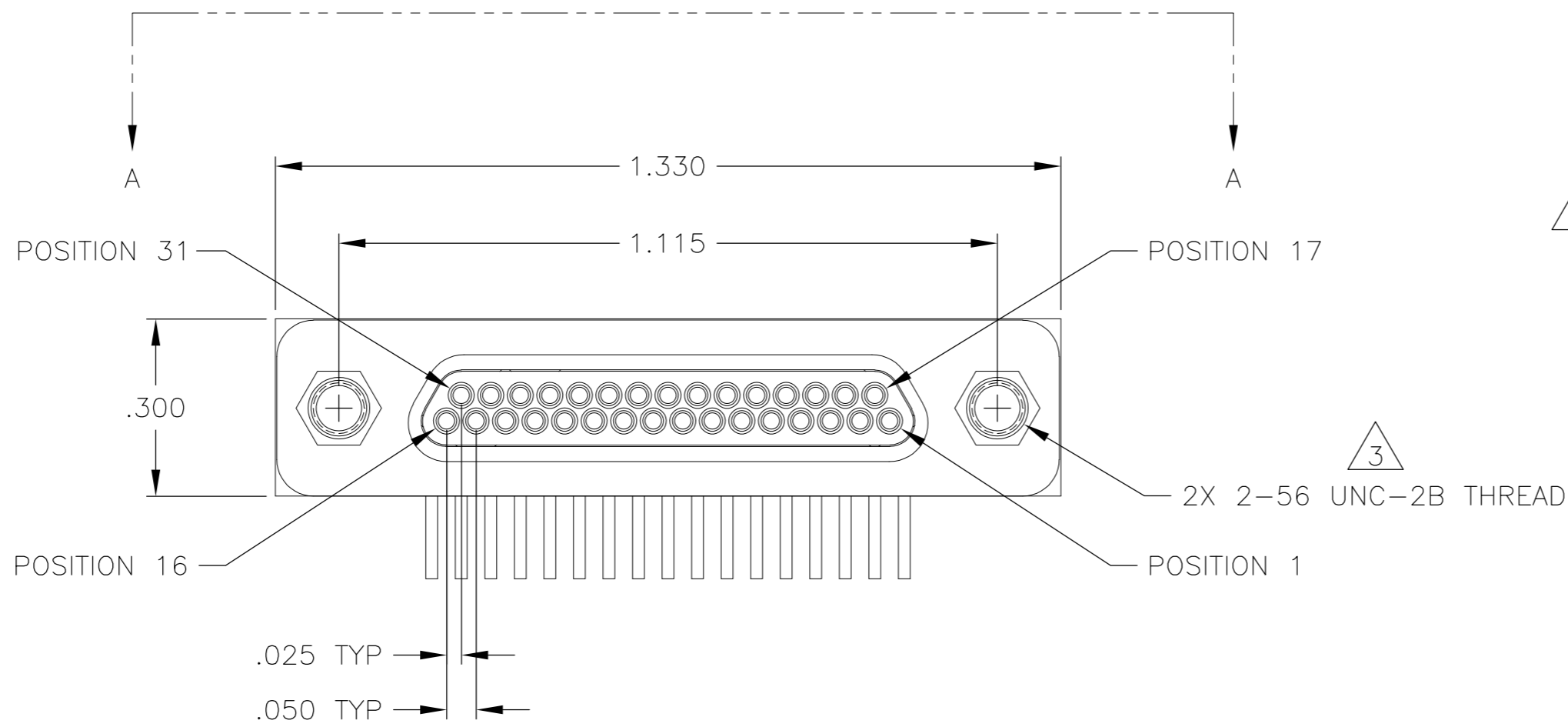


THIS DRAWING IS UNPUBLISHED. RELEASED FOR PUBLICATION
 © COPYRIGHT - By - ALL RIGHTS RESERVED.

LOC		DIST		REVISIONS			
P	LTR	DESCRIPTION		DATE	DWN	APVD	
	A	INITIAL RELEASE		2 JUL 12	CAS	MKS	



SEE SHEET 2 FOR NOTES

THIS DRAWING IS A CONTROLLED DOCUMENT.		DWN C SCHOLL	2 JUL 12	TE TE Connectivity	
DIMENSIONS: INCHES		CHK -	-		
TOLERANCES UNLESS OTHERWISE SPECIFIED:		APVD M STORRY	2 JUL 12	NAME	
0 PLC ± -		PRODUCT SPEC		PLUG ASSEMBLY, MCKS, RT1 RIGHT	
1 PLC ± -		APPLICATION SPEC		ANGLE, PCB MOUNT, 2 ROW,	
2 PLC ± .010		WEIGHT		SIZE 31, PER MIL-DTL-83513/10	
3 PLC ± .005		CUSTOMER DRAWING		SIZE	CAGE CODE
4 PLC ± -		SCALE 4:1		A2	98278
ANGLES ± 1°		SHEET 1 of 2		DRAWING NO	RESTRICTED TO
FINISH		REV A		C=1532254	-
SEE NOTES		SHEET 1 of 2		SCALE 4:1	

THIS DRAWING IS UNPUBLISHED. RELEASED FOR PUBLICATION
 © COPYRIGHT - By - ALL RIGHTS RESERVED.

LOC		DIST		REVISIONS			
P	LTR	DESCRIPTION	DATE	DWN	APVD		
-	-	SEE SHEET 1	-	-	-		

TE PART NUMBER	MIL-DTL-83513 PIN	MCKS DESCRIPTION	SHELL FINISH $\triangle 1$	HARDWARE $\triangle 3$	L DIM $\pm .015$
1532254-1	M83513/10-E01CN	MCKS-C2-B-31PRT1	CADMIUM	NONE	.109
1532254-2	M83513/10-E01CP	MCKS-C2-P-31PRT1	CADMIUM	JACKPOSTS	.109
1532254-3	M83513/10-E01NN	MCKS-N1-B-31PRT1	NICKEL	NONE	.109
1532254-4	M83513/10-E01NP	MCKS-N1-P-31PRT1	NICKEL	JACKPOSTS	.109
1532254-5	M83513/10-E02CN	MCKS-C2-B-31PRT1A	CADMIUM	NONE	.140
1532254-6	M83513/10-E02CP	MCKS-C2-P-31PRT1A	CADMIUM	JACKPOSTS	.140
1532254-7	M83513/10-E02NN	MCKS-N1-B-31PRT1A	NICKEL	NONE	.140
1532254-8	M83513/10-E02NP	MCKS-N1-P-31PRT1A	NICKEL	JACKPOSTS	.140
1532254-9	M83513/10-E03CN	MCKS-C2-B-31PRT1B	CADMIUM	NONE	.172
1-1532254-0	M83513/10-E03CP	MCKS-C2-P-31PRT1B	CADMIUM	JACKPOSTS	.172
1-1532254-1	M83513/10-E03NN	MCKS-N1-B-31PRT1B	NICKEL	NONE	.172
1-1532254-2	M83513/10-E03NP	MCKS-N1-P-31PRT1B	NICKEL	JACKPOSTS	.172

$\triangle 1$ SHELL MATERIAL: 6061-T6 ALUMINUM
 FINISH OPTIONS:
 ELECTROLESS NICKEL PLATED PER SAE-AMS-C-26074 OR SAE AMS 2404 OR CADMIUM PLATED PER SAE-AMS-QQ-P-416 WITH YELLOW CHROMATE
 INSULATOR: LIQUID CRYSTAL POLYMER (LCP)
 HARDWARE: 300 SERIES STAINLESS STEEL
 TB BOX: POLYPHENYLENE SULFIDE (PPS) AND EPOXY POTTING

$\triangle 2$ TERMINATION: 24AWG GOLD PLATED COPPER WIRE, Sn63Pb37 SOLDER DIPPED UP TO MOUNTING SURFACE AT A MINIMUM

$\triangle 3$ JACKPOST HARDWARE SHALL BE PERMANENTLY INSTALLED AS SHOWN WHEN REQUIRED BY THE MIL PIN. JACKPOST DIMENSIONS AND REQUIREMENTS ARE DEFINED IN MIL-DTL-83513/5.


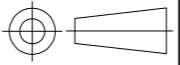
$\triangle 4$ CONNECTOR SHALL BE MARKED IN ACCORDANCE WITH METHOD I OF MIL-STD-1285. MARKING SHALL CONTAIN THE MILITARY PIN, CAGE CODE (OR TE), AND DATE CODE. EXAMPLE: M83513/10-E0XXX TE YYWW (WHERE XXX IS PART OF THE PIN SHOWN IN THE "MIL-DTL-83513 PIN" COLUMN OF THE PART NUMBER TABLE, AND YYWW IS THE DATE CODE). THE MARKING MUST BE PRINTED ON THE FLANGE. TEXT HEIGHT SHALL BE .035 INCH MINIMUM.

$\triangle 5$ POSITION 1 SHALL BE INDICATED BY AN IDENTIFIABLE MARK, LOCATED APPROXIMATELY AS SHOWN ON THE POSITION 1 SIDE OF THE CONNECTOR FLANGE. THIS MARK SHALL BE INCLUDED AS PART OF THE PART MARKING INFORMATION.

$\triangle 6$ TERMINAL IDENTIFICATION NUMBERS AS SHOWN DO NOT ACTUALLY APPEAR ON THE PART (FOR IDENTIFICATION ONLY)

$\triangle 7$ EPOXY ENCAPSULATION

8 ALL REQUIREMENTS CONFORM TO MIL-DTL-83513/10. SEE MIL-SPEC FOR DETAILED INTERFACE DIMENSIONS AND SUGGESTED PCB LAYOUTS

THIS DRAWING IS A CONTROLLED DOCUMENT.		DWN C SCHOLL	2 JUL 12	 TE Connectivity	
DIMENSIONS: INCHES		CHK -	-		
		TOLERANCES UNLESS OTHERWISE SPECIFIED:		APVD M STORRY	
		0 PLC \pm - 1 PLC \pm - 2 PLC $\pm .010$ 3 PLC $\pm .005$ 4 PLC \pm - ANGLES $\pm 1^\circ$		2 JUL 12	
MATERIAL SEE NOTES		FINISH SEE NOTES		PRODUCT SPEC -	
		WEIGHT -		APPLICATION SPEC -	
		CUSTOMER DRAWING		SIZE A2	CAGE CODE 98278
		SCALE 4:1		DRAWING NO C=1532254	RESTRICTED TO -
		SHEET 2 of 2		REV A	