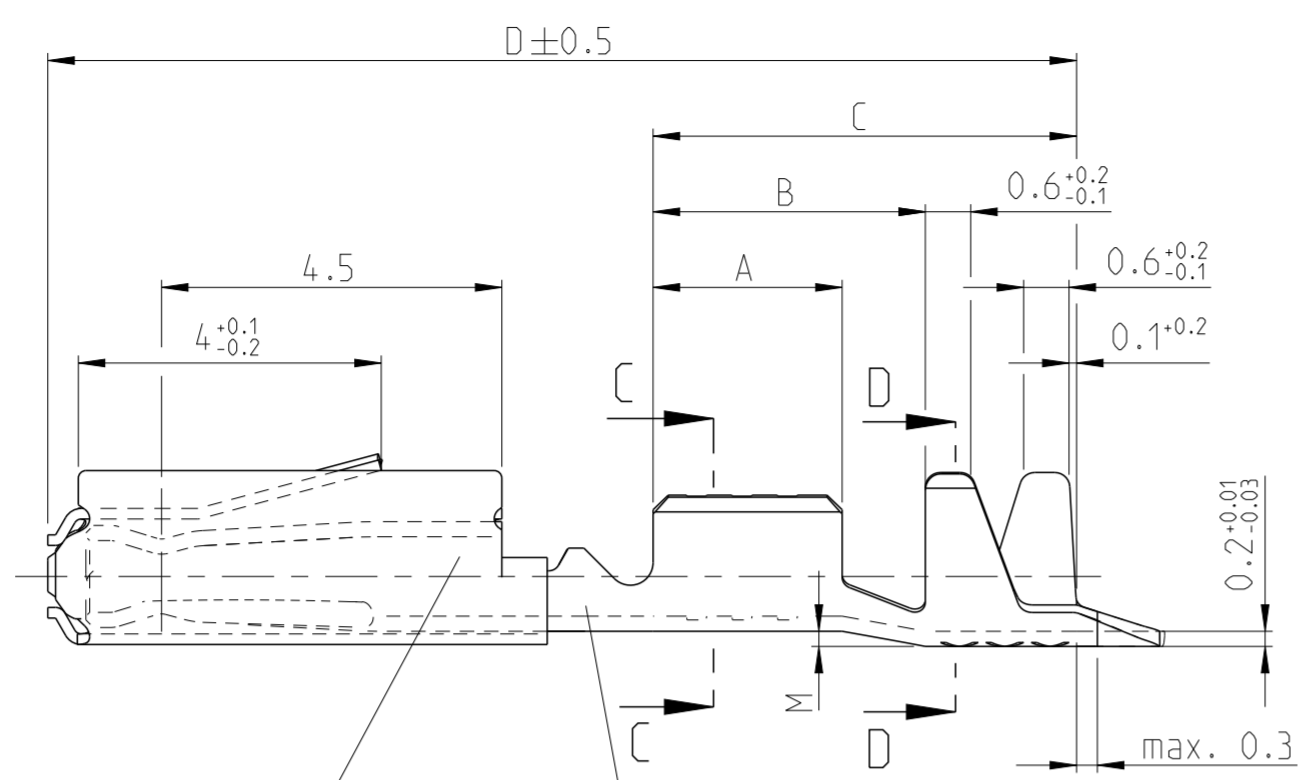


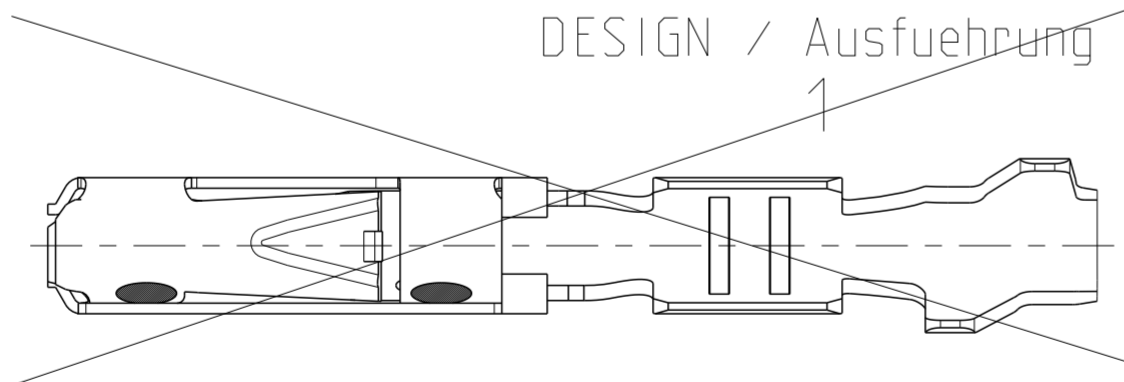
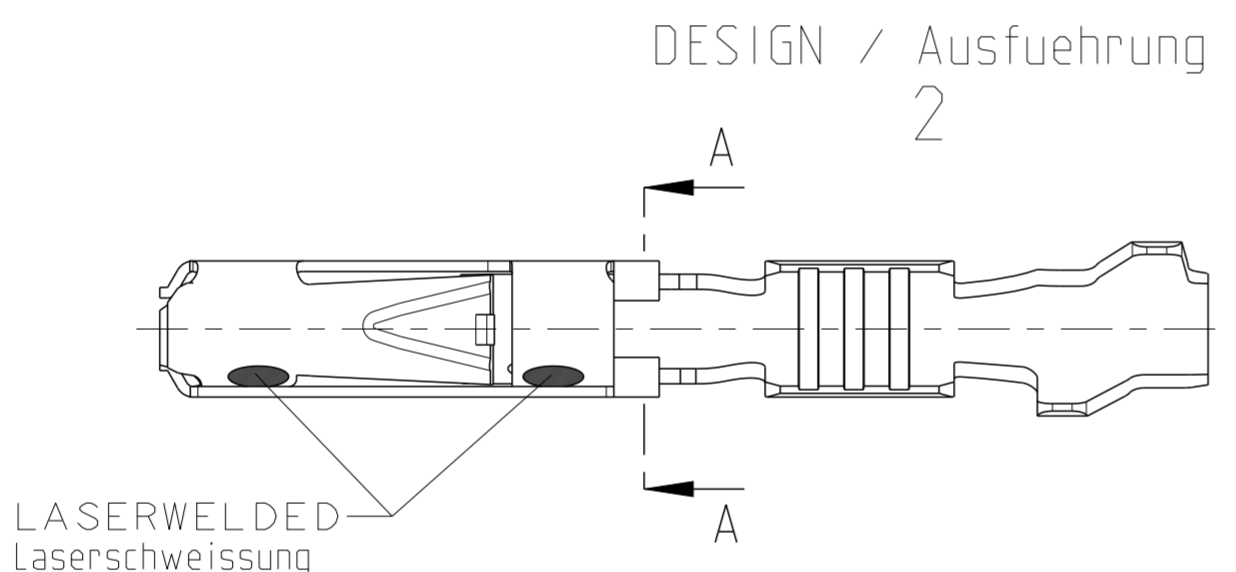
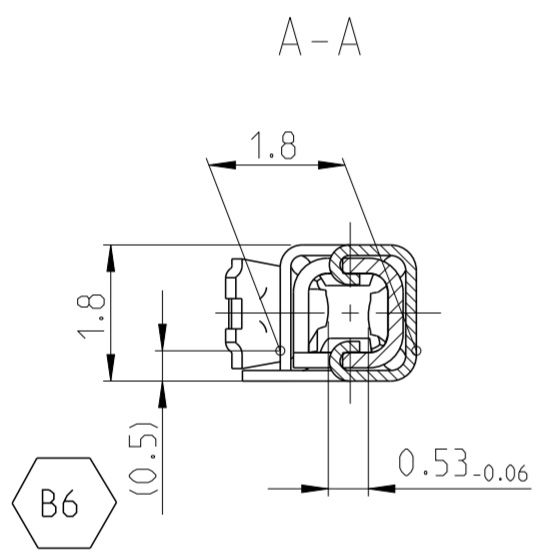
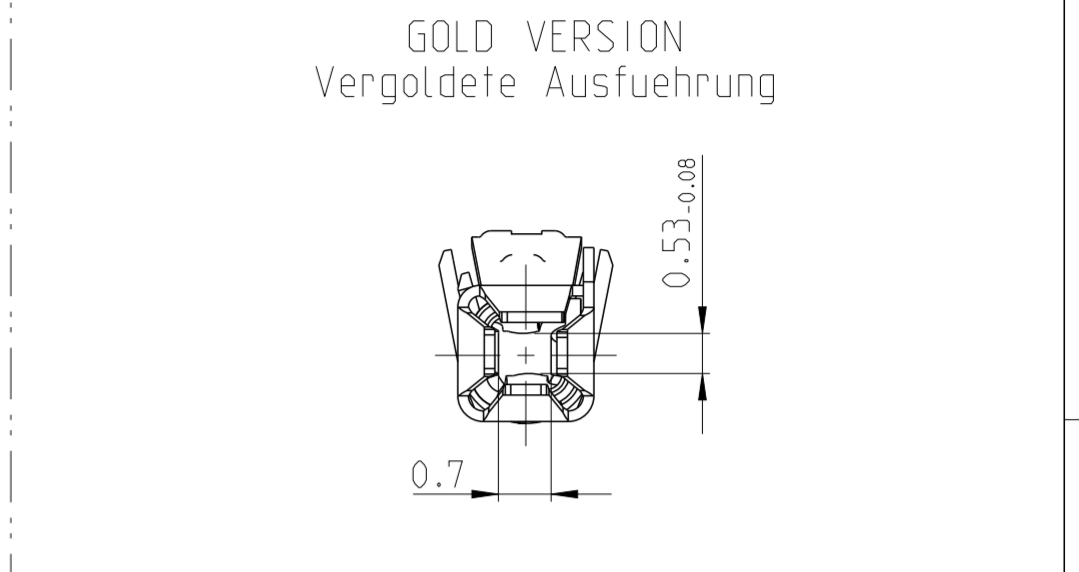
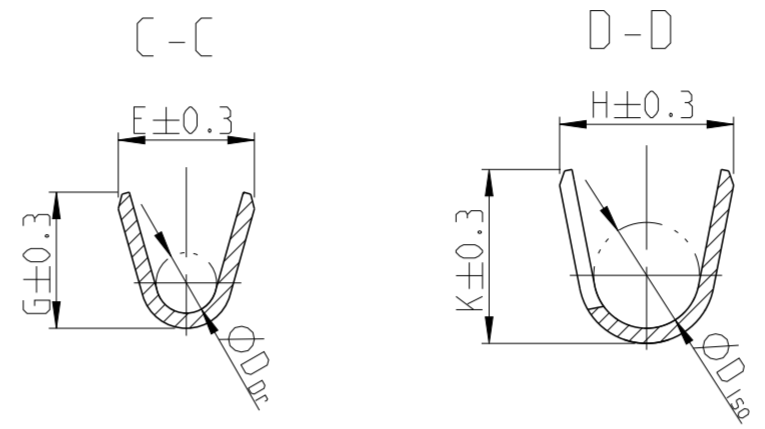
THIS DRAWING IS UNPUBLISHED. RELEASED FOR PUBLICATION 2012
 © COPYRIGHT 2012 Tyco Electronics AMP GmbH ALL RIGHTS RESERVED.

LOC	DIST	REVISIONS			
P	LTR	DESCRIPTION	DATE	DWN	APVD
B3		PN's 1394406-1/-2 AND 1394407-1/-2 REM. F. TABLE	02APR2013	Abr	Brun
B4		LP Variants removed. ECR-13-015135	30SEP2013	Abr	Brun
B5		New view for gold version added PN's OBSOLETE. ECR-13-005676	02APR2019	FRAN	BERG
B6		See PCN E-19-011079	09DEC2019	MAH.	BERG



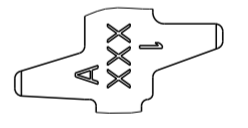
SPRING / Ueberfeder
 MATERIAL : X10CrNi 188
 SURFACE : PLAIN
 Oberflaeche : blank

BODY / Kontaktkoerper
 MATERIAL : CuNiSi
 SURFACE : SEE CHART
 Oberflaeche : siehe Tabelle



NOTES
Bemerkungen

- SUITABLE FOR PIN CONTACT SEE DRAWING: TE: 929453
Passend zu Stiftkontakt siehe Zeichnung: TE: 929453
- FOR FLR-CONDUCTOR ACCORDING TO DIN ISO6722-2 ONLY
Nur fuer FLR-Leitung nach DIN ISO 6722-2
- DETAILS OF DESIGN ARE LEFT TO MANUFACTURER
Einzelheiten der Ausfuehrung bleiben dem Hersteller ueberlassen
- TE REVISION AND DIE IDENTIFICATION (E.G. REV. A DIE-NO. 1)
TE Revision und Werkzeug-Nr.(z.B. Rev. A Wkzg.-Nr. 1)
- Varianten von Design1 werden durch die entsprechenden Versionen von Design2 ersetzt
VARIANTS OF DESIGN1 ARE SUPERSEDED BY CORRESPONDING VERSIONS OF DESIGN2



ORDER NO. Bestell-Nr. Ausfuehrung	REV	ORDER NO. DESIGN Bestell-Nr. Ausfuehrung	REV	WIRE SIZE RANGE DGB mm ²	INSULATION Ø Isolations Ø	SURFACE CONTACT AREA Oberflaeche Kontaktzone	LENGTH Laenge mm	WIRE CRIMP Drahtcrimp mm	INSU. CRIMP Iso' Crimp mm	WEIGHT Gewicht g	
5-1394702-2	B	1394702-2	A	B6 0.25-0.35	1.2-1.6	Au	A = 2.5 B = 3.6 C = 5.6 D = 13.6 M = 0.2	E = 1.8 G = 1.8 D _{Dr} = 0.8	H = 2.3 K = 2.3 D _{Iso} = 1.4	0.13	
5-1394702-1	B	1394702-1	A			Sn					
ORDER NO. DESIGN Bestell-Nr. Ausfuehrung	REV	ORDER NO. DESIGN Bestell-Nr. Ausfuehrung	REV	DIMENSIONS/ Abmessungen							
2		5 1									

THIS DRAWING IS A CONTROLLED DOCUMENT.

DIMENSIONS: mm	TOLERANCES UNLESS OTHERWISE SPECIFIED: 0-PLC ± 1-PLC ± ±0.1 2-PLC ± ± 3-PLC ± ± 4-PLC ± ± ANGLES ±° FINISH	DWN R.Schaefer 29JAN2002 CHK H.Kampmann 29APR2008 APVD M.Bleicher 29APR2008	NAME MGS, 2POINT PRODUCT GROUP DRAWING SOCKET CONTACT Produktgruppenzeichnung Buchsenkontakt
MATERIAL		PRODUCT SPEC 108-18874 APPLICATION SPEC 114-18021 WEIGHT -	SIZE A2 CAGE CODE 00779 DRAWING NO. 1534616 RESTRICTED TO -
CUSTOMER DRAWING		SCALE 10:1	SHEET 1 OF 1 REV B6

STE TE Connectivity