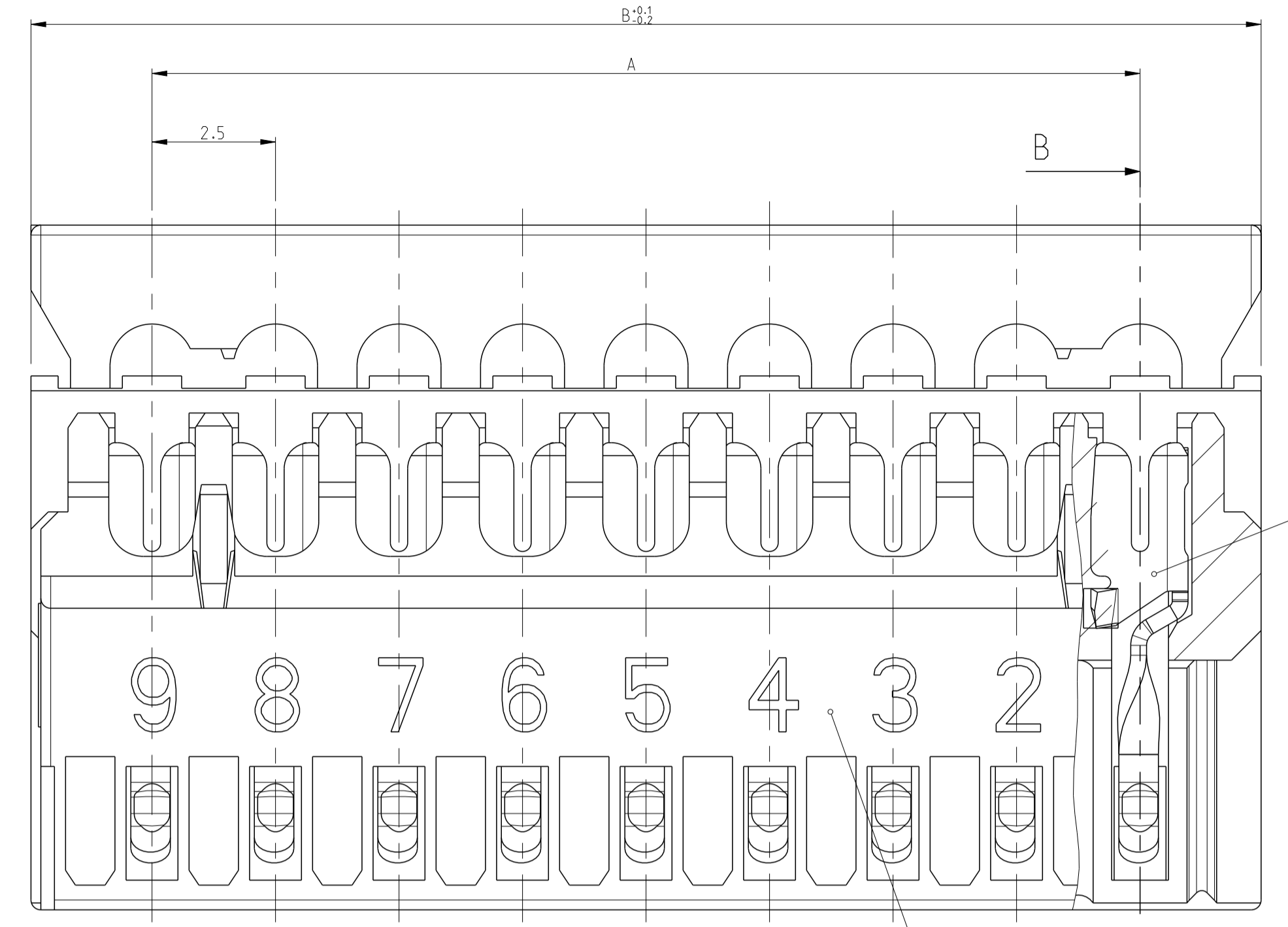
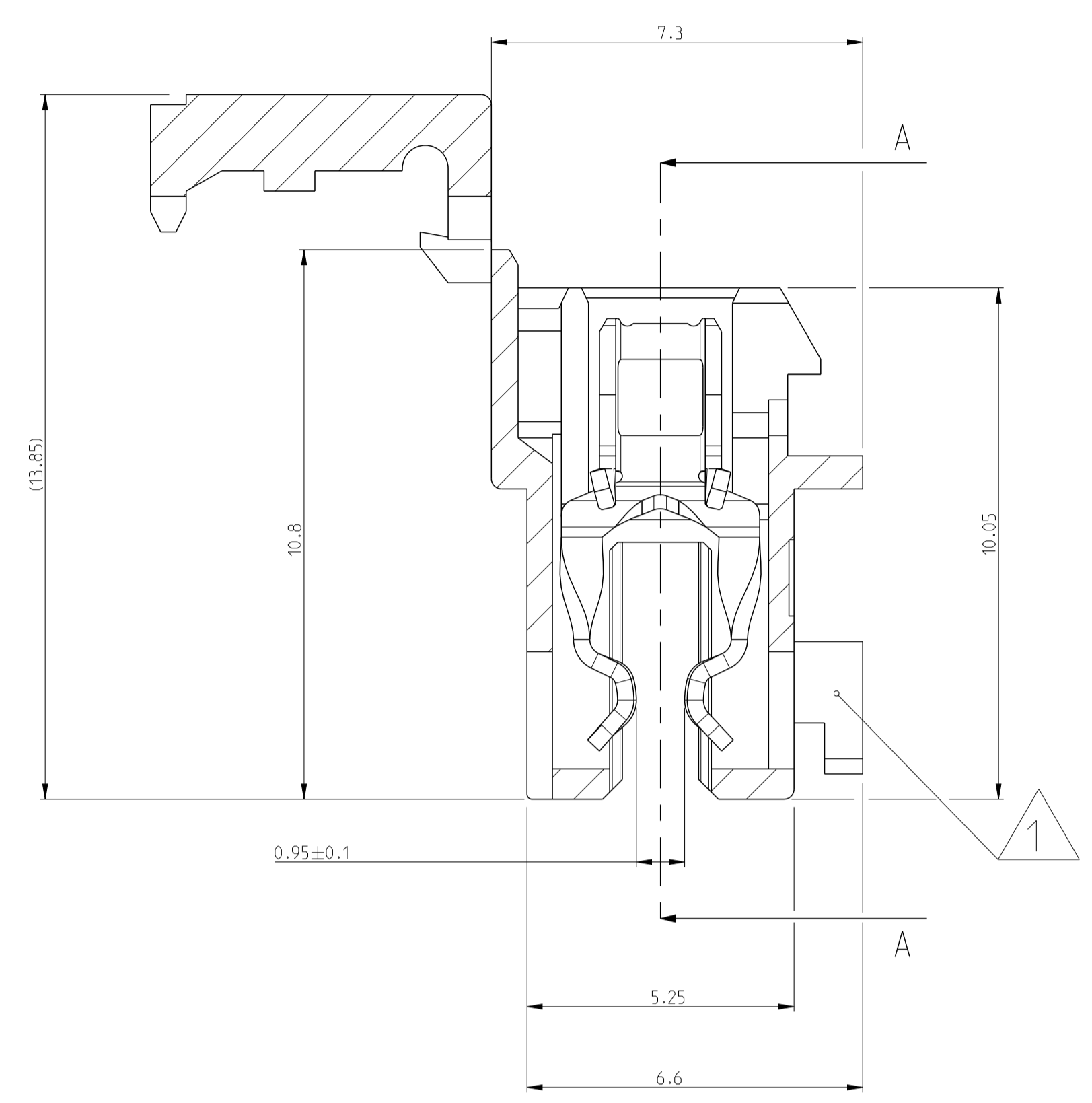


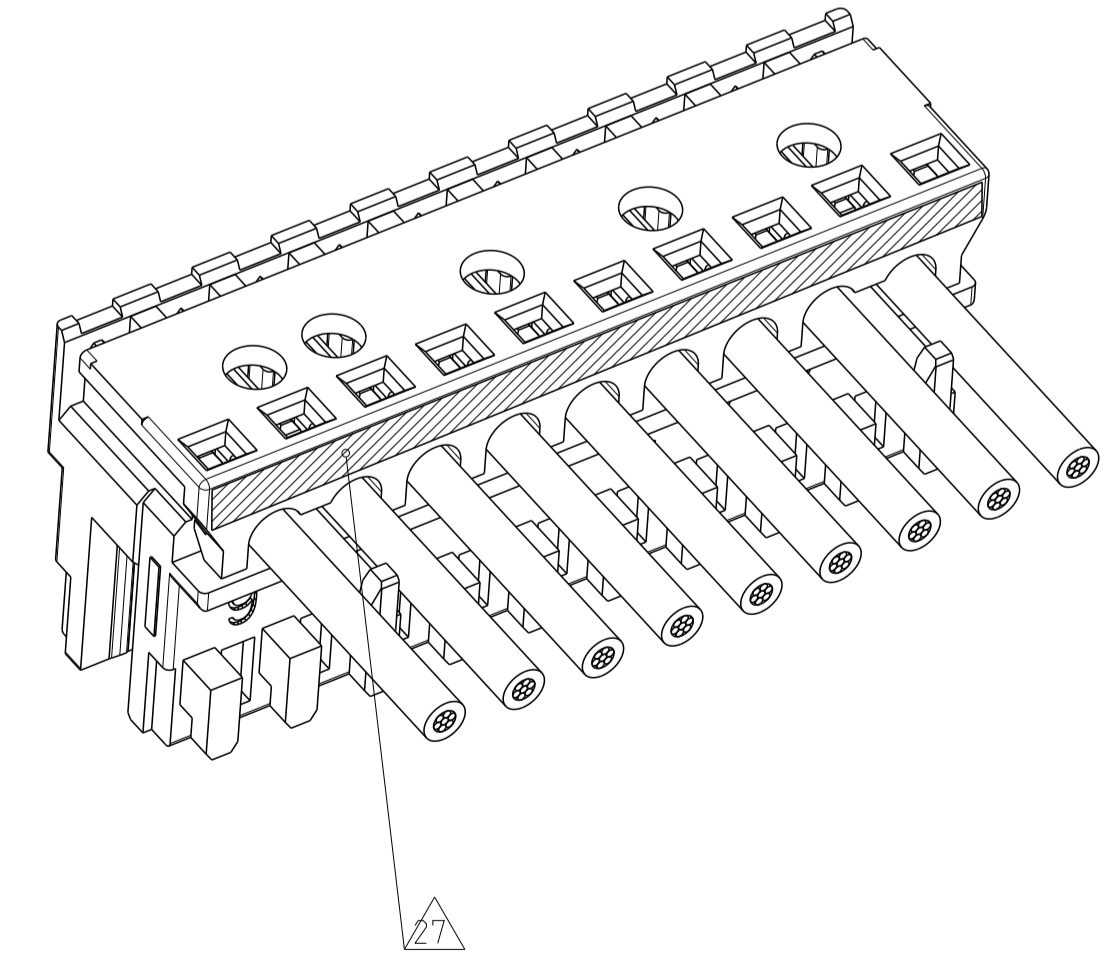
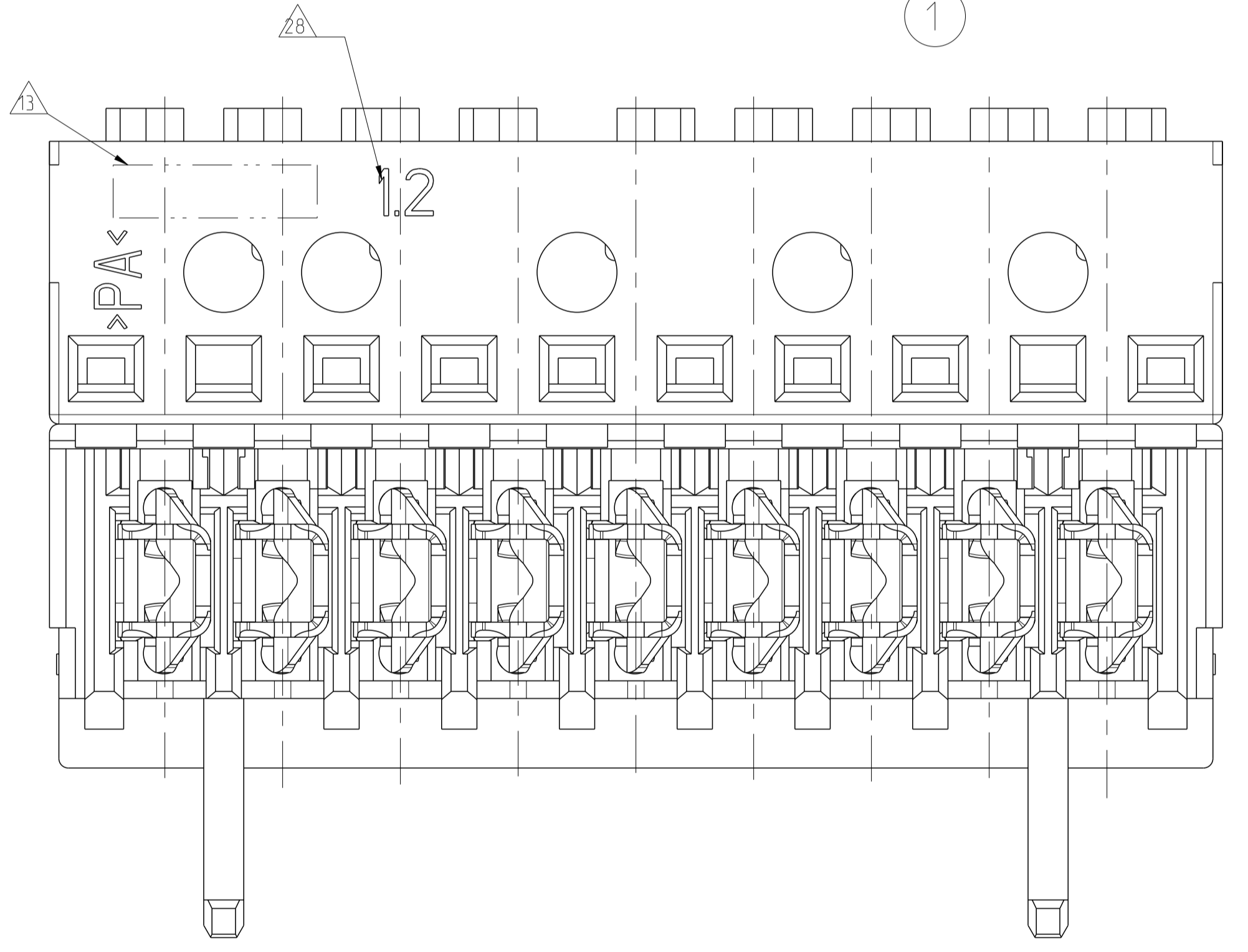
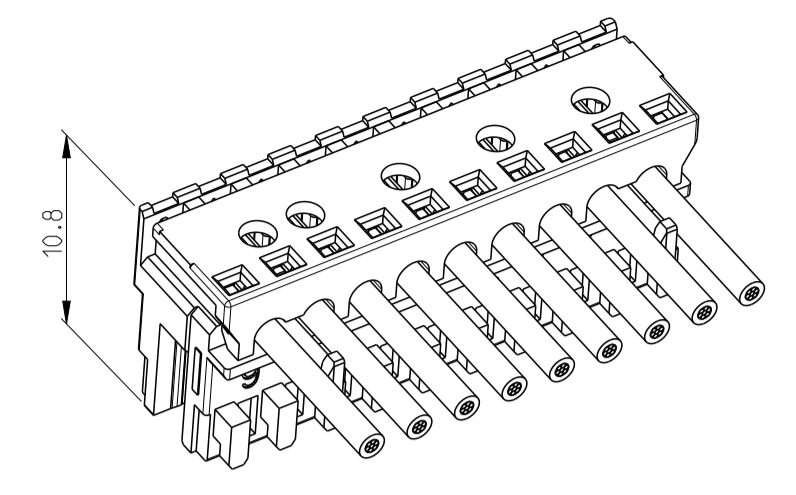
LOC		DIST		REVISIONS			
P	LTN	DESCRIPTION	DATE	DMN	APVD		



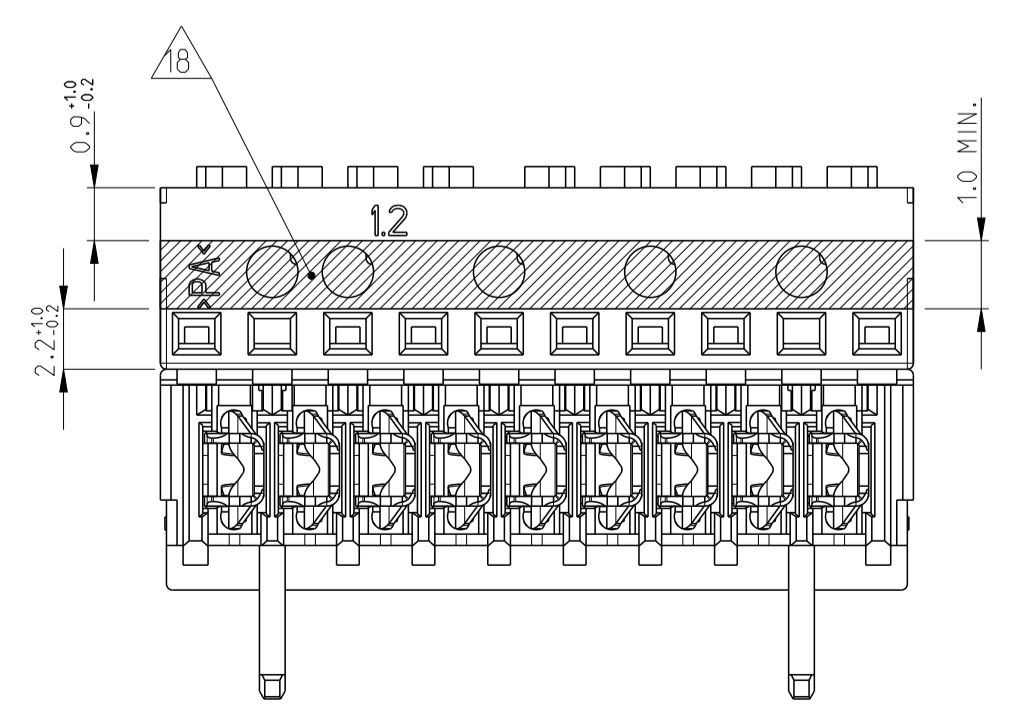
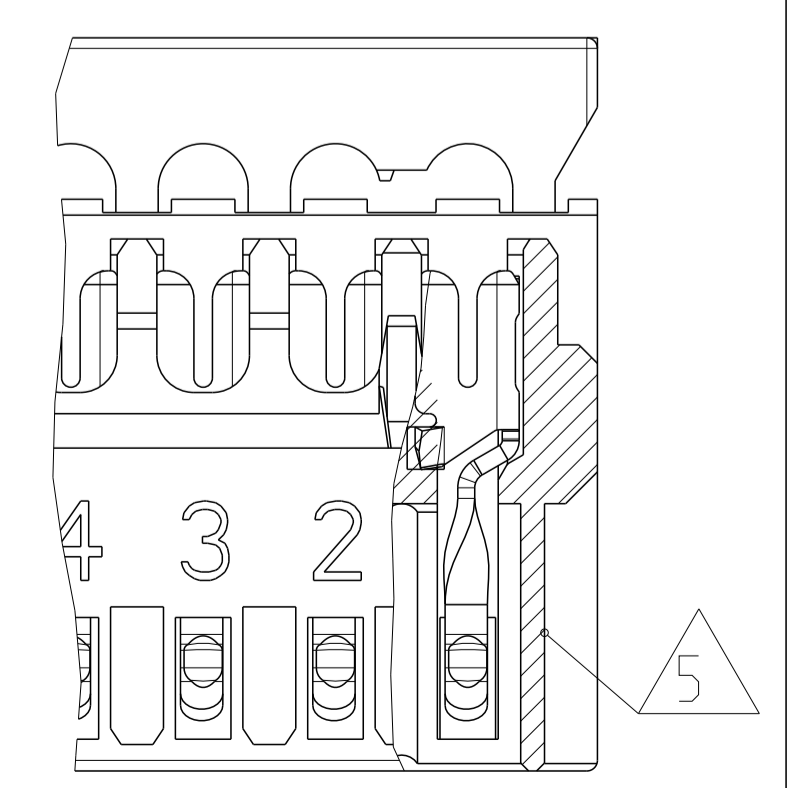
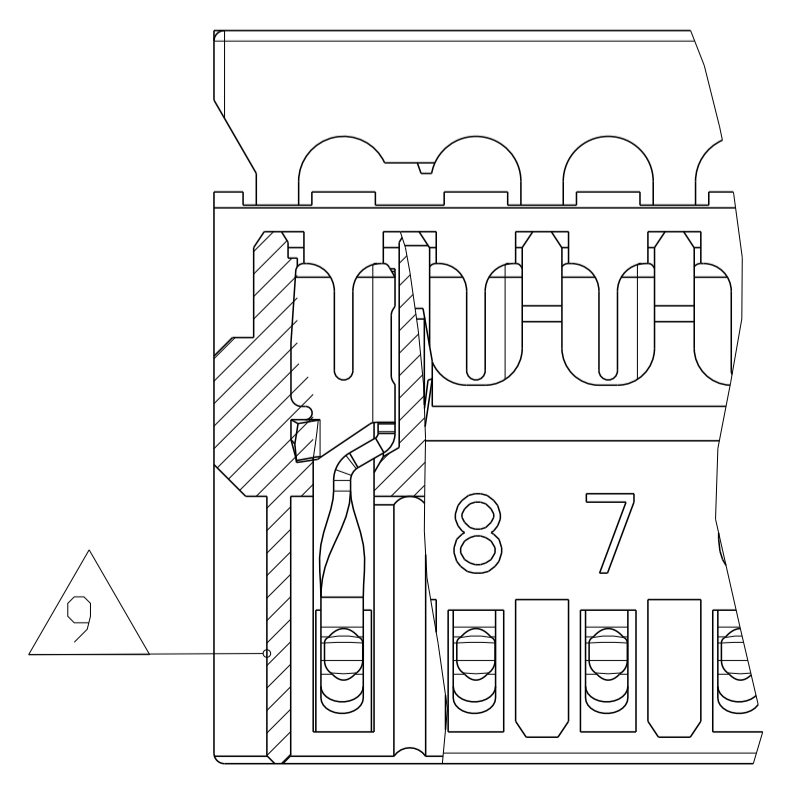
SECTION A-A



SECTION B-B



- 31 SIDE KEYING ON LAST CAVITY. THICKNESS 0.7mm
- 30 SIDE KEYING ON CAVITY NO.1. THICKNESS 0.7mm
- 29 P/N RELEASED WITH PARTIAL VALIDATION AND CERTIFICATION
- 28 CAVITY ID STARTS WITH LETTER FOR PARTS PRODUCTION IN QINGDAO PLANT. SUCH AS "A1.1"
- 27 STRIPE IN YELLOW COLOR WHERE SHOWN. PRESENT ON THE PARTS PRODUCED IN TE COLLEGNO ONLY
- 26 DIMENSION AVAILABLE ONLY FOR PART X-2304525-X. X-2304526-X.
- 25 WITH SPECIAL CHAIN FEATURE
- 24 SIDE KEYING ON LAST CAVITY. THICK-1.5mm
- 23 -
- 19 SIDE KEYING. THICK. ON CAVITY No.1. THICKNESS 1.5mm
- 18 COLOR STRIP ON COVER OF HOUSING. NOT THE COLOR OF HOUSING.
- 17 SLOT FOR KEYING. SLIM. BETWEEN POSITION
- 16 SLOT FOR KEYING. THICK. BETWEEN POSITION
- 15 KEYING. THICK. BETWEEN POSITION. THICKNESS 0.7mm
- 14 COLOR CODE
- 13 TE LOGO
- 12 PRELIMINARY PART NOT RELEASED FOR PRODUCTION
- 11 KEYING. SLIM. BETWEEN POSITION. THICKNESS 0.45mm
- 10 SLOT FOR SIDE KEYING. ON LAST CAVITY
- 9 SIDE KEYING. SLIM. ON LAST CAVITY. THICKNESS 0.45mm
- 8 INCLUSIVE COPPER LOADING
- 7 PCB PREFERABLY CHAMFERED
- 6 SLOT FOR SIDE KEYING. ON CAVITY NO 1
- 5 SIDE KEYING. ON CAVITY NO. 1. THICKNESS 0.45mm
- 4 WIRE RANGE: 0.22-0.35mm<sup>2</sup> SEE APPLICATION SPEC. 114-18467
- 3 IEC 60695-2-11 / IEC 60335-1 GLOW WIRE TEST 750 °C WITHOUT FLAME
- 2 MATING PART: PCB (WITH FRAMES ACC. RAST 2.5 E.G. PN 964 575/576) TAB HEADER (FOR EXAMPLE: X-1971817/818-Y)
- 1 KEYING RIBS; CUTTING WITH TERMINATION MACHINE POSSIBLE



THIS DRAWING IS A CONTROLLED DOCUMENT.		DMN H. Karabiyik 24MAY2002	TE Connectivity	
DIMENSIONS: mm		CHK B. Schnaubelt 24MAY2002	NAME AMP DUOPLUG 2.5 MARK II FEMALE CONNECTOR 2-20 POSITION	
TOLERANCES UNLESS OTHERWISE SPECIFIED:		APVD T. Klenner 24MAY2002	PRODUCT SPEC 108-18785	
0 PLC ±0.2		APPLICATION SPEC		
1 PLC ±0.2		114-18467		
2 PLC ±0.2		SIZE A1 00779		
3 PLC ±0.2		CAGE CODE C=1534796		
4 PLC ±0.2		DRAWING NO 100779		
ANGLES ±°		SHEET 1 OF 4		
FINISH		RESTRICTED TO		
MATERIAL		WEIGHT		
-		Customer Drawing		
-		SCALE 10:1		
-		REVISION D92		

LOC	DIST	REVISIONS			
A1	-	REV	DATE	BY	APPV
		1			
		2			
		3			
		4			
		5			
		6			
		7			
		8			
		9			
		10			
		11			
		12			
		13			
		14			
		15			
		16			
		17			
		18			
		19			
		20			

GWEPT 750°C NO FLAME & UL94-V2. TIN PLATED VERSION (2-9 POSITION)										
COLOR CODE	POS.	DIM A	DIM B	KEYING	KEYING	KEYING	KEYING	KEYING	KEYING	TE P/N
	9	20	24.9							5-1534796-9
	9	20	24.9							2-1534796-9
	9	20	24.9							3-1534796-9
	9	20	24.9	X						4-1534796-9
ORANGE	8	17.5	22.4							2825353-8
Brown	8	17.5	22.4							9-1534796-8
	8	17.5	22.4	X						8-1534796-8
	8	17.5	22.4						X	7-1534796-8
	8	17.5	22.4							6-1534796-8
	8	17.5	22.4						X	5-1534796-8
	8	17.5	22.4							3-1534796-8
	8	17.5	22.4							2-1534796-8
Brown	8	17.5	22.4							1534796-8
	7	15	19.9							7-1534796-7
BLUE	7	15	19.9							6-1534796-7
BLUE	7	15	19.9	X						4-1534796-7
	7	15	19.9							5-1534796-7
	7	15	19.9							3-1534796-7
BLACK	6	12.5	17.4							2825353-6
	6	12.5	17.4						X	9-1534796-6
	6	12.5	17.4							8-1534796-6
	6	12.5	17.4							7-1534796-6
	6	12.5	17.4							6-1534796-6
	6	12.5	17.4							2-1534796-6
BLUE	6	12.5	17.4							5-1534796-6
	6	12.5	17.4							4-1534796-6
	6	12.5	17.4						X	3-1534796-6
ORANGE	5	10	14.9							1-2825353-5
BROWN	5	10	14.9							2825353-5
RED	5	10	14.9							8-1534796-5
	5	10	14.9							9-1534796-5
	5	10	14.9							4-1534796-5
GREEN	5	10	14.9							7-1534796-5
BROWN	5	10	14.9							6-1534796-5
	5	10	14.9						X	5-1534796-5
	5	10	14.9							3-1534796-5
BROWN	5	10	14.9							0-1534796-5
	4	7.5	12.4							2-2825353-4
GREEN	4	7.5	12.4						X	1-2825353-4
	4	7.5	12.4						X	0-2825353-4
RED	4	7.5	12.4							9-1534796-4
BLACK	4	7.5	12.4							8-1534796-4
BLACK	4	7.5	12.4	X						2-1534796-4
BLACK	4	7.5	12.4							5-1534796-4
	4	7.5	12.4							6-1534796-4
	4	7.5	12.4	X						1534796-4
	4	7.5	12.4							7-1534796-4
	4	7.5	12.4						X	4-1534796-4
	4	7.5	12.4							3-1534796-4
RED	3	5	9.9							2-1534796-3
	3	5	9.9						X	8-1534796-3
RED	3	5	9.9							9-1534796-3
	3	5	9.9							6-1534796-3
	3	5	9.9							7-1534796-3
BLACK	3	5	9.9							5-1534796-3
	3	5	9.9							4-1534796-3
	3	5	9.9						X	3-1534796-3
	2	2.5	7.4							1-1534796-2
	2	2.5	7.4							1534796-2

GWEPT 750°C NO FLAME & UL94-V2. TIN PLATED VERSION										
COLOR CODE	POS.	DIM A	DIM B	KEYING	KEYING	KEYING	KEYING	KEYING	KEYING	TE P/N
GREEN	5	10	14.9							3/4
BLACK	4	7.5	12.4							3/4
ORANGE	3	5	9.9						X	X

GWEPT 750°C NO FLAME & UL94-V2. TIN PLATED VERSION (10-20 POSITION)										
COLOR CODE	POS.	DIM A	DIM B	KEYING	KEYING	KEYING	KEYING	KEYING	KEYING	TE P/N
	20	47.5	52.4						X	3/4
	20	47.5	52.4							4-1534797-0
	19	45	49.9							3-1534797-0
	19	45	49.9							5-1534797-0
	19	45	49.9							4-1534797-0
	19	45	49.9							3-1534797-9
	18	42.5	47.4		X	X				4-1534797-8
	17	40	44.9		X	X				4-1534797-7
	17	40	44.9							10/11
	16	37.5	42.4							3-1534797-6 obsolete
	15	35	39.9		X	X				4-1534797-5
	15	35	39.9							3-1534797-5 obsolete
	14	32.5	37.4							3-1534797-4
	14	32.5	37.4							2-1534797-4
	13	30	34.9		X	X				4-1534797-3
	13	30	34.9							3-1534797-3
	12	27.5	32.4							11/12
	12	27.5	32.4						X	5-1534797-2
	12	27.5	32.4							4-1534797-2
	12	27.5	32.4							3-1534797-2
	12	27.5	32.4		X	X				10/11
	11	25	29.9							5/6
	11	25	29.9							7-1534797-1
	11	25	29.9							10/11
	11	25	29.9						X	6-1534797-1
	11	25	29.9							10/11
	11	25	29.9							5-1534797-1
	11	25	29.9							9/10
	11	25	29.9							3-1534797-1
	10	22.5	27.4							2/3
	10	22.5	27.4							6-1534796-0
	10	22.5	27.4							8/9
	10	22.5	27.4							4-1534796-0
	10	22.5	27.4							3-1534796-0
	10	22.5	27.4							7/8
	10	22.5	27.4							7-1534796-0

THIS DRAWING IS A CONTROLLED DOCUMENT. DWN: H. Karabiyik, 24MAY2002  
 CHK: B. Schnaubelt, 24MAY2002  
 APVD: T. Klenner, 24MAY2002

**STE** TE Connectivity

NAME: AMP DUOPLUG 2.5 MARK II FEMALE CONNECTOR 2-20 POSITION

PRODUCT SPEC: 108-18785  
 APPLICATION SPEC: 114-18667

SIZE: 108-18785  
 CAGE CODE: 114-18667  
 DRAWING NO: 1534796

RESTRICTED TO: -

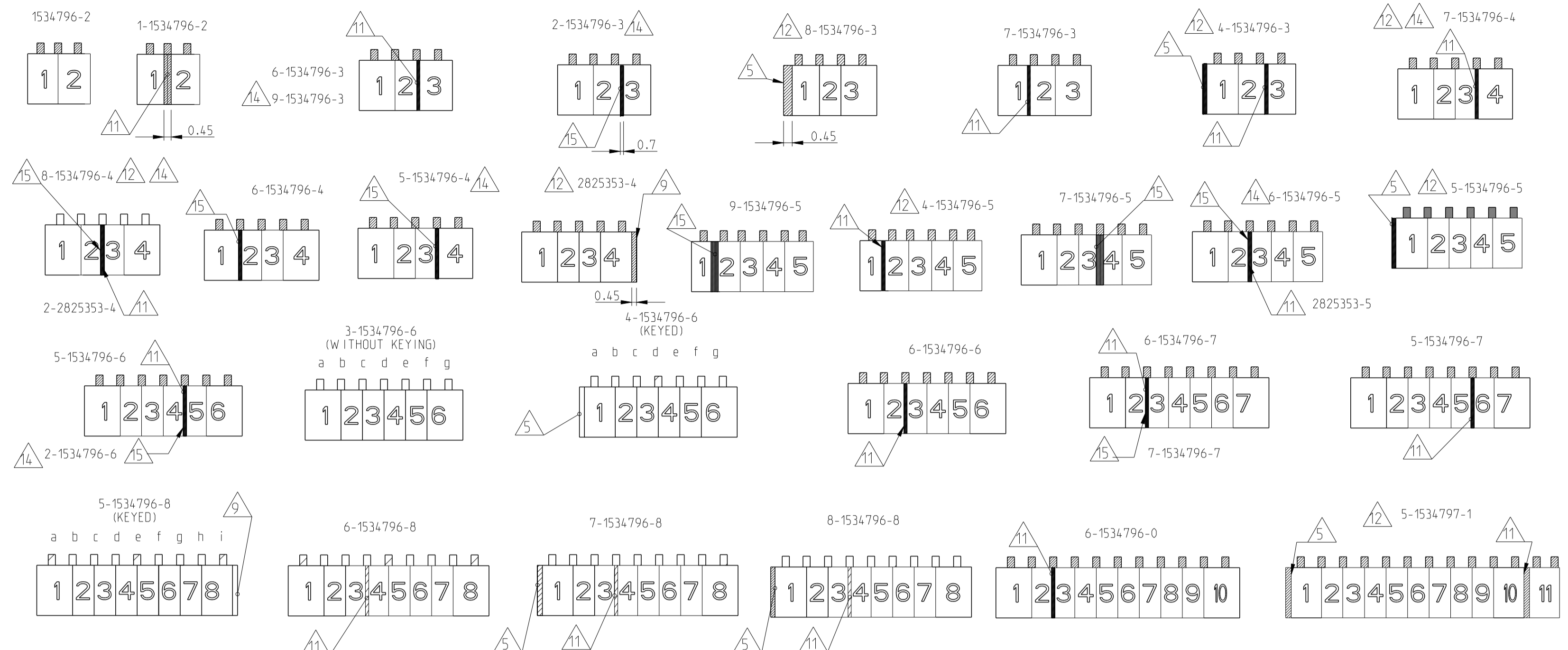
MATERIAL: -  
 FINISH: -  
 WEIGHT: -

Customer Drawing

SCALE: 10:1 SHEET: 2 OF 4

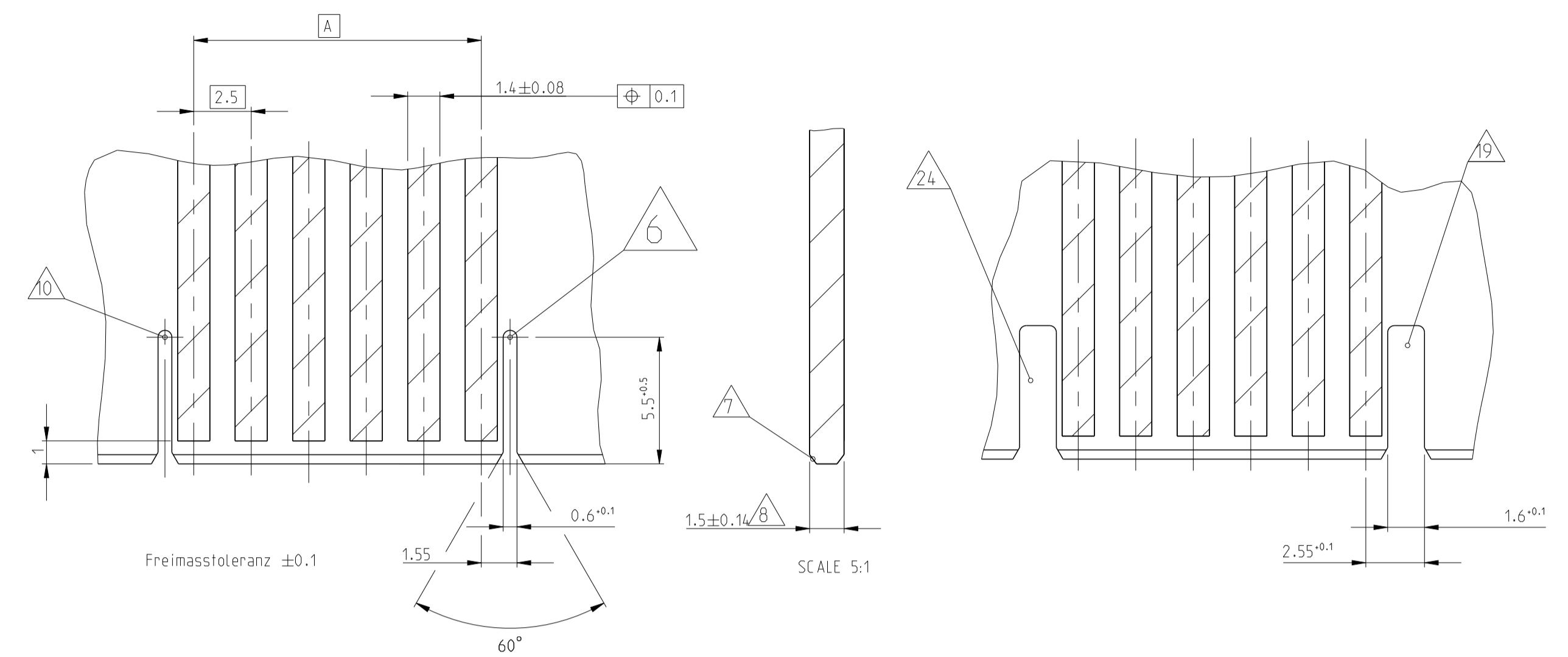
LOC		DIST		REVISIONS			
P	LTN	DATE	OWN	APVD	DESCRIPTION	DATE	OWN
-	-	-	-	-	SEE SHEET 1	-	-

**KEYING PLAN (EXAMPLES)**  
 Kodierschema (Beispiele)

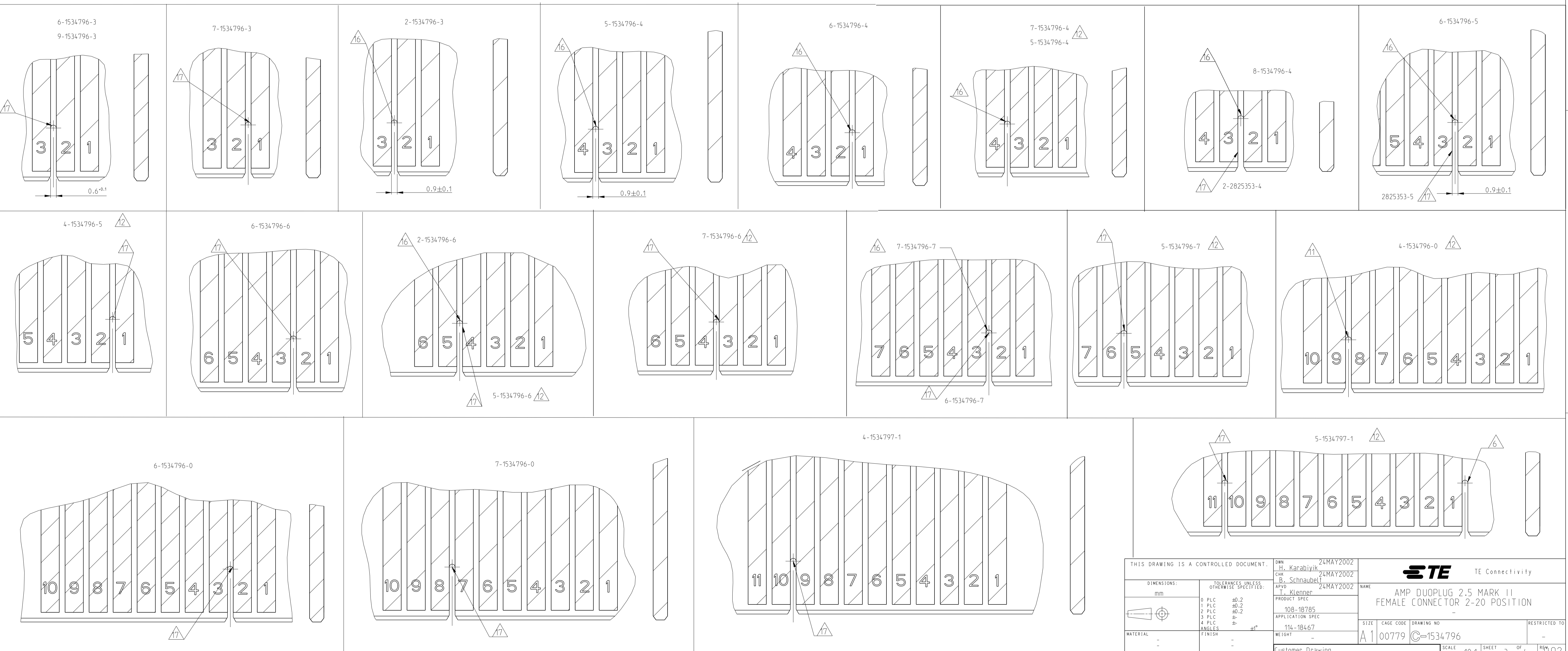


**PCB LAYOUT KEYED / CONNECTED ONLY WITH ADDITIONAL FRAME**

Leiterplattenanschluss kodiert / nur in Verbindung mit zusätzlichem Rahmen



**PCB LAYOUT FOR KEYING BETWEEN POSITION**



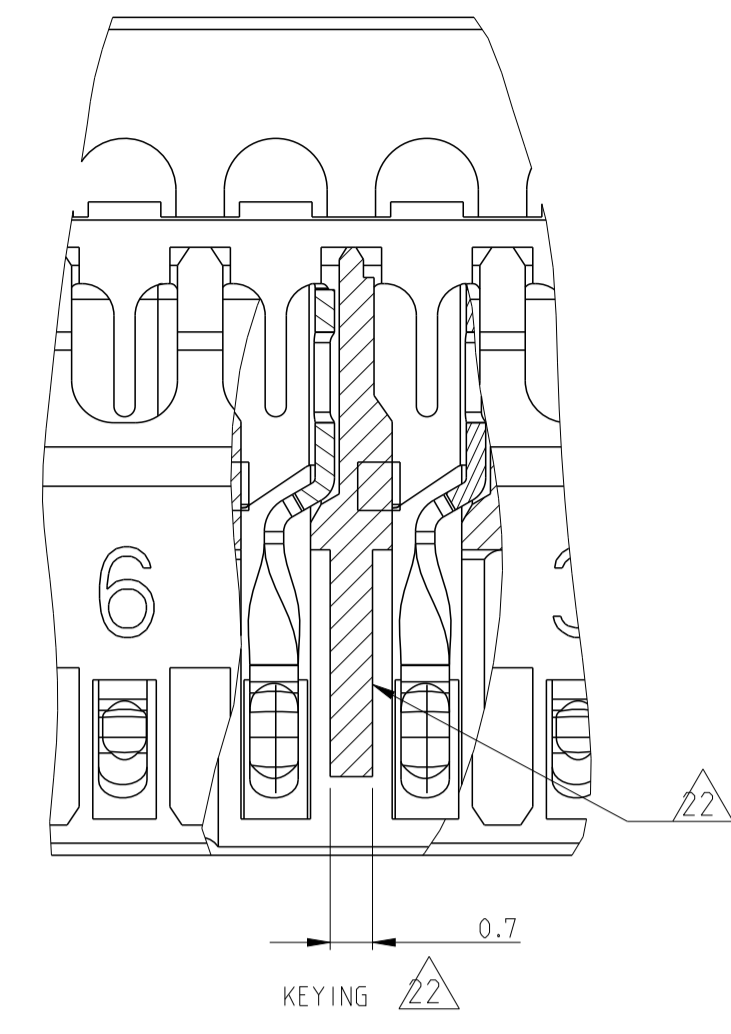
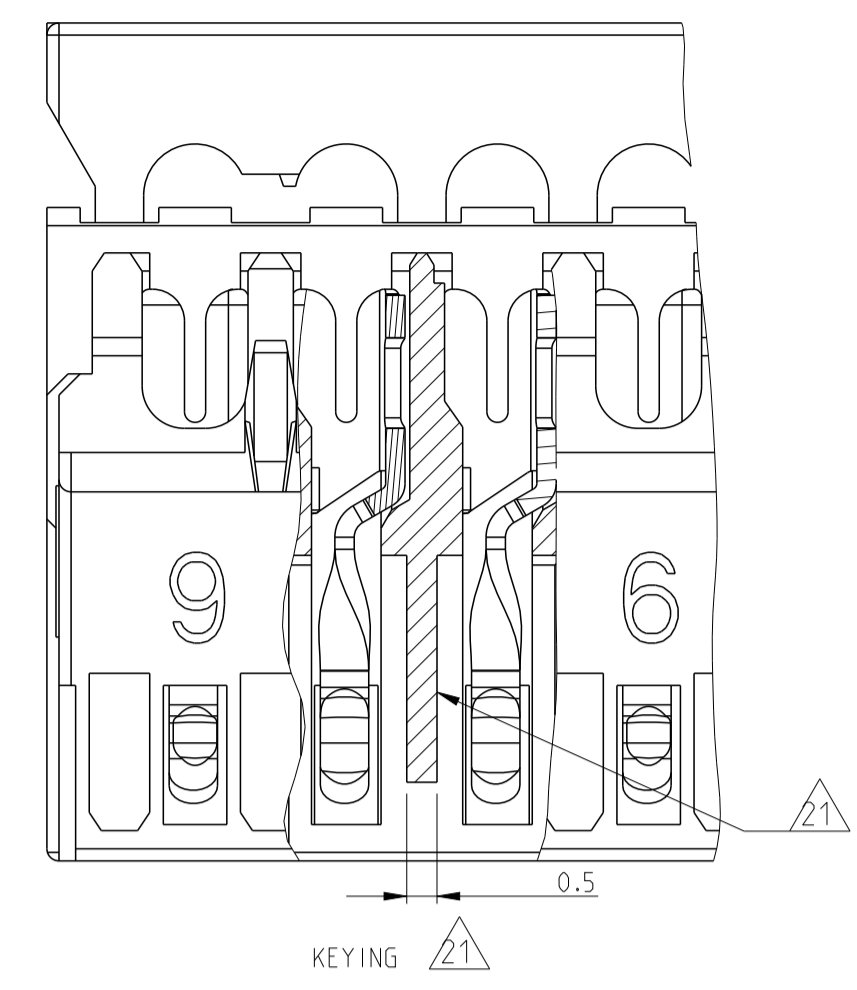
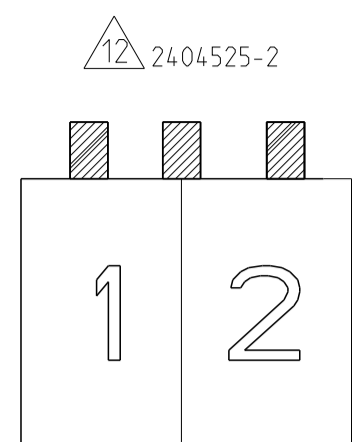
THIS DRAWING IS A CONTROLLED DOCUMENT.

OWN: H. Karabiyik	24MAY2002	TE Connectivity NAME: AMP DUOPLUG 2.5 MARK II FEMALE CONNECTOR 2-20 POSITION SIZE: 114-18467 CAGE CODE: 00779 DRAWING NO: C=1534796 RESTRICTED TO: - SCALE: 10:1 SHEET 3 OF 4
CHK: B. Schnaubelt	24MAY2002	
APVD: T. Klenner	24MAY2002	
DIMENSIONS: mm TOLERANCES UNLESS OTHERWISE SPECIFIED: 0 PLC ±0.2 1 PLC ±0.2 2 PLC ±0.2 3 PLC ±0.2 4 PLC ±0.2 ANGLES ±° MATERIAL: - FINISH: -		

Customer Drawing

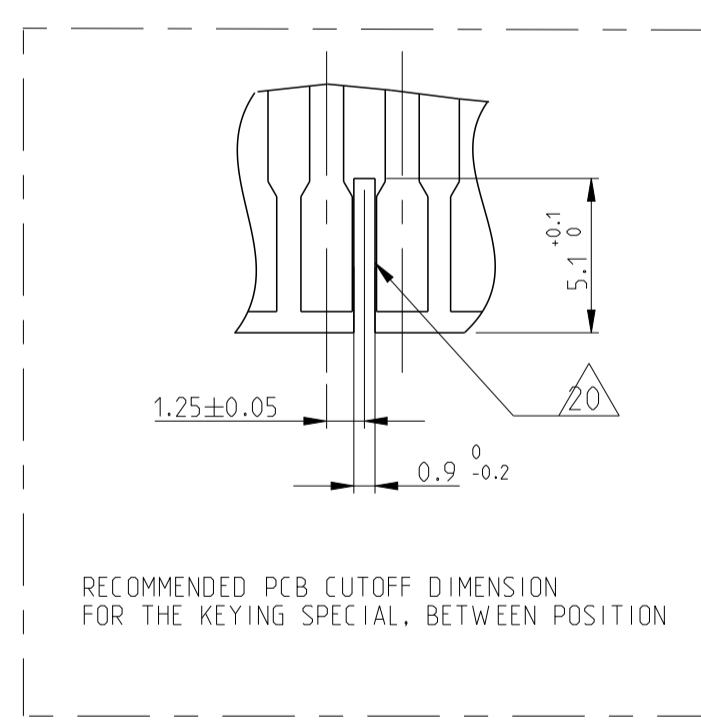
LOC	DIST	REVISIONS					
		P	LTN	DESCRIPTION	DATE	DMN	APVD
A1	-	-	-	SEE SHEET 1	-	-	-

KEYING PLAN (EXAMPLES)



PA GF. GWPT 750°C NO FLAME & UL94-V0. TIN PLATED VERSION											
Blue	20	47.5	52.4	3/4					X		2-2304526-0
Blue	20	47.5	52.4				3/4		X		1-2304526-0
	14	32.5	37.4								2304526-4
	13	30	34.9						X		2-2304526-3
Blue	13	30	34.9					X			1-2304526-3
	13	30	34.9				2/3				2304526-3
	12	27.5	32.4								2304526-2
	10	22.5	27.4								1-2304525-0
	9	20	24.9	-	-	-	-				3-2304525-9
Blue	8	17.5	22.4	-	-	-	-				2-2304525-8
	8	17.5	22.4	-	-	-	-				1-2304525-8
Brown	8	17.5	22.4	-	-	-	2/3				2304525-8
	7	15	19.9	-	-	-	-				2304525-7
Black	6	12.5	17.4	-	-	-	-				4-2304525-6
GREEN	6	12.5	17.4	-	-	-	1/2				3-2304525-6
Red	6	12.5	17.4	-	-	-	2/3				2-2304525-6
	6	12.5	17.4	-	-	-	-				1-2304525-6
Blue	6	12.5	17.4	-	-	-	4/5				2304525-6
	5	10	14.9	4/5							5-2304525-5
	5	10	14.9		1/2	-	-				4-2304525-5
Green	5	10	14.9	-	-	-	3/4				2-2304525-5
Brown	5	10	14.9	-	-	-	2/3				1-2304525-5
	5	10	14.9	-	-	-	-				2304525-5
Orange	4	7.5	12.4				1/2				5-2304525-4
Black	4	7.5	12.4	-	3/4	-	-				4-2304525-4
Blue	4	7.5	12.4	-	-	-	-				3-2304525-4
	4	7.5	12.4	-	-	-	-				2-2304525-4
Brown	4	7.5	12.4	-	-	-	1/2				1-2304525-4
Black	4	7.5	12.4	-	-	-	3/4				2304525-4
	3	5	9.9					X			7-2304525-3
Red	3	5	9.9				2/3				6-2304525-3
Black	3	5	9.9				1/2				5-2304525-3
	3	5	9.9					X	X		4-2304525-3
Red	3	5	9.9			2/3					3-2304525-3
	3	5	9.9							X	2-2304525-3
	3	5	9.9	-	-	-	-				1-2304525-3
Black	3	5	9.9	-	-	1/2	-				2304525-3
	2	2.5	7.4								2304525-2
Color Code	POS. Polzahl	DIM A	DIM B	KEYING	KEYING	KEYING	KEYING	KEYING	KEYING	KEYING	PN Bestell-Nr.
		2									TINNED
		1	SEE TABLE		CONTACT HOUSING		CuSn				NATUR
		SL NO	PN		DESCRIPTION		MATERIAL				COLOUR/FINISH

KEYING. SPECIAL THICK. BETWEEN POSITION. THICKNESS 0.7mm  
 KEYING. SPECIAL THIN. BETWEEN POSITION. THICKNESS 0.5mm  
 SLOT FOR KEYING SPECIAL. BETWEEN POSITION



THIS DRAWING IS A CONTROLLED DOCUMENT.

OWN: H. Karabiyik 24MAY2002  
 CHK: B. Schnaubelt 24MAY2002  
 APVD: T. Klenner 24MAY2002

TE Connectivity

NAME: AMP DUOPLUG 2.5 MARK II FEMALE CONNECTOR 2-20 POSITION

PRODUCT SPEC: 108-18785  
 APPLICATION SPEC: 114-18467

SIZE: A1 CAGE CODE: 00779 DRAWING NO: 1534796  
 WEIGHT: -

Customer Drawing SCALE: 10:1 SHEET: 4 OF 4