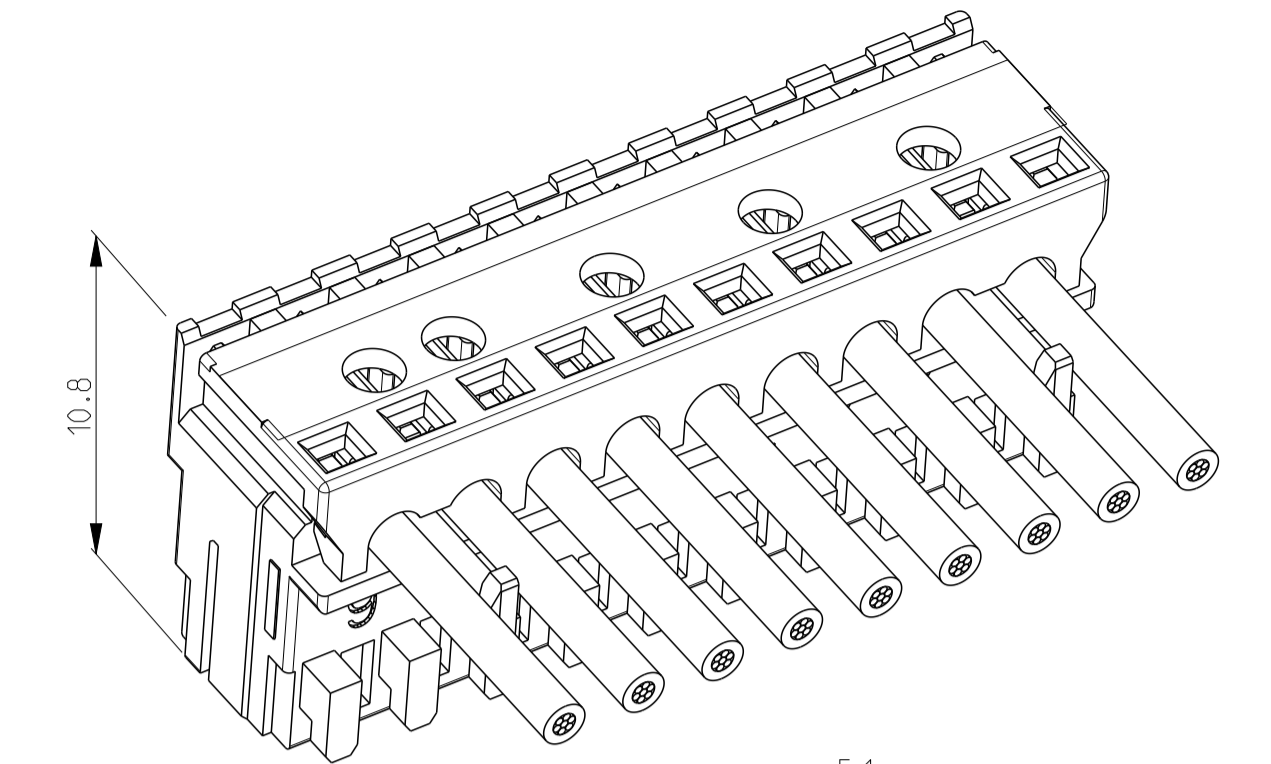
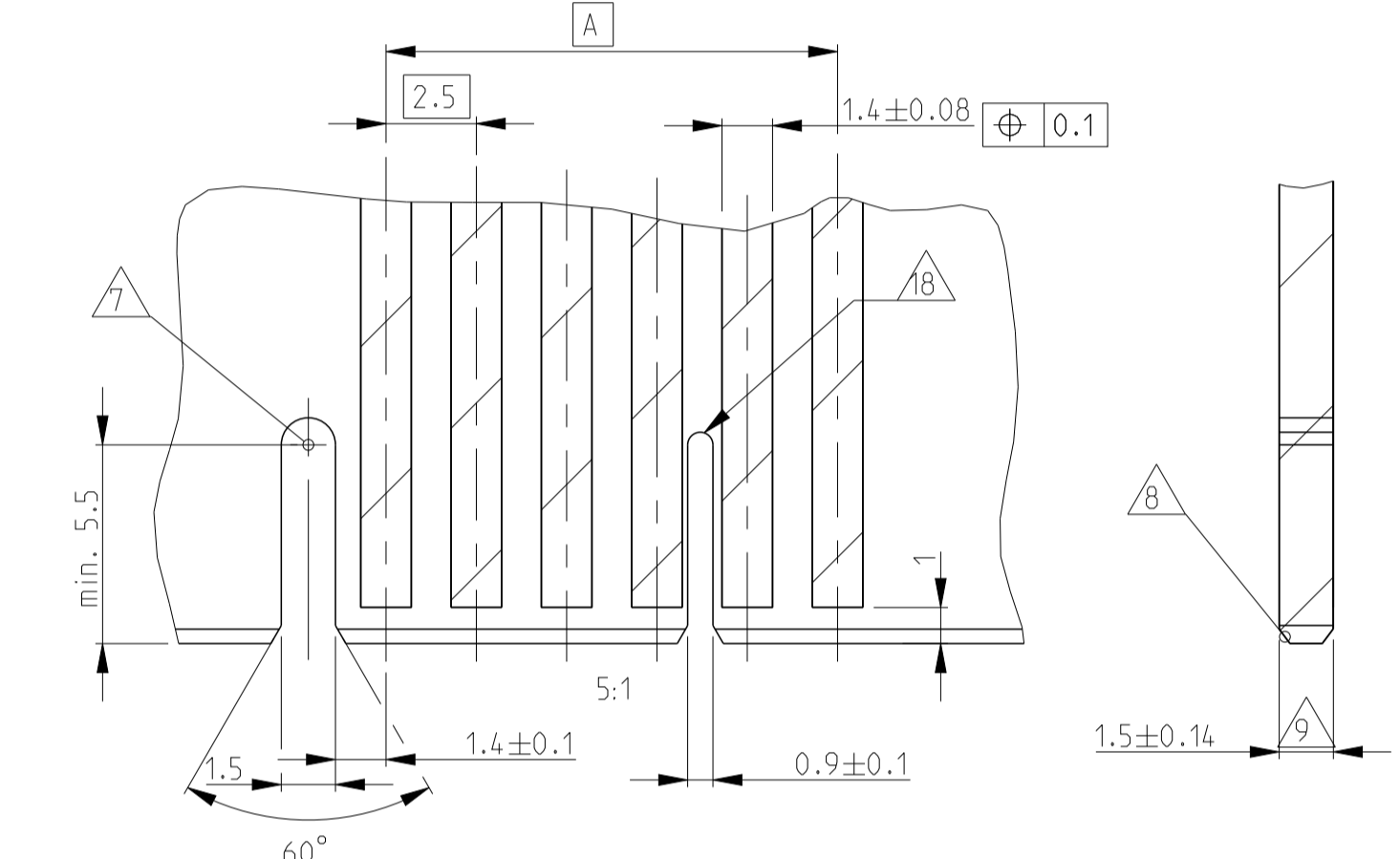


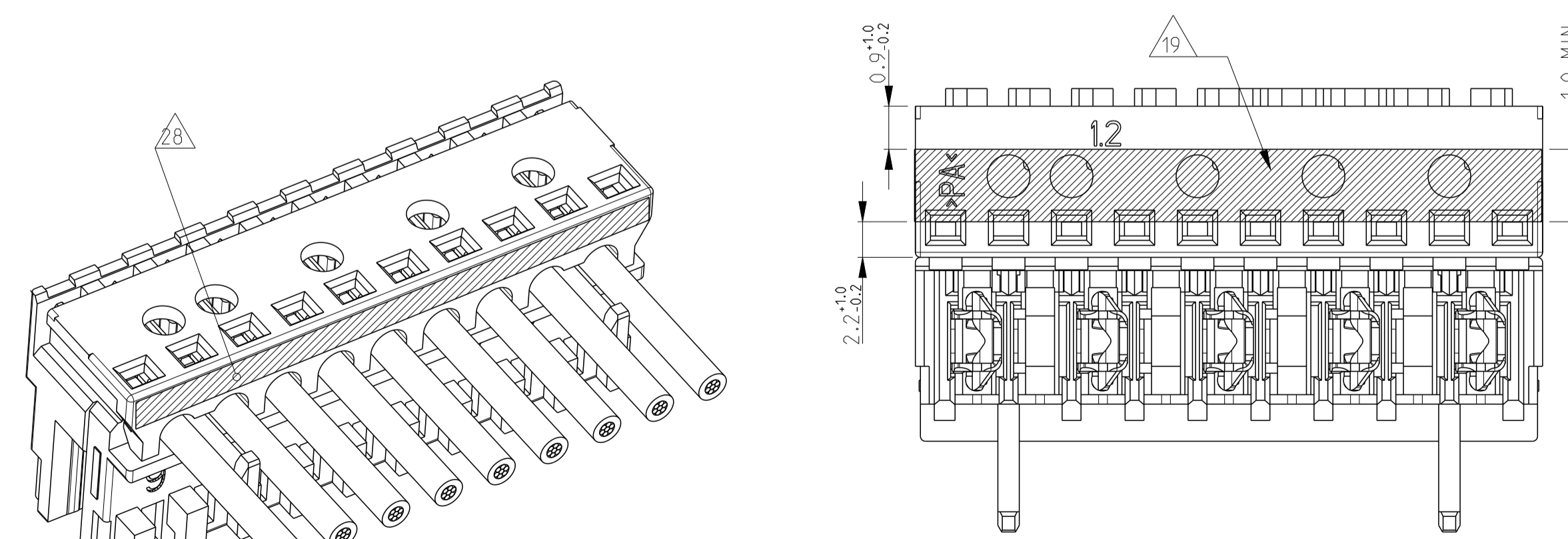
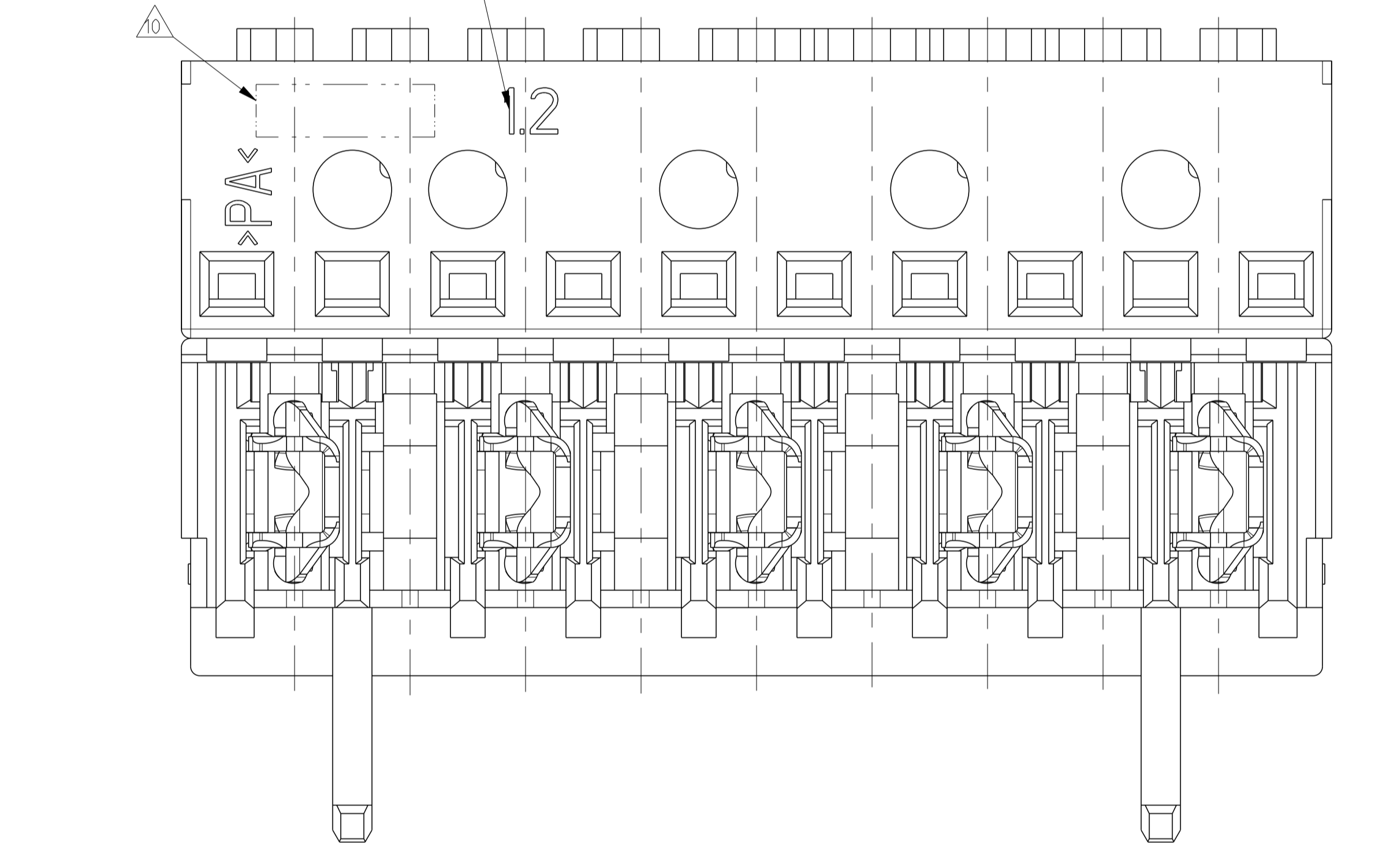
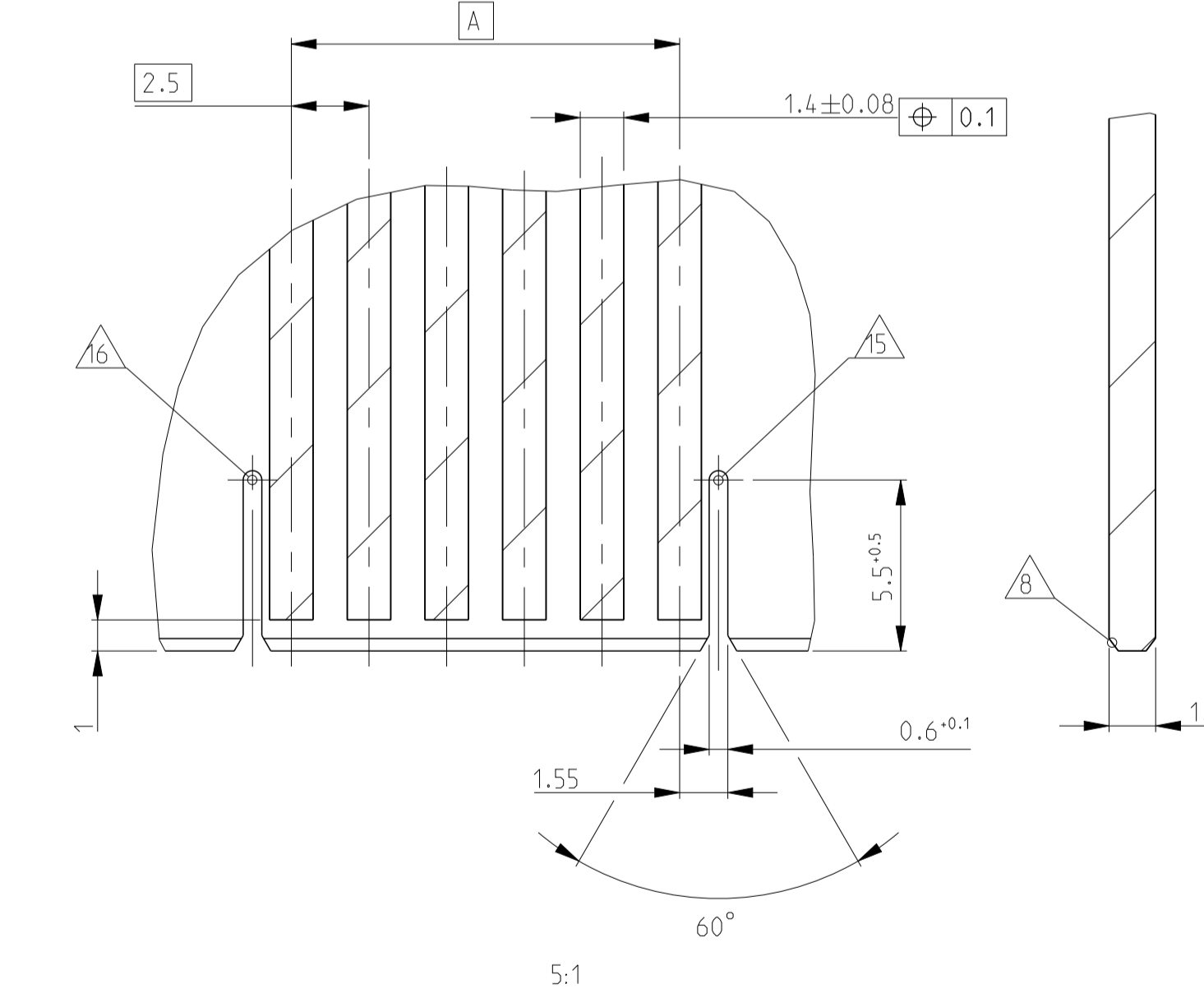
LOC	DIST	REVISIONS					
A1	-	P	LTH	DESCRIPTION	DATE	DWN	APVD
		D74		ECR-24-210631	04 JUN2024	SP	FL
		D75		ECR-24-212370	25 JUN2024	SP	FL
		D76		ECR-24-220161	10 SEP2024	TL	FL
		D77		ECR-24-221724	25 SEP2024	TL	FL



PCB LAYOUT KEYED / CONNECTED ONLY WITH ADDITIONAL FRAME (THICK KEYING)
Leiterplattenanschluss kodiert / nur in Verbindung mit zusätzlichem Rahmen



PCB LAYOUT KEYED / CONNECTED ONLY WITH ADDITIONAL FRAME (SLIM KEYING)
Leiterplattenanschluss kodiert / nur in Verbindung mit zusätzlichem Rahmen



- △29 CAVITY ID STARTS WITH LETTER FOR PARTS PRODUCTION IN QINGDAO PLANT, SUCH AS "A1."
- △28 STRIPE IN YELLOW COLOR WHERE SHOWN PRESENT ON THE PARTS PRODUCED IN TE COLLEGO ONLY
- △27 DIMENSION AVAILABE FOR PART X-2304525-X, X-2304526-X.
- △26 WITH SPECIAL CHAIN FEATURE
- △25 SIDE KEYING ON LAST CAVITY THICKNESS=1.5mm
- △24 SIDE KEYING ON CAVITY 1 THICKNESS=1.5mm
- △19 COLOR STRIP ON COVER OF HOUSING. NOT THE COLOR OF HOUSING.
- △18 SLOT, THICK, BETWEEN CAVITIES
- △17 KEYING, THICK, BETWEEN POSITION. THICKNESS 0.7mm
- △16 SLOT, SLIM, FOR SIDE KEYING, LAST CAVITY
- △15 SLOT, SLIM, FOR SIDE KEYING, SIDE CAVITY 1
- △14 SIDE KEYING, SLIM, ON LAST CAVITY. THICKNESS 0.45mm
- △13 SIDE KEYING, SLIM, ON CAVITY 1. THICKNESS 0.45mm
- △12 KEYING SLIM BETWEEN POSITIONS. THICKNESS 0.45mm
- △11 PRELIMINARY PART NOT RELEASED FOR PRODUCTION
- △10 TE LOGO
- △9 INCLUSIVE COPPER LOADING
- △8 PCB PREFERABLY CHAMFERED
- △7 SLOT, THICK, FOR SIDE KEYING
- △6 SIDE KEYING, THICK, ON LAST CAVITY. THICKNESS 0.7mm
- 5 WIRE RANG: 0.22-0.35mm² SEE APPLICATION SPEC. 114-18467
- △4 IEC60695-2-11 / IEC60335-1 GLOW WIRE TEST 750 °C W WITHOUT FLAME
- △3 X..CAVITY LOADED WITH CONTACT
O..CAVITY WITHOUT CONTACT
- 2 MATING PART: PCB (WITH FRAMES ACC. RAST 2.5 E.G. PN 964 575/576
TAB HEADER (FOR EXAMPLE: X-1971921/922-Y)
- △1 KEYING RIBS: CUTTING WITH TERMINATION MACHINE POSSIBLE

OTHER NOTE SEE SHEET 3 OF 3.

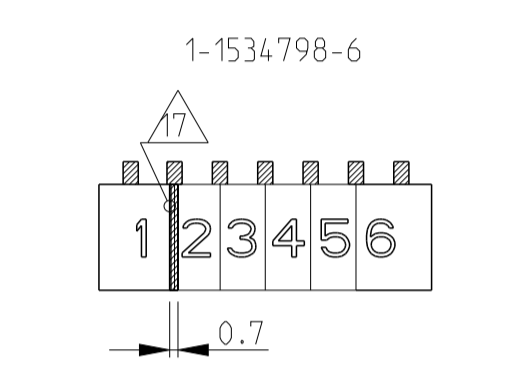
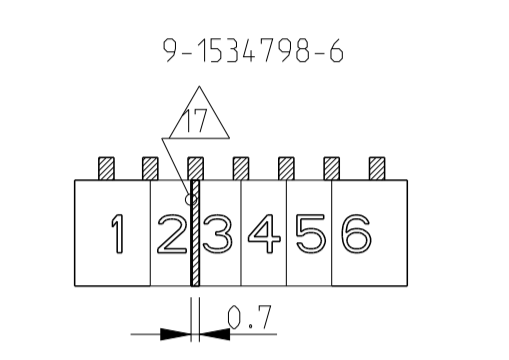
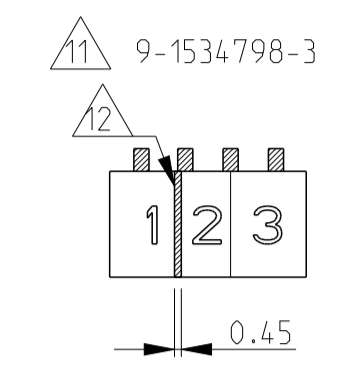
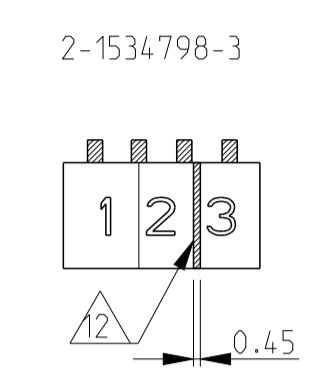
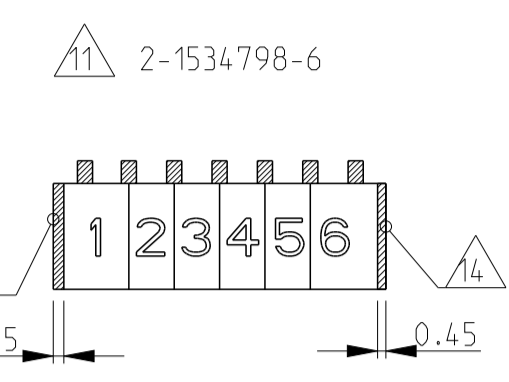
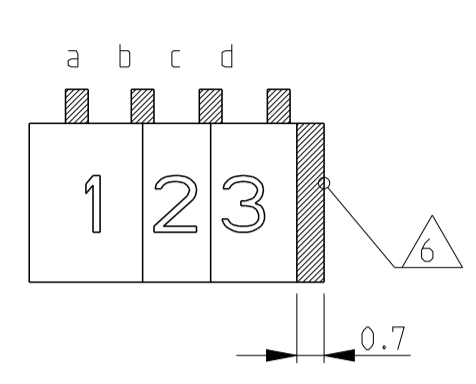
THIS DRAWING IS A CONTROLLED DOCUMENT.		OWN: H. Karabiyik 24MAY2002	TE Connectivity
DIMENSIONS: mm		CHK: B. Schnaubelt 24MAY2002	
TOLERANCES UNLESS OTHERWISE SPECIFIED:		APVD: T. Klenner 24MAY2002	NAME: AMP DUOPLUG 2.5 MARK II FEMALE CONNECTOR 3-20 POSITION SELECTIVE LOADED
0 PLC ±0.2 1 PLC ±0.2 2 PLC ±0.2 3 PLC ±0.2 4 PLC ±0.2 ANGLES ±°		PRODUCT SPEC: 108-18785 APPLICATION SPEC: 114-18467 WEIGHT: -	
MATERIAL: -		FINISH: -	SIZE: A1 CAGE CODE: 00779 DRAWING NO: C=1534798 RESTRICTED TO: -
Customer Drawing		SCALE: 5:1	SHEET: 1 OF 4

LOC	DIST	REV	DATE	BY	CHK	APVD
A1	-	1	-	-	-	-

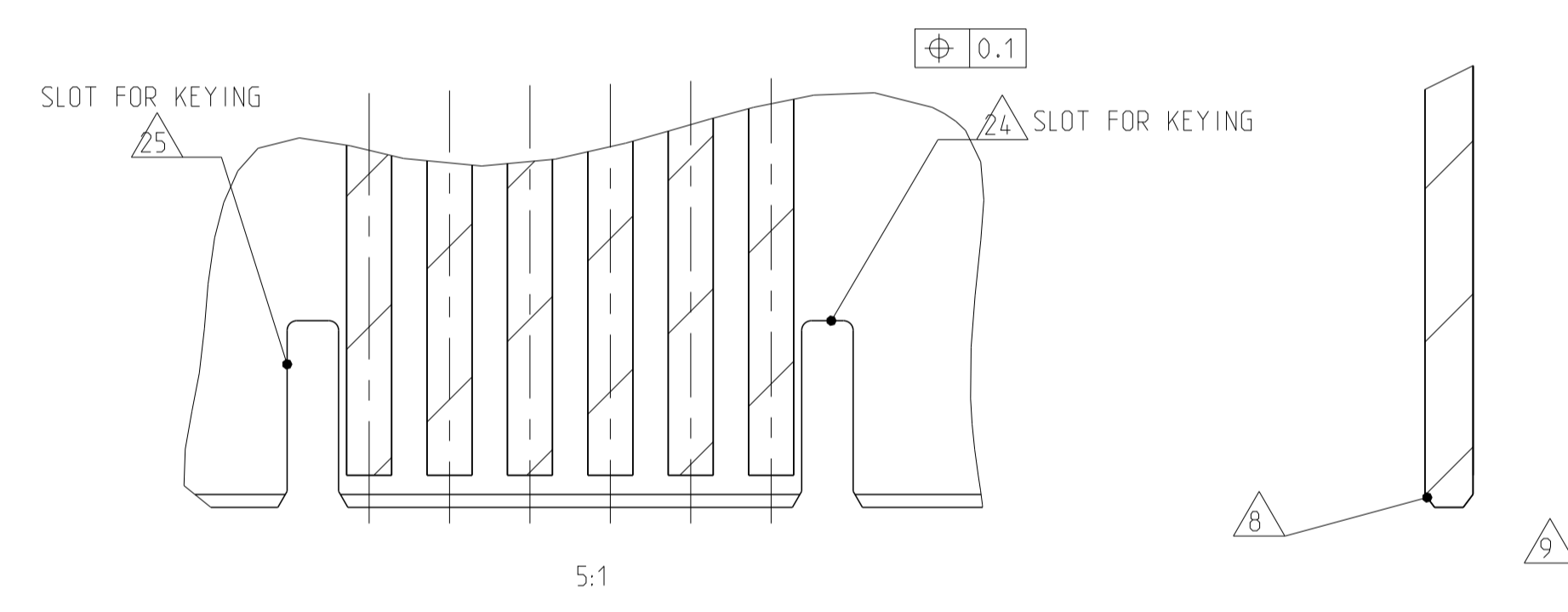
KEYING PLAN

Kodierschema

4-1534798-3



PCB LAYOUT KEYED / CONNECTED ONLY WITH ADDITIONAL FRAME (KEYING THICKNESS-1.5mm)



GWEPT 750°C NO FLAME & UL94-V2, TIN PLATED VERSION, 3P-9P

Color	9	8	7	6	5	4	3	2	1	POS. Polzahl	DIM A	DIM B	25	24	17	12	14	13	6	PN Bestell-Nr.
	X	0	X	0	0	X	X	X	X											7-1534798-9
	X	0	X	X	X	X	X	X	0											6-1534798-9
	X	0	X	X	0	X	X	0	X		9	20	24.9							5-1534798-9
	X	0	X	X	0	X	0	X	X											4-1534798-9
	X	0	X	0	X	0	X	0	X											3-1534798-9
	X	0	X	0	X	X	X	X	X											9-1534798-8
	X	X	0	X	X	X	0	X	X											8-1534798-8
	X	0	X	X	X	X	X	X	X											7-1534798-8
	X	X	X	X	X	X	0	X	X											6-1534798-8
	X	X	X	X	0	X	0	X	X											5-1534798-8
	X	X	0	0	0	X	X	X	X											4-1534798-8
	X	X	X	0	0	0	X	X	X											3-1534798-8
	X	X	0	X	0	X	X	X	X											2-1534798-8
Blue			X	0	X	0	X	0	X									2/3		7-1534798-7
Black			X	0	X	0	X	0	X											6-1534798-7
			X	0	X	0	0	0	X											5-1534798-7
			X	0	X	X	X	X	X											4-1534798-7
			X	0	X	0	X	0	X											3-1534798-7
Orange			X	X	0	0	X	0	X											1534798-7
			X	0	X	X	0	X	X										X	2-1534798-6
Black			X	0	X	X	0	X	X										1/2	1-1534798-6
Red			X	0	X	X	0	X	X										2/3	9-1534798-6
			X	0	X	0	X	X	X											8-1534798-6
			X	X	X	0	X	X	X											7-1534798-6
			0	X	X	X	0	X	X											6-1534798-6
			X	0	X	X	0	X	X											5-1534798-6
			X	0	X	X	0	X	X										X	2314657-6
			X	0	X	X	0	X	X										X	1-2314657-6
			0	0	0	X	0	X	X											4-1534798-6
			X	X	0	X	0	X	X											3-1534798-6
			X	X	0	X	X	X	X										1/2	9-1534798-5
Brown			X	0	X	0	X	X	X										4/5	8-1534798-5
			X	0	X	0	0	0	0											7-1534798-5
Black			X	0	X	0	X	X	X											6-1534798-5
			X	X	X	0	X	X	X											5-1534798-5
			X	0	0	0	X	X	X											4-1534798-5
			X	0	X	0	X	X	X											3-1534798-5
			X	0	X	X	X	X	X											2-1534798-5
			X	X	0	X	X	X	X											3-1534798-4
			X	0	X	X	X	X	X											2534798-3
Orange			X	0	X	X	X	X	X											1-1534798-3
			X	0	X	X	X	X	X										2/3	1534798-3
Orange			X	0	X	X	X	X	X										1/2	9-1534798-3
			X	0	X	X	X	X	X										2/3	2-1534798-3
Red			X	0	X	X	X	X	X											8-1534798-3
Green			X	0	X	X	X	X	X											7-1534798-3
Blue			X	0	X	X	X	X	X											6-1534798-3
			0	X	X	X	X	X	X											5-1534798-3
Violet			X	0	X	X	X	X	X											4-1534798-3
			X	0	X	X	X	X	X											3-1534798-3

2	SEE TABLE	CONTACT/Kontakt	CuSn	TINNED/verzinkt
1	siehe Tabelle	HOUSING/Federleistengeh.	HIGH TEMP PLASTIC	NATUR/Natur
POS.	PN Bestell-Nr.	DESCRIPTION Beschreibung	MATERIAL	COLOUR/FINISH Farbe/Oberflaeche

THIS DRAWING IS A CONTROLLED DOCUMENT.

DIMENSIONS: mm

TOLERANCES UNLESS OTHERWISE SPECIFIED:

0 PLC	±0.2
1 PLC	±0.2
2 PLC	±0.2
3 PLC	±0.2
4 PLC	±0.2
ANGLES	±0.1°
FINISH	±0.1

MATERIAL: - FINISH: -

Customer Drawing

DATE: 24MAY2002

CHK: H. Karabiyik

APVD: T. Klenner

PRODUCT SPEC: 108-18785

APPLICATION SPEC: 114-18467

WEIGHT: -

SCALE: 5:1

SHEET: 2 OF 4

REV: 077

PN: AMP DUOPLUG 2.5 MARK II FEMALE CONNECTOR 3-20 POSITION SELECTIVE LOADED

SIZE: A1

CAGE CODE: 00779

DRAWING NO: 1534798

RESTRICTED TO: -

LOC	DIST	REVISIONS					
		P	LTN	DESCRIPTION	DATE	OWN	APVD
A1	-			SEE SHEET 1			

GWEPT 750°C NO FLAME & UL94-V2, TIN PLATED VERSION, 10P-19P																																
																				19	45	49.9					17/18	-	-	-	2-1534799-9	
																					19	45	49.9					-	-	-	-	1-1534799-9
																					17	40	44.9					8/9				1534799-7
																					15	35	39.9					-	-	-	-	1-1534799-5
																					13	30	34.9					-	-	-	-	4-1534799-3/11
																					13	30	34.9					-	-	-	-	3-1534799-3
																					12	27.5	32.4					8/9				1-1534799-2
																					12	27.5	32.4					8/9				2-1534799-2
Black																					11	25	29.9					-	-	-	-	5-1534799-1
																					11	25	29.9					-	-	-	-	4-1534799-1
																					11	25	29.9					-	-	-	-	3-1534799-1
																					11	25	29.9					-	-	-	-	2-1534799-1
																					10	22.5	27.4					-	-	-	-	5-1534798-0
																					10	22.5	27.4					-	-	-	-	4-1534798-0/11
																					10	22.5	27.4					-	-	-	-	3-1534798-0
																					10	22.5	27.4					-	-	-	-	2-1534798-0
	20	19	18	17	16	15	14	13	12	11	10	9	8	7	6	5	4	3	2	1	POS. Polzahl	DIM A	DIM B	KEYING	KEYING	KEYING	KEYING	KEYING	KEYING	KEYING	KEYING	PN Bestell-Nr.

OBSOLETE

2	SEE TABLE	CONTACT/Kontakt	CuSn	TINNED/verzinkt
1	siehe Tabelle	HOUSING/Federleistengeh.	HIGH TEMP PLASTIC	NATUR/Natur
POS.	PN Bestell-Nr.	DESCRIPTION Beschreibung	MATERIAL	COLOUR/FINISH Farbe/Oberflaeche

GWEPT 750°C NO FLAME & UL94-V2, TIN PLATED VERSION																																
																					13	30	34.9					2/3				5-1534799-3
																					11	25	29.9					9/10				6-1534799-1
																					10	22.5	27.4					-	-	-	-	6-1534798-0
BLUE																					7	15	19.9					-	-	-	-	
																					7	15	19.9					-	-	-	-	
																					6	12.5	17.4					-	-	-	-	
																					6	12.5	17.4					-	-	-	-	
RED																					6	12.5	17.4					2/3				2-2314657-6
																					6	12.5	17.4					-	-	-	-	
	20	19	18	17	16	15	14	13	12	11	10	9	8	7	6	5	4	3	2	1	POS. Polzahl	DIM A	DIM B	KEYING	KEYING	KEYING	KEYING	KEYING	KEYING	KEYING	KEYING	PN Bestell-Nr.

2	SEE TABLE	CONTACT/Kontakt	CuSn	TINNED/verzinkt
1	siehe Tabelle	HOUSING/Federleistengeh.	HIGH TEMP PLASTIC	NATUR/Natur
POS.	PN Bestell-Nr.	DESCRIPTION Beschreibung	MATERIAL	COLOUR/FINISH Farbe/Oberflaeche

THIS DRAWING IS A CONTROLLED DOCUMENT. **TE Connectivity**

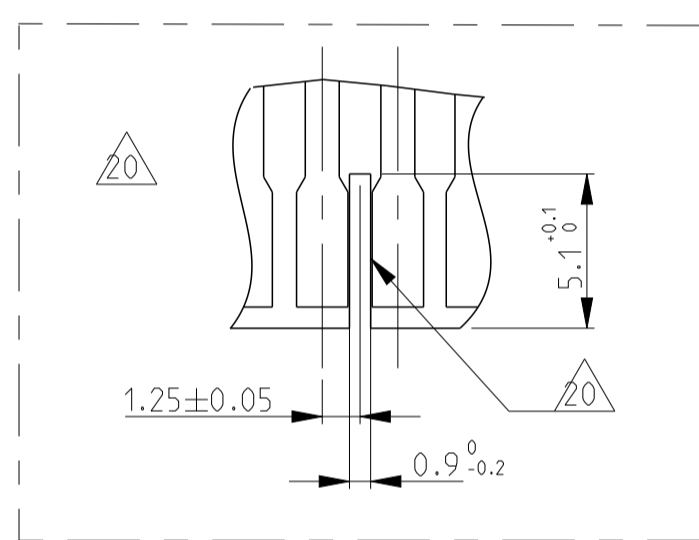
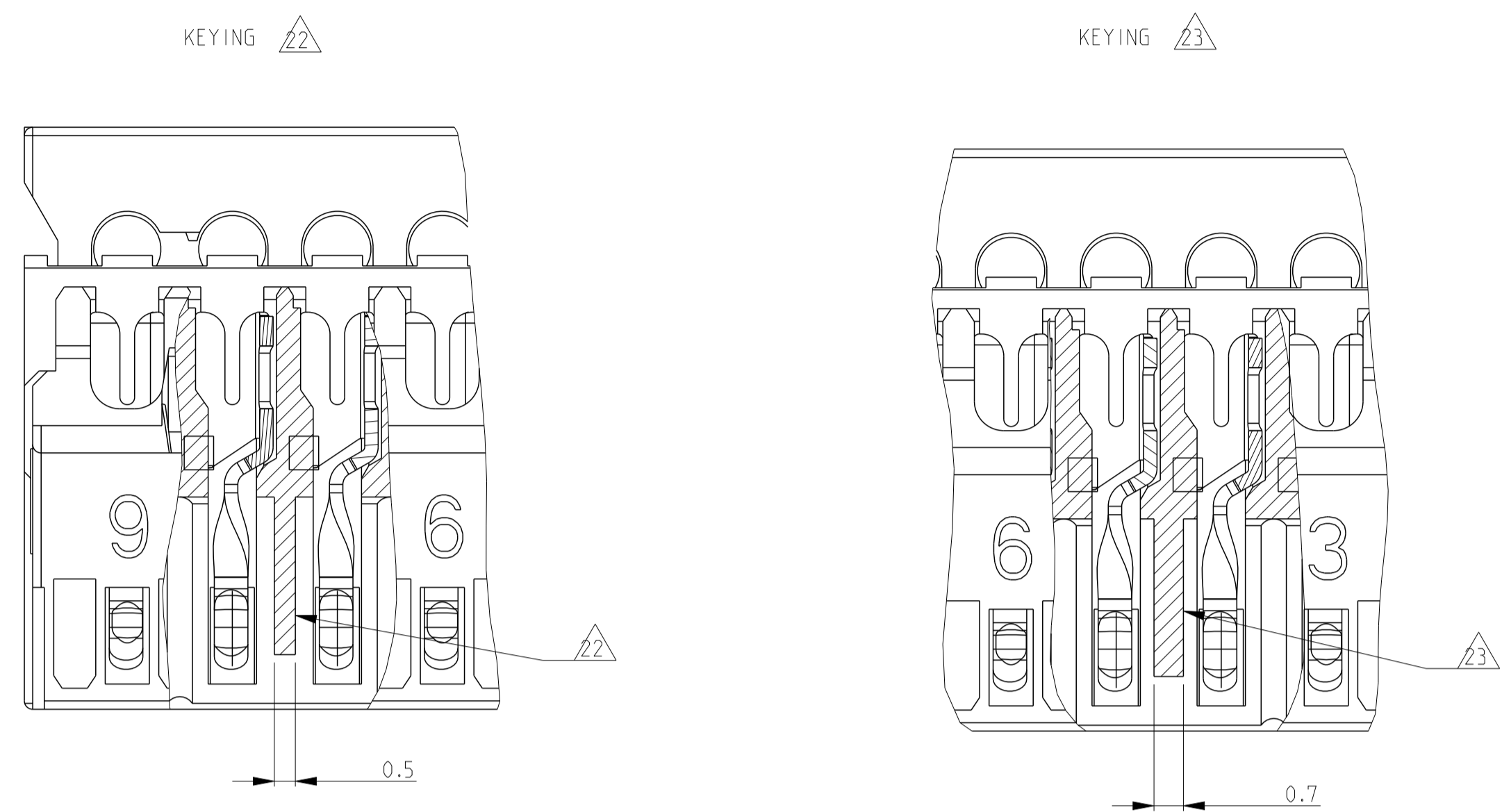
DIMENSIONS: mm	TOLERANCES UNLESS OTHERWISE SPECIFIED:	OWN: H. Karabiyik 24MAY2002	CHK: B. Schnaubelt 24MAY2002	APVD: T. Klenner 24MAY2002
0 PLC ±0.2	1 PLC ±0.2	2 PLC ±0.2	3 PLC ±0.2	4 PLC ±0.2
ANGLES	FINISH	116-18467	WEIGHT	Customer Drawing

NAME: AMP DUOPLUG 2.5 MARK II FEMALE CONNECTOR 3-20 POSITION SELECTIVE LOADED

SIZE: A1 CAGE CODE: 00779 DRAWING NO: 1534798 RESTRICTED TO: -

SCALE: 5:1 SHEET: 3 OF 4

REVISONS		DATE	OWN	APVD
P	LTN	DESCRIPTION		
		SEE SHEET 1		



- 23 KEYING, SPECIAL THICK. BETWEEN POSITION. THICKNESS 0.7mm
- 22 KEYING, SPECIAL THIN. BETWEEN POSITION. THICKNESS 0.5mm
- 21 SLOT FOR KEYING SPECIAL. BETWEEN POSITION
- 20 RECOMMENDED PCB CUTOFF DIMENSION FOR THE PN X-2304527-Y AND X-2304528-Y

GWEPT 750°C NO FLAME & UL94-VO, SILVER PLATED VERSION

Blue	19	18	17	16	15	14	13	12	11	10	9	8	7	6	5	4	3	2	1	POS. Polzahl	DIM A	DIM B	KEYING	KEYING	KEYING	KEYING	PN Bestell-Nr.																			
																				3	5	9.9				5-2369989-3																				
																										4-2369989-3																				
KAMMERBESTUECKUNG (CAVITIES LOADED)																																														
2 1		SEE TABLE siehe Tabelle										CONTACT/Kontakt		CuSn		SILVERED																														
POS.		PN Bestell-Nr.										HOUSING/Federleistengeh.		HIGH TEMP PLASTIC		NATUR/Natur																														
												DESCRIPTION Beschreibung		MATERIAL		COLOUR/FINISH Farbe/Oberflaeche																														

PA GF, GWEPT 750°C NO FLAME & UL94-VO, TIN PLATED VERSION

Blue	19	18	17	16	15	14	13	12	11	10	9	8	7	6	5	4	3	2	1	POS. Polzahl	DIM A	DIM B	KEYING	KEYING	KEYING	KEYING	PN Bestell-Nr.																		
																				13	30	34.9				1-2304528-3																			
																										2304528-3																			
																				12	27.5	32.4				2304528-2																			
																										3-2304528-1																			
																										2-2304528-1																			
Orange																				11	25	29.9				1-2304528-1																			
Green																										2304528-1																			
																										2-2304528-0																			
																										1-2304528-0																			
GREEN																										4-2304527-9																			
																										3-2304527-9																			
																										2-2304527-9																			
Black																										1-2304527-9																			
Blue																										2304527-9																			
Green																										6-2304527-7																			
																										4-2304527-7																			
																										3-2304527-7																			
Black																										2-2304527-7																			
Green																										1-2304527-7																			
Blue																										2304527-7																			
Red																										7-2304527-6																			
Red																										6-2304527-6																			
Black																										5-2304527-6																			
Green																										4-2304527-6																			
																										3-2304527-6																			
																										2-2304527-6																			
Blue																										1-2304527-6																			
Red																										2304527-6																			
Green																										7-2304527-5																			
Orange																										6-2304527-5																			
Red																										4-2304527-5																			
Red																										3-2304527-5																			
																										2-2304527-5																			
																										1-2304527-5																			
Green																										2304527-5																			
Black																										7-2304527-4																			
Green																										9-2304527-3																			
Red																										8-2304527-3																			
Red																										7-2304527-3																			
																										6-2304527-3																			
Blue																										5-2304527-3																			
																										4-2304527-3																			
Black																										3-2304527-3																			
Red																										2-2304527-3																			
Brown																										1-2304527-3																			
Orange																										2304527-3																			
KAMMERBESTUECKUNG (CAVITIES LOADED)																																													
2 1		SEE TABLE siehe Tabelle										CONTACT/Kontakt		CuSn		TINNED/verzinkt																													
POS.		PN Bestell-Nr.										HOUSING/Federleistengeh.		HIGH TEMP PLASTIC		NATUR/Natur																													
												DESCRIPTION Beschreibung		MATERIAL		COLOUR/FINISH Farbe/Oberflaeche																													

THIS DRAWING IS A CONTROLLED DOCUMENT. OWN: H. Karabiyik, 24MAY2002. CHK: B. Schnaubelt, 24MAY2002. APVD: T. Klenner, 24MAY2002.

DIMENSIONS: mm. TOLERANCES UNLESS OTHERWISE SPECIFIED: 0 PLC ±0.2, 1 PLC ±0.2, 2 PLC ±0.2, 3 PLC ±, 4 PLC ±, ANGLES ±°.

MATERIAL: -. FINISH: -. WEIGHT: -. Customer Drawing.

SCALE: 10:1. SHEET: 3 OF 3. REVISION: U77.

STE TE Connectivity

NAME: AMP DUOPLUG 2.5 MARK II FEMALE CONNECTOR 3-20 POSITION SELECTIVE LOADED. SIZE: A1. CAGE CODE: 00779. DRAWING NO: 1534798.