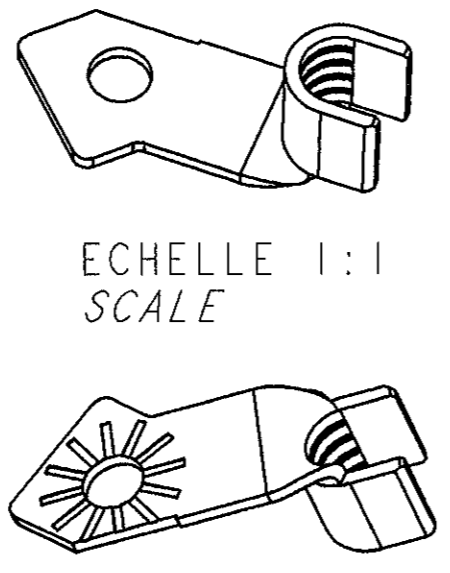
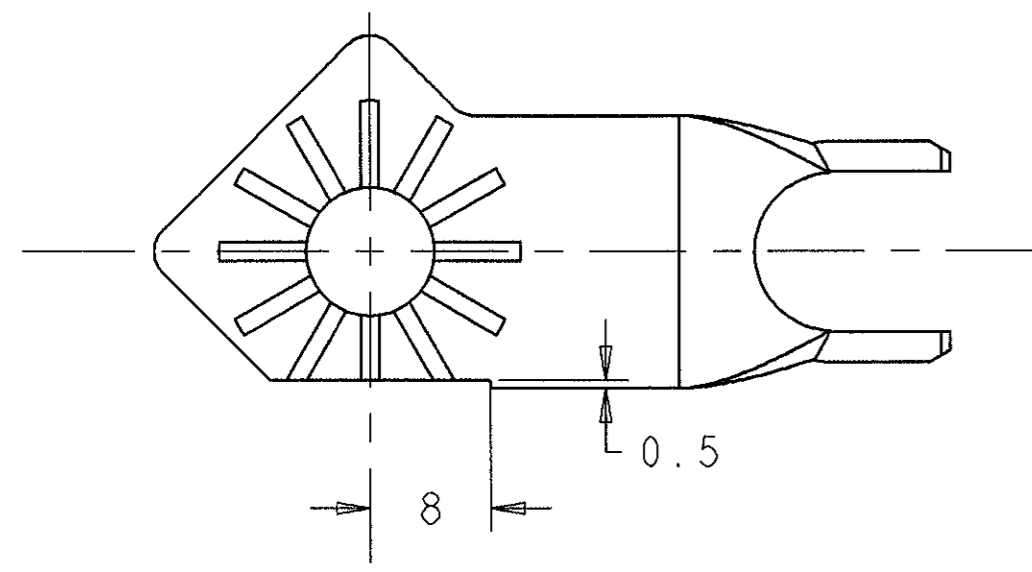
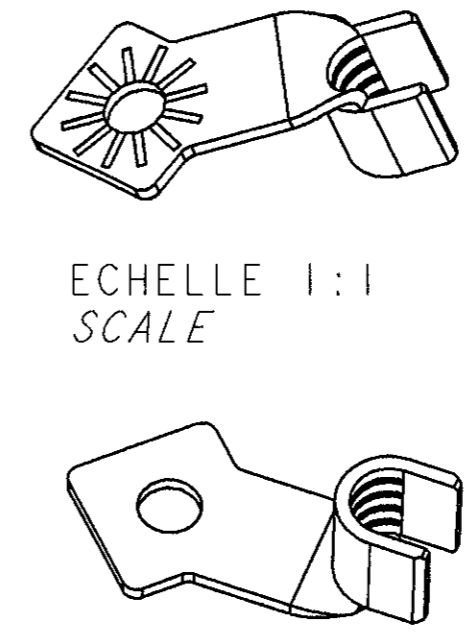
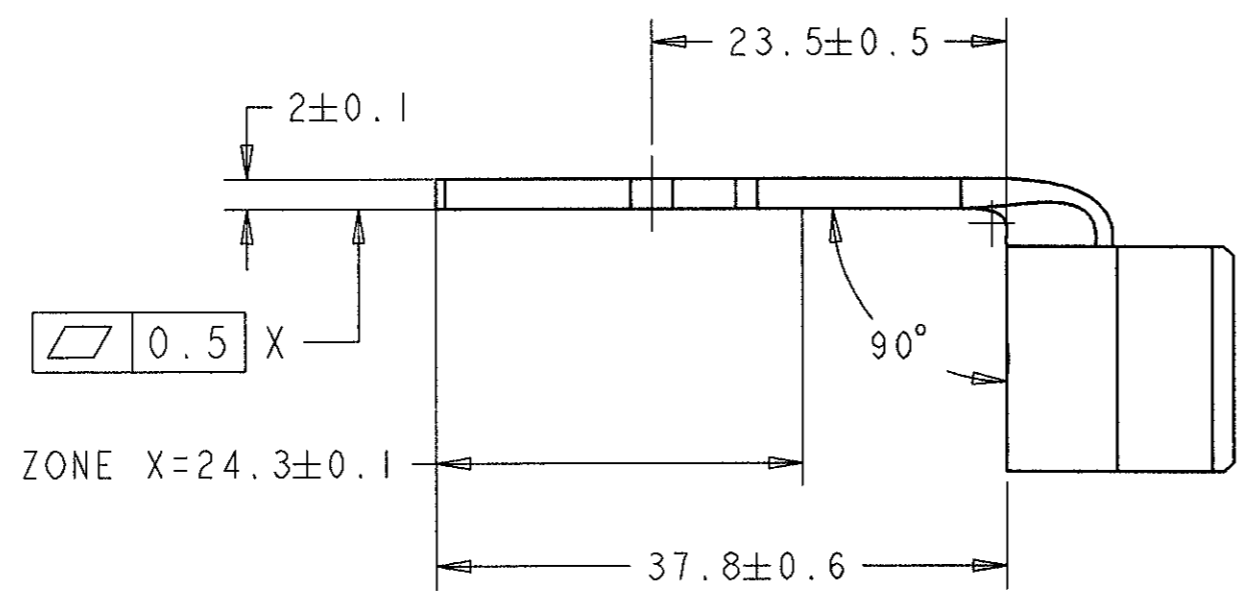
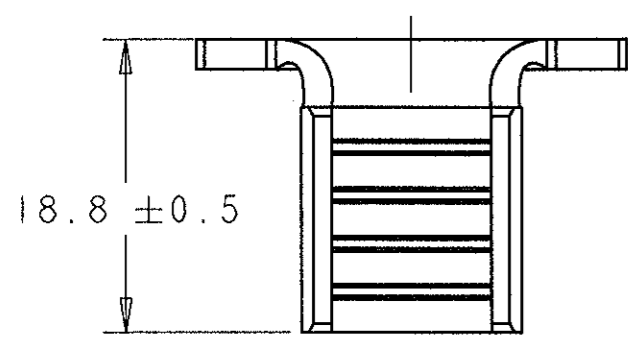


THIS DRAWING IS UNPUBLISHED. RELEASED FOR PUBLICATION
 DIFFUSION RESTREINTE LIBRE A LA DIFFUSION
 © COPYRIGHT 20 BY TYCO ELECTRONICS CORPORATION. ALL RIGHTS RESERVED.
 TOUS DROITS RESERVES

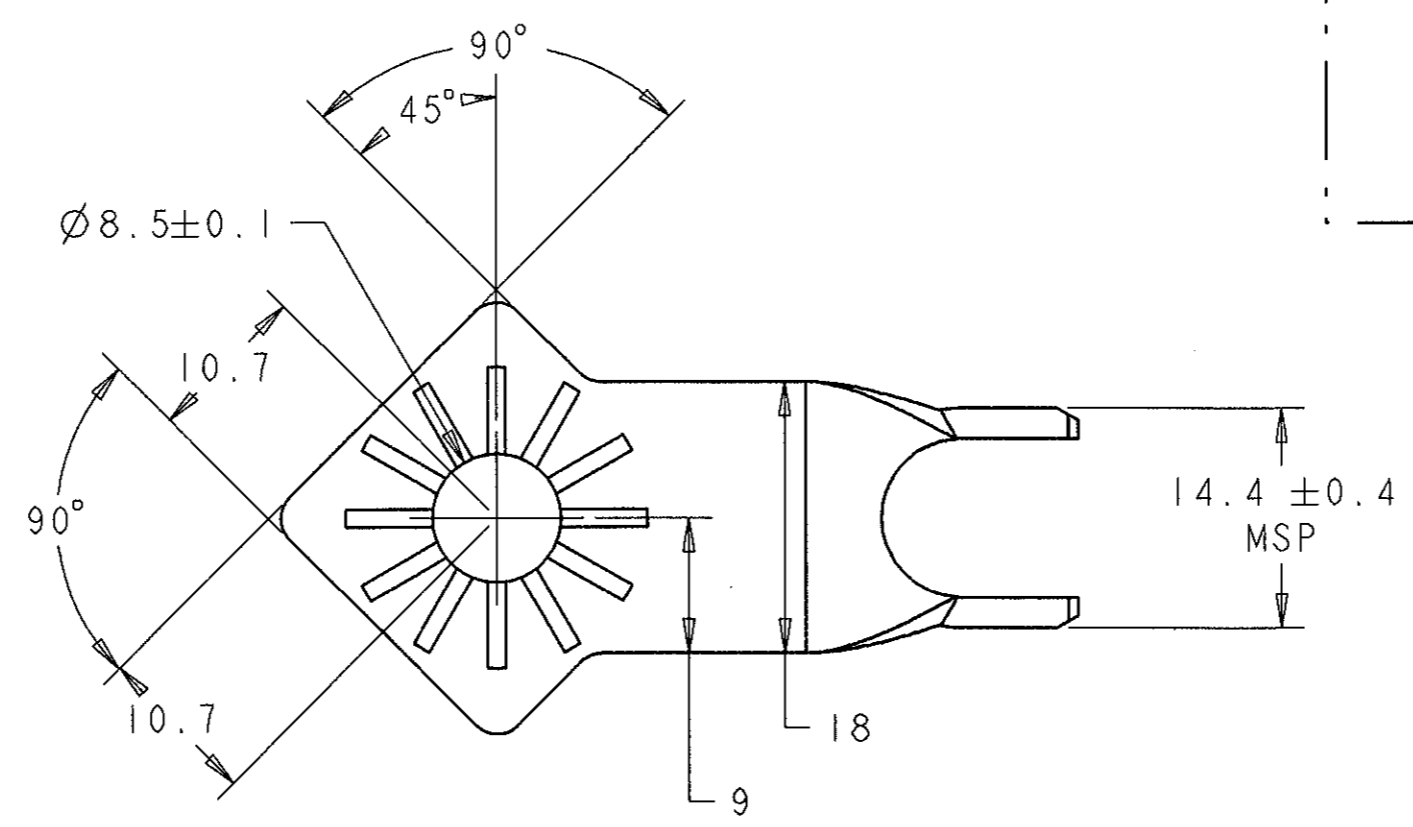
LOC		DIST		REVISIONS			
P	LTR	DESCRIPTION MODIFICATIONS	DATE	DWN DESS.	APVD APP.		
F	00	C	New version, add application spec. No, dimensions updated	09 JUL 04	PFs	JDr	



REFERENCE PART NUMBER	REFERENCE CLIENT CUSTOMER PART NUMBER	MATIERE MATERIAL	TRAITEMENT TREATMENT	PROTECTION PROTECTION
1544204-3		CuZn33	Recuit Tempering	Brut Raw
1544204-4		CuZn33	Recuit Tempering	Post étamée / Post tinned Cu: 112-300-2 : 1umini Sn: 112-16-2 : 4 & 8µ



CONDITIONNEMENT PACKAGING			
N° DU CARTON GALIA GALIA BOX NUMBER	VRAC LOOSE	NBS DE PIECES CARTON NUMBER OF PARTS INSIDE BOX	POIDS DU CARTON BOX WEIGHT
15	OUI YES	600	12.5 Kg



NOTA :
 - MSP = Cote suivie en MSP
 - (...) = Pour information

NOTE :
 - MSP = Manufacturing Control Dimension
 - (...) = For information

REFERENCE PART NUMBER	REFERENCE CLIENT CUSTOMER PART NUMBER	MATIERE MATERIAL	TRAITEMENT TREATMENT	PROTECTION PROTECTION
1544204-2		CuZn33	Recuit Tempering	Brut Raw
1544204-1		CuZn33	Recuit Tempering	Post étamée / Post tinned Cu: 112-300-2 : 1umini Sn: 112-16-2 : 4 & 8µ

THIS DRAWING IS A CONTROLLED DOCUMENT FOR TYCO ELECTRONICS CORPORATION...
 CE PLAN EST UN DOCUMENT CONTROLÉ PAR AMP INCORPORATED...
 IL EST SUSCEPTIBLE D'ÊTRE REVISÉ. CONTACTER LE SERVICE TECHNIQUE D'AMP DE FRANCE POUR OBTENIR LA DERNIÈRE RÉVISION.

DIMENSIONS: mm	TOLERANCES UNLESS OTHERWISE SPECIFIED: (SUIV. NB DE DECIMALES) 1. PLC/DEC: ± 2. PLC/DEC: ±0.2 3. PLC/DEC: ± 4. PLC/DEC: ± ANGLES: ±5°	DWN/DESSINE P. FLORES CHK/VERIFIE T. GUIMIER APVD/APROUVE J. DAHER	tyco Electronics Tyco Electronics France SAS RN 90, 38530 Chapareillan
MATERIAL MATIERE SEE TABLES	FINISH FINITION SEE TABLES	APPLICATION SPEC SPEC. APPLICATION 1544594 WEIGHT MASSE APPROX. to 18.5gr	NAME TITRE COSSE COUDEE 90° EPAISSEUR 2mm 90° RING TERMINAL, THICKNESS 2mm
		SIZE FORMAT A2 CAGE CODE 00779 DRAWING NO No PLAN C=1544204	RESTRICTED TO RESERVE A
		CUSTOMER DRAWING /PLAN CLIENT	UNIQUEMENT POUR REFERENCE

SCALE ECHELLE 2:1
SHEET FEUILLE 2 OF DE 1
REV C