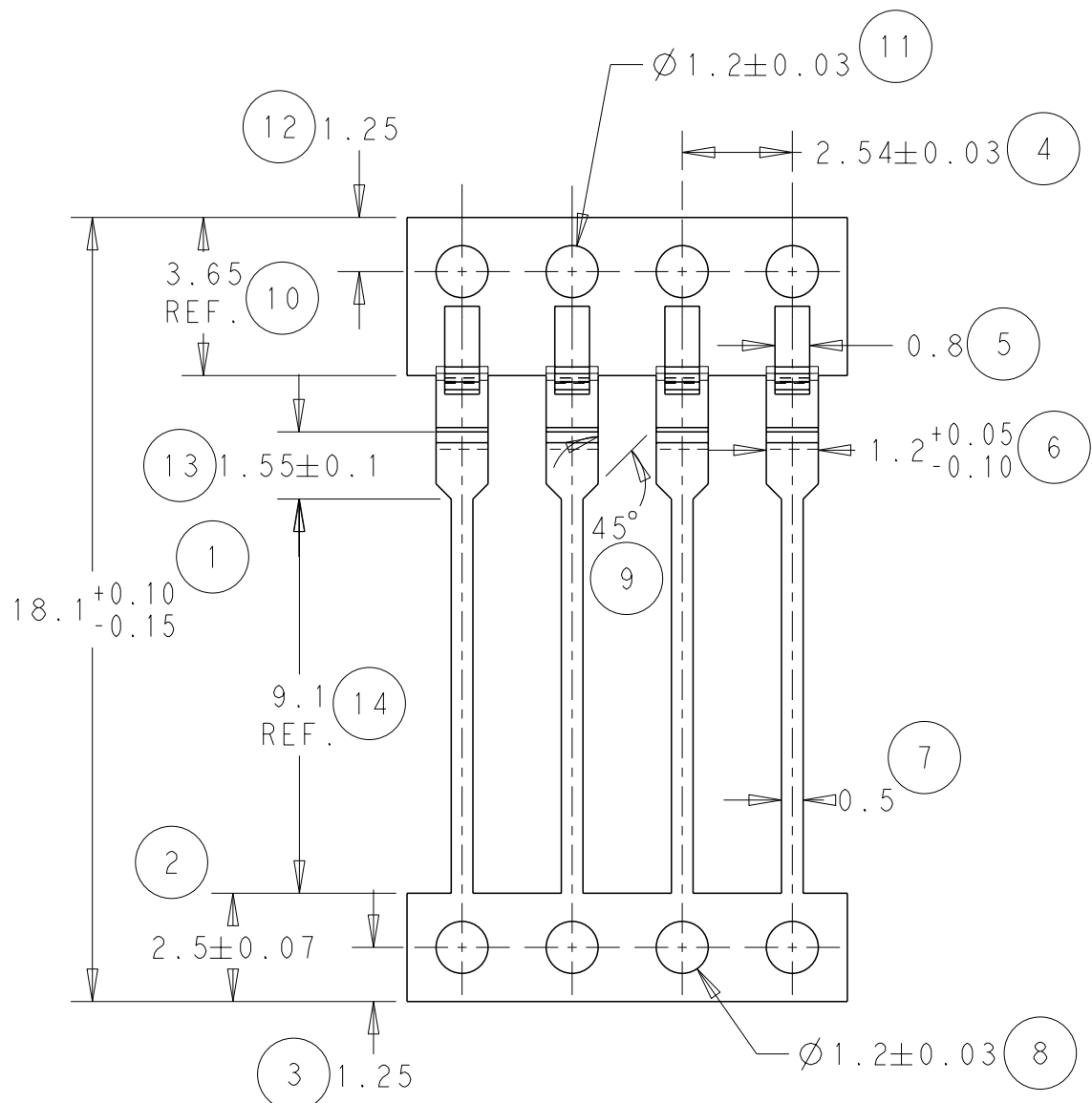


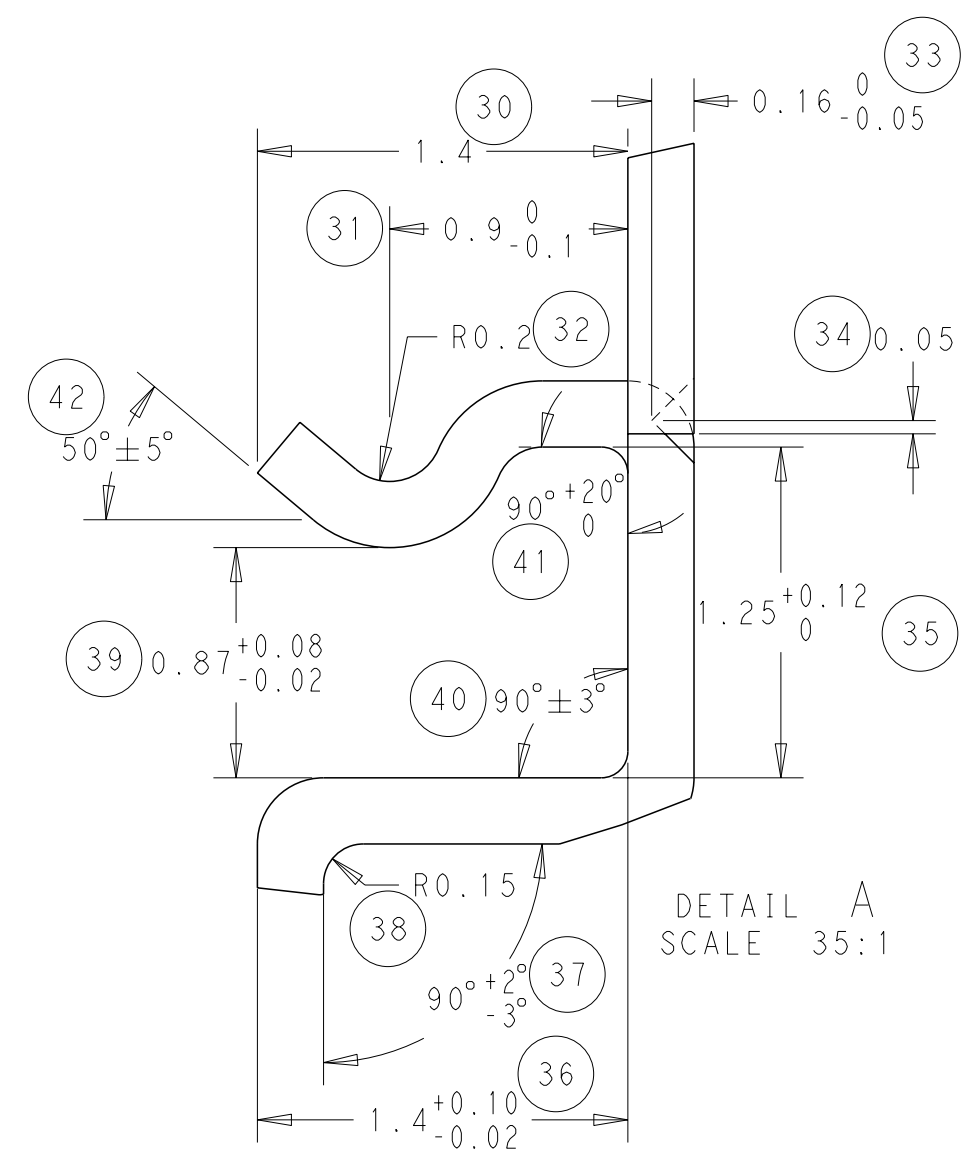
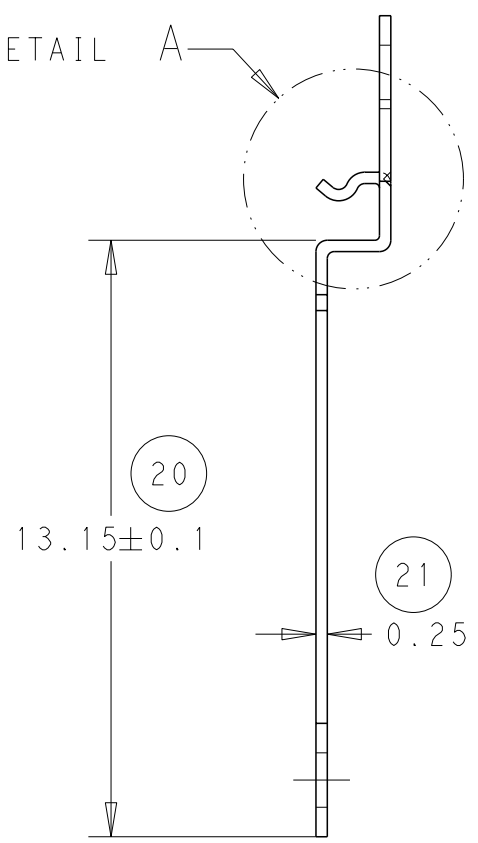
THIS DRAWING IS UNPUBLISHED. RELEASED FOR PUBLICATION 2011

© COPYRIGHT 2011 TE CONNECTIVITY ALL RIGHTS RESERVED.

LOC	DIST	REVISIONS					
B	-	P	LTR	DESCRIPTION	DATE	DWN	APVD
			D	ECR-11-018847	13/09/11	JB	MG
			E	ECR-13-008169	29/05/13	MJG	DP

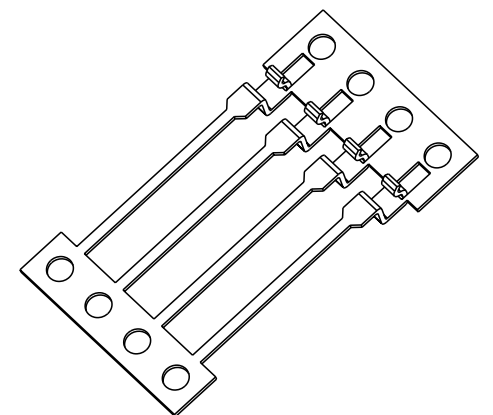


SEE DETAIL A

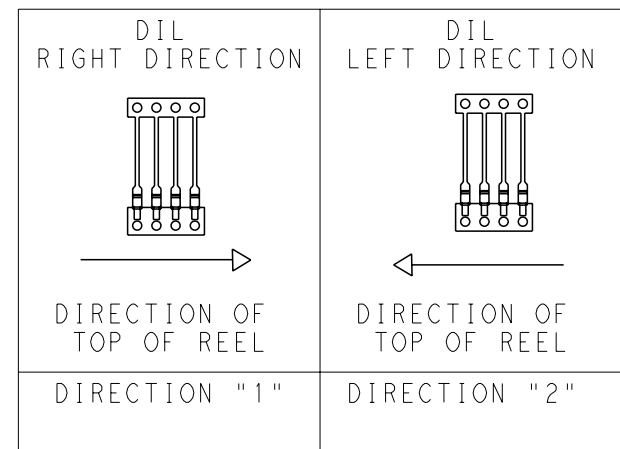


DETAIL A SCALE 35:1

NOTE
 BOWING: AFTER UPPER TIE BAR REMOVAL - 1.5mm MAX. FOR 500mm
 PITCH: AFTER UPPER TIE BAR REMOVAL - 2.54 ± 0.127



SCALE 3:1



THIS DRAWING IS A CONTROLLED DOCUMENT.

DIMENSIONS:	TOLERANCES UNLESS OTHERWISE SPECIFIED:
mm	
	0 PLC ±-
	1 PLC ±-
	2 PLC ±0.05
	3 PLC ±-
	4 PLC ±-
	ANGLES ±0.5
	FINISH -

MATERIAL SEE ABOVE.

DWN	J. BRIGHT	12/09/11
CHK	M. GREENER	12/09/11
APVD	D. PENNINGTON	12/09/11
PRODUCT SPEC	-	-
APPLICATION SPEC	-	-
WEIGHT	-	-
CUSTOMER DRAWING		

REELING		FINISH		PART NUMBER
2	Ni & Sn			1544443-4
2	Sn			1544443-3
1	Ni & Sn			1544443-2
1	Sn			1544443-1
TE CONNECTIVITY		DIL CONTACT		
SIZE	CAGE CODE	DRAWING NO	RESTRICTED TO	
A300779	C=1544443	-	-	
SCALE NTS		SHEET 1 OF 1	REV E	