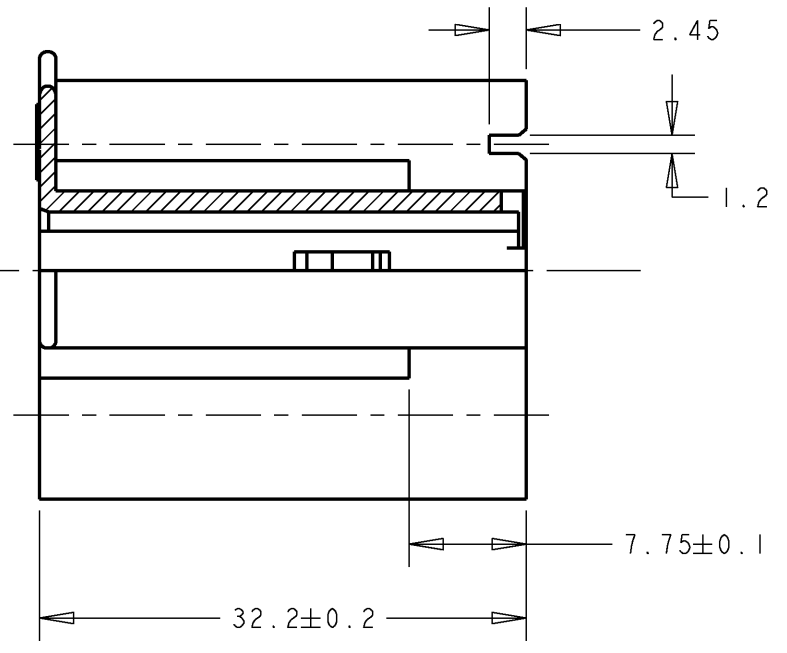


REVISIONS					
P	LTR	DESCRIPTION MODIFICATIONS	DATE	DWN DESS	APVD APP.
B		DESIGN MODIFICATION (MOLD DUPLICATION)	09FEB2006	LCi	JDr
C		MOLD IMPROVEMENT	20MAR2008	LCi	JDr

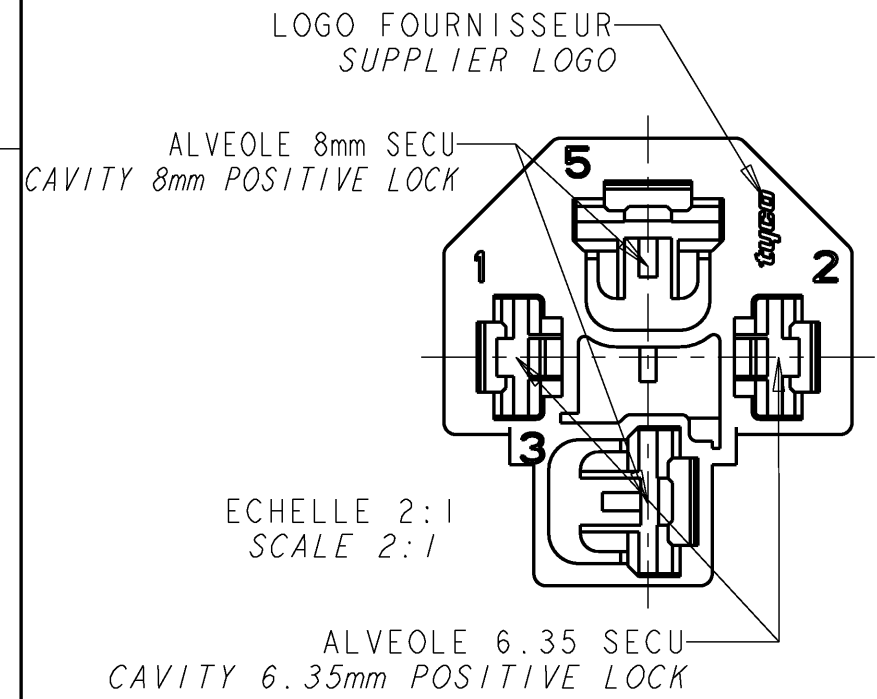
N° EMPREINTE  
 (A & D) EN RELIEF DE 0.2mm  
 MOLD PRINT  
 A TO D, IN RELIEF OF 0.2mm

DEMI COUPE B-B  
 HALF SECTION B-B

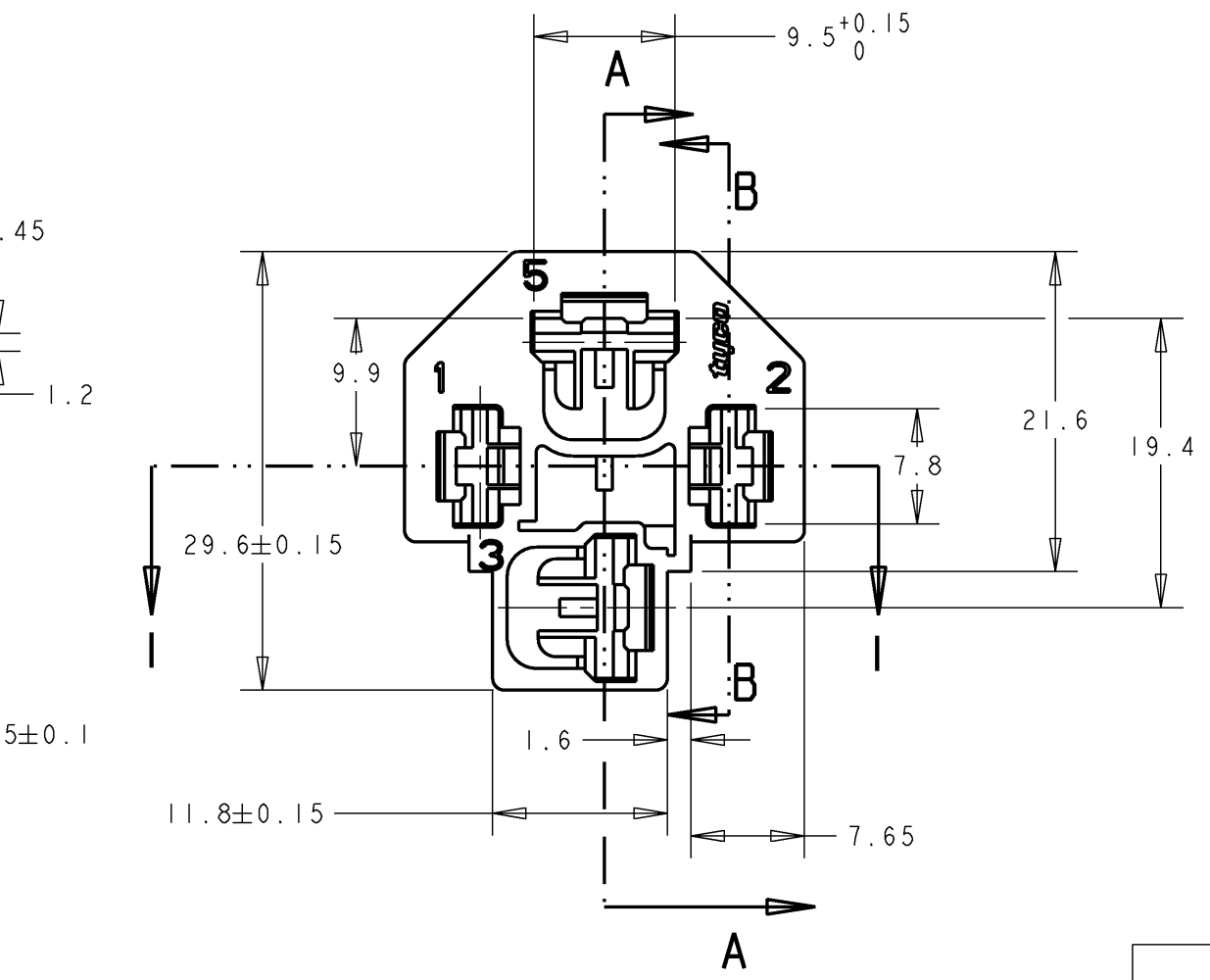
ECHELLE 2:1  
 SCALE 2:1



REPERAGE DES ALVEOLES  
 (EN RELIEF DE 0.2mm)  
 CAVITIES LOCATION  
 (IN RELIEF 0.2mm)

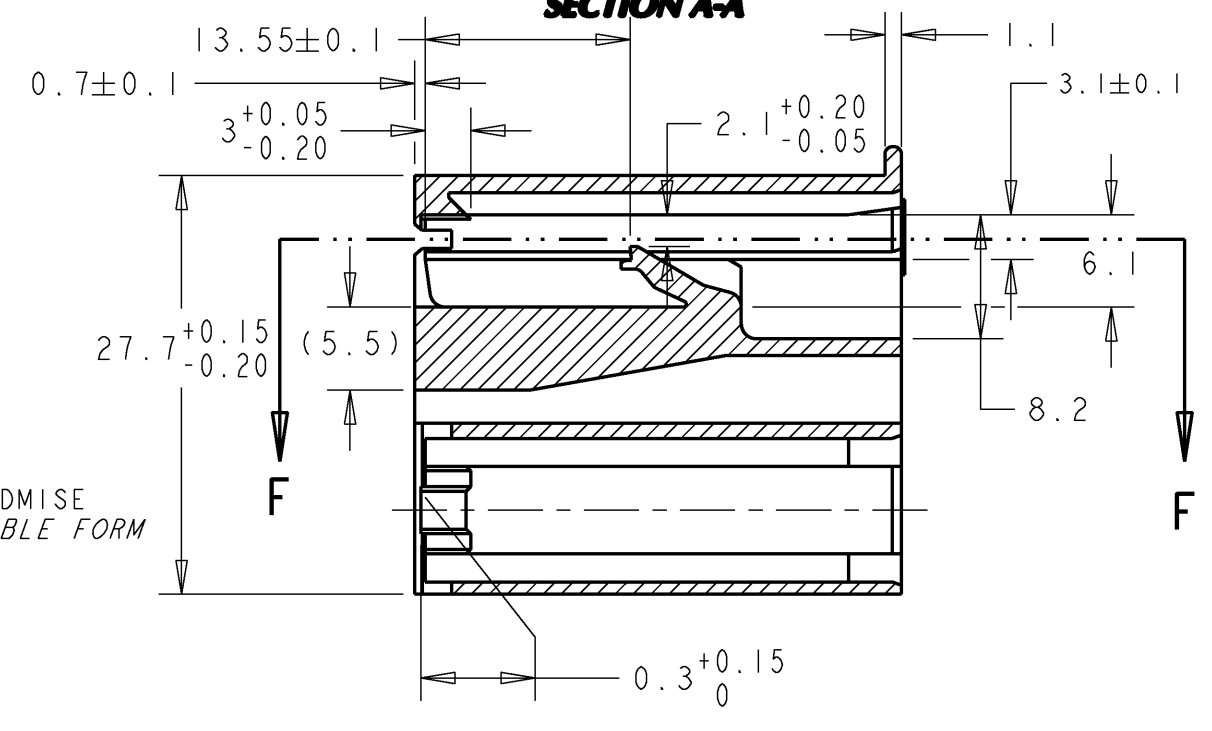


COUPE H  
 SECTION H

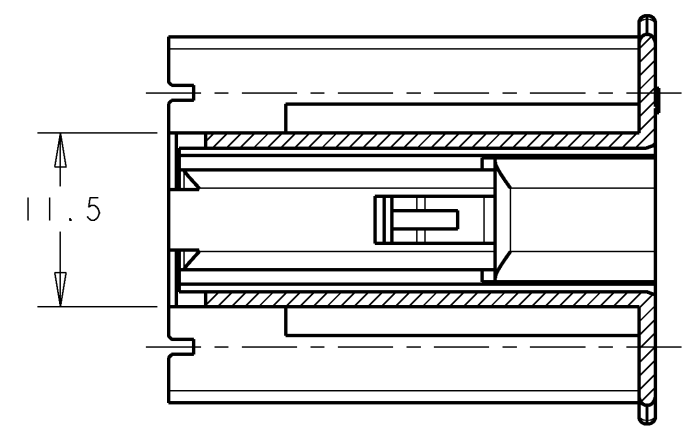


TE PN	POIDS WEIGHT	COULEUR COLOR
1544482-1	0.008 Kg	NOIR BLACK
1544496-1	0.008 Kg	VERT GREEN
-	0.008 Kg	ROUGE RED

COUPE A-A  
 SECTION A-A

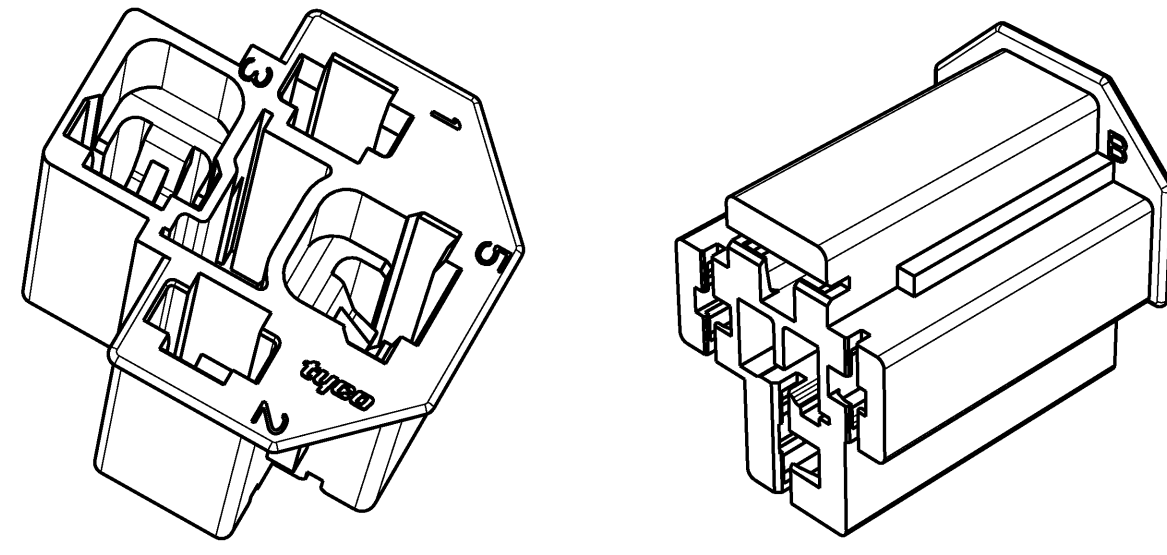


COUPE F-F  
 SECTION F-F



CONFORME AU CDC N°9604596299

CONTACTS RECEPTACLES	6.3 mm	8 mm
SECTION MAXI FIL WIRE RANGE MAX	4.4 mm <sup>2</sup>	10 mm <sup>2</sup>
FORCE D'INSERTION DES CONTACTS RECEPTACLE INSERTION EFFORT	< 20 N	< 20 N
TENUE DES CONTACTS RECEPTACLES RETENTION LOAD	> 80 N	> 80 N
INTENSITE PERMANENTE MAXI ADMISSIBLE MAX PERMANENT INTENSITY	25 A	50 A



CLIPS ASSOCIES  
 RECEPTACLES ASSOCIATED

REF TE TE PN	DESIGNATION DESCRIPTION	SECTION FIL WIRE SECTION	MATIERE / FINITION MATERIAL / PLATING
1544132-2	CLIP 6.3mm SECU 6.3mm POSITIVE LOCK RECEPTACLE	0,35 A / TO 1 mm <sup>2</sup> SQMM	CUIVRE MICRO ALLIE PRE-ETAME PRE-TINNED MICRO ALLOY COPPER
1544275-2	CLIP 6.3mm SECU 6.3mm POSITIVE LOCK RECEPTACLE	1 A / TO 3 mm <sup>2</sup> SQMM	CUIVRE MICRO ALLIE PRE-ETAME PRE-TINNED MICRO ALLOY COPPER
1544454-1	CLIP 6.3mm SECU 6.3mm POSITIVE LOCK RECEPTACLE	3 A / TO 5 mm <sup>2</sup> SQMM	CUIVRE MICRO ALLIE PRE-ETAME PRE-TINNED MICRO ALLOY COPPER
1544129-1	CLIP 8mm SECU 8 mm POSITIVE LOCK RECEPTACLE	3 A / TO 6 mm <sup>2</sup> SQMM	CUIVRE MICRO ALLIE PRE-ETAME PRE-TINNED MICRO ALLOY COPPER
1544128-1	CLIP 8mm SECU 8 mm POSITIVE LOCK RECEPTACLE	6 A / TO 10 mm <sup>2</sup> SQMM	CUIVRE MICRO ALLIE PRE-ETAME PRE-TINNED MICRO ALLOY COPPER

THIS DRAWING IS A CONTROLLED DOCUMENT FOR TYCO ELECTRONICS CORPORATION IT IS SUBJECT TO CHANGE AND THE CONTROLLING ENGINEERING ORGANIZATION SHOULD BE CONTACTED FOR THE LATEST REVISION.  
 CE PLAN EST UN DOCUMENT CONTROLE PAR AMP INCORPORATED. IL EST SUSCEPTIBLE D'ETRE REVISE. CONTACTER LE SERVICE TECHNIQUE D'AMP DE FRANCE POUR OBTENIR LA DERNIERE REVISION.

DIMENSIONS: mm

TOLERANCES UNLESS OTHERWISE SPECIFIED: (SI UN NB DE DECIMALES)  
 1 / DEC: ±0.15  
 2 / DEC: ±0.1  
 3 / DEC: ±0.05  
 ANGLE: ±2°

MATERIAL MATIERE: PA 6.6

DWN / DESSINE: L. CORONELLI 09FEB2006  
 CHK / VERIFIE: P. FLORES 09FEB2006  
 APVD / APPROUVE: J. DAHER 09FEB2006

NAME TITRE: BOITIER POUR RELAIS 50A NON ETANCHE 50A RELAY BOX NO SEALED

SIZE FORMAT: A2  
 CAGE CODE: 00779  
 DRAWING NO: No PLAN  
 FINITION: C-1544496

WEIGHT MASSE APPROX.: 0.008 Kg

CUSTOMER DRAWING / PLAN CLIENT

UNIQUEMENT POUR REFERENCE / SCHEMATA UNICAMENTE PER RIFERIMENTO / SCHEMATA UNICAMENTE PER RIFERIMENTO

SCALE ECHELLE: 5:1

SHEET FEUILLE: OF DE: REV C

Tyco Electronics Tyco Electronics France SAS RN 90, 38530 Chapareillan