

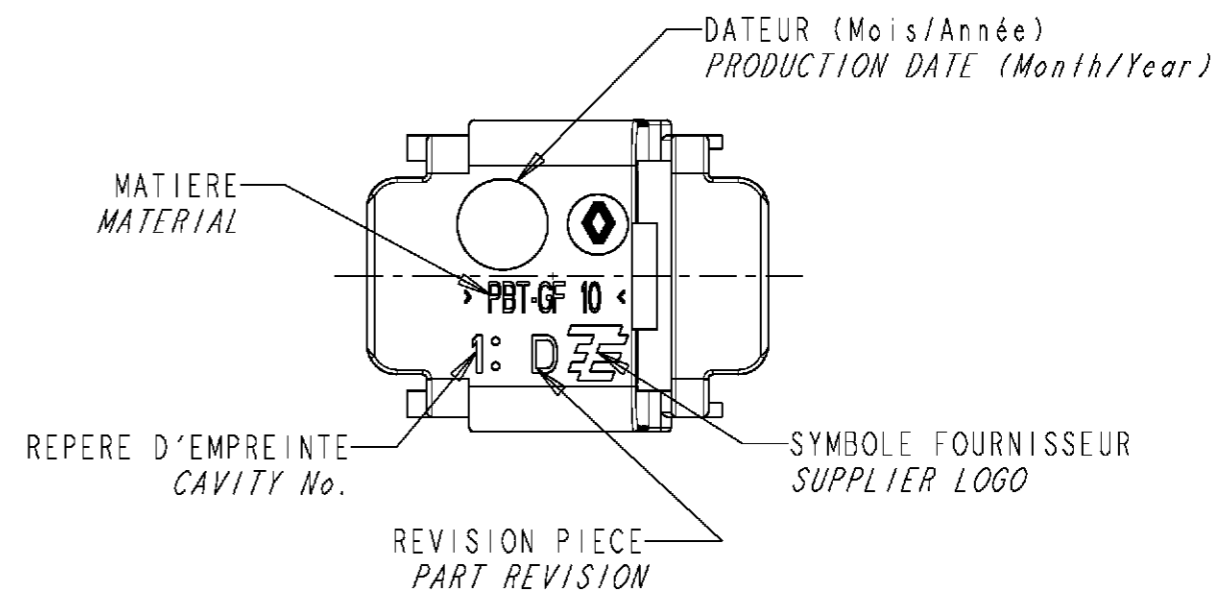
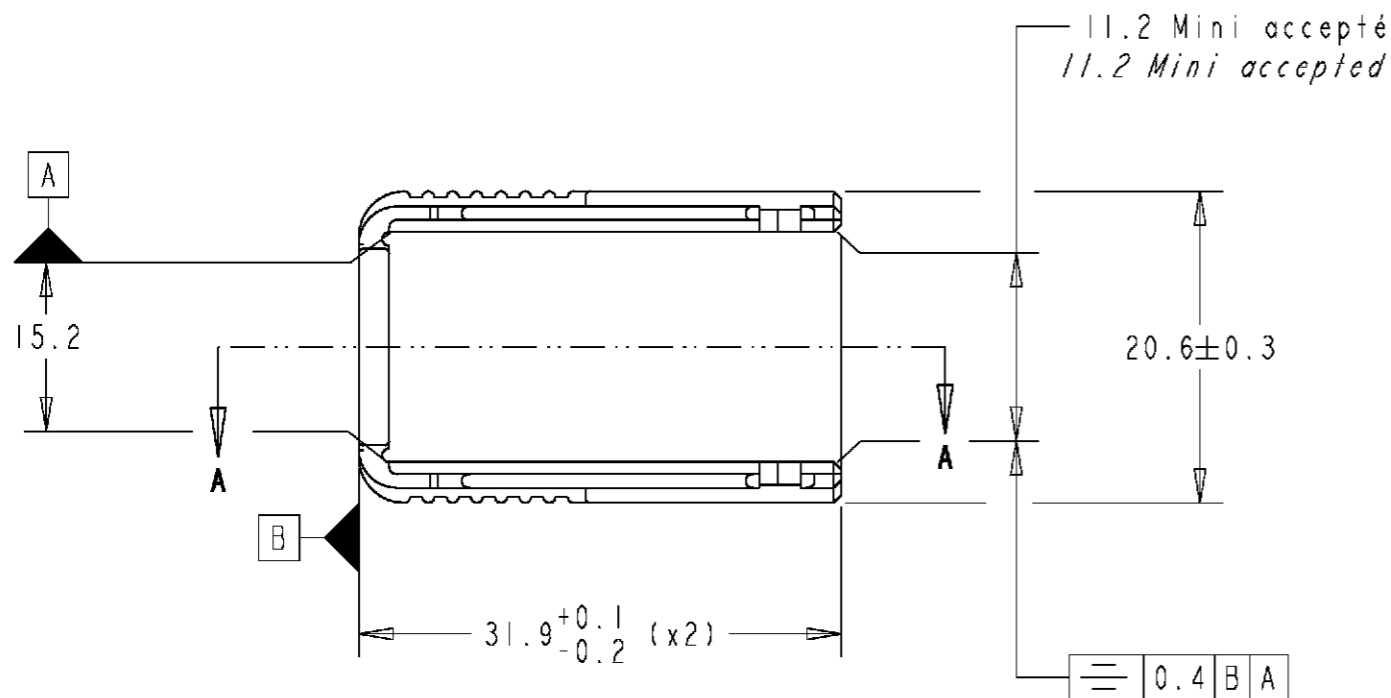
THIS DRAWING IS UNPUBLISHED.

RELEASED FOR PUBLICATION

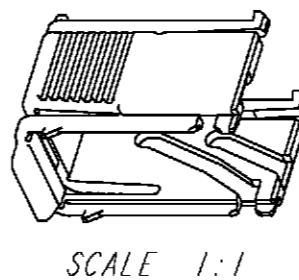
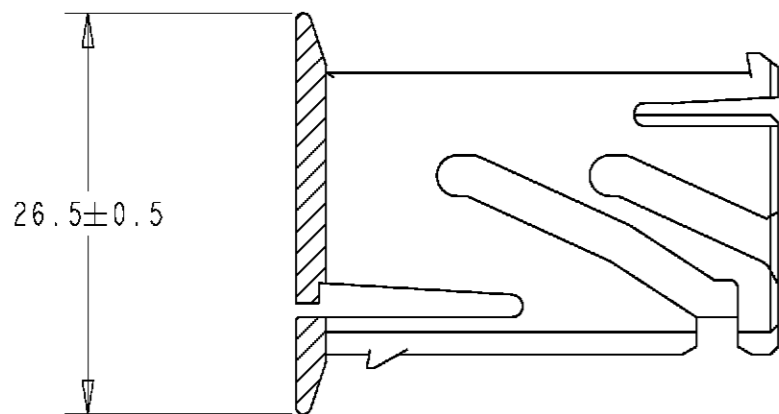
2010

© COPYRIGHT 2010 BY TYCO ELECTRONICS CORPORATION. ALL INTERNATIONAL RIGHTS RESERVED.

LOC	DIST	REVISIONS			
P	LTR	DESCRIPTION	DATE	DWN	APVD
F	00	A	FIRST ISSUE	18AUG2010	PFs JDr



SECTION A-A



REFERENCE / PART NUMBER	
COULEUR / COLOUR	ROUGE / RED
REF. CLIENT CUSTOMER PN	
REF. TE / TE PN	1544620-1
CONDITIONNEMENT VOIR: PACKAGING SEE:	107-15664
REFERENCE INTERFACE ASSOCIEE ASSOCIATE INTERFACE NUMBER	
REF. TE / TE PN	208-15639-1

THIS DRAWING IS A CONTROLLED DOCUMENT FOR TYCO ELECTRONICS CORPORATION IT IS SUBJECT TO CHANGE AND THE CONTROLLING ENGINEERING ORGANIZATION SHOULD BE CONTACTED FOR THE LATEST REVISION.		DWN P. FLORES 18AUG10	Tyco Electronics Tyco Electronics France SAS 517, Av. de la Boisse 73000 Chambéry	
DIMENSIONS: mm		CHK F. SAPET 18AUG10	NAME 4 WAY 6.35NGI TAB HOUSING SLIDER	
TOLERANCES UNLESS OTHERWISE SPECIFIED: 0 PLC ± 1 PLC ±0.1 2 PLC ±0.01 3 PLC ±0.001 4 PLC ±0.0001 ANGLES ±2°		APVD J. DAHER 18AUG10	PRODUCT SPEC	
MATERIAL PBT GF 10 FINISH V0		APPLICATION SPEC 411-15690	SIZE A3	CAGE CODE 00779
		WEIGHT 0.004 kg	DRAWING NO 1544620	RESTRICTED TO -
CUSTOMER DRAWING		SCALE 2:1	SHEET 1	OF 1
			REV A	