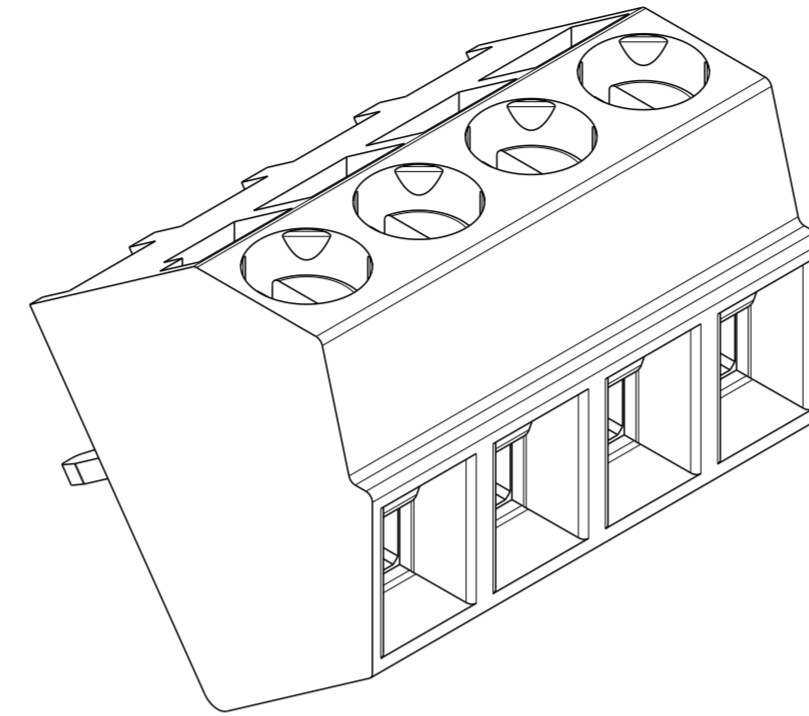
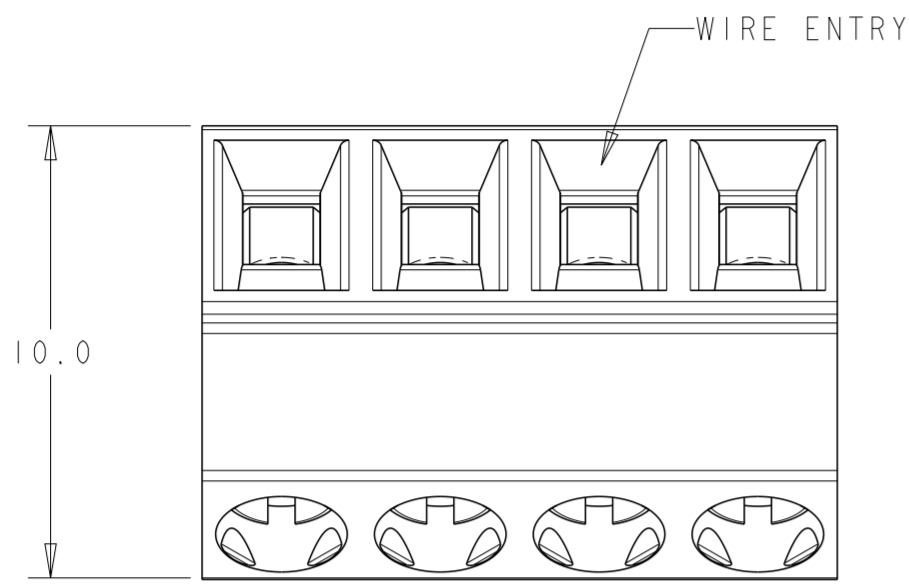


THIS DRAWING IS UNPUBLISHED. RELEASED FOR PUBLICATION 20  
 © COPYRIGHT 20 BY - ALL RIGHTS RESERVED.

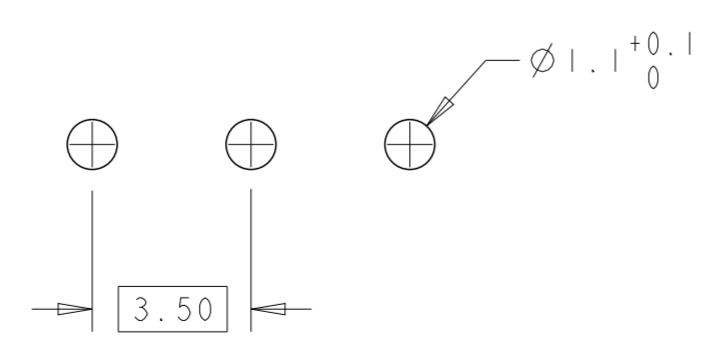
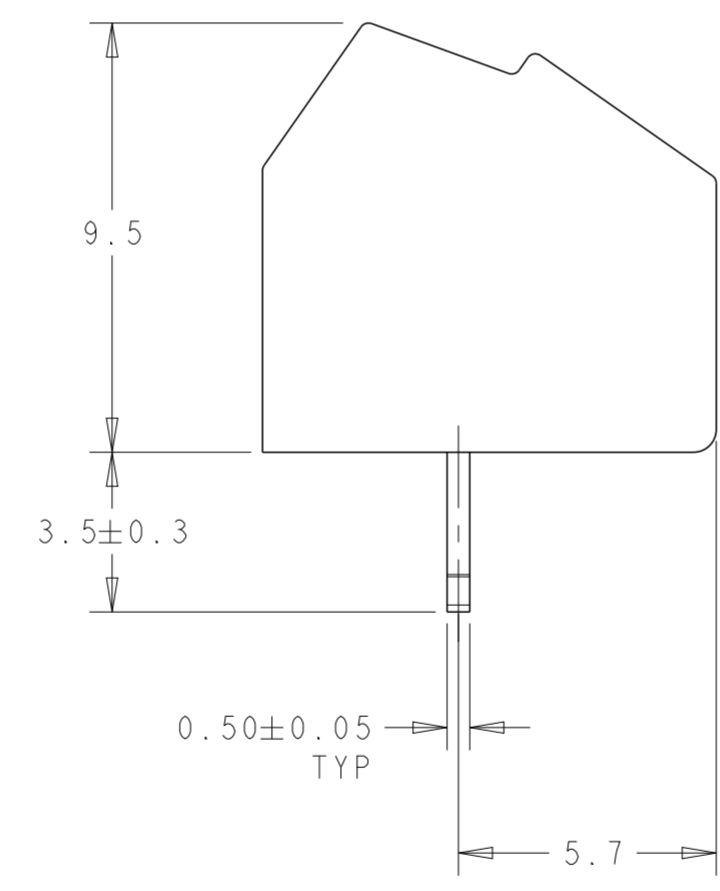
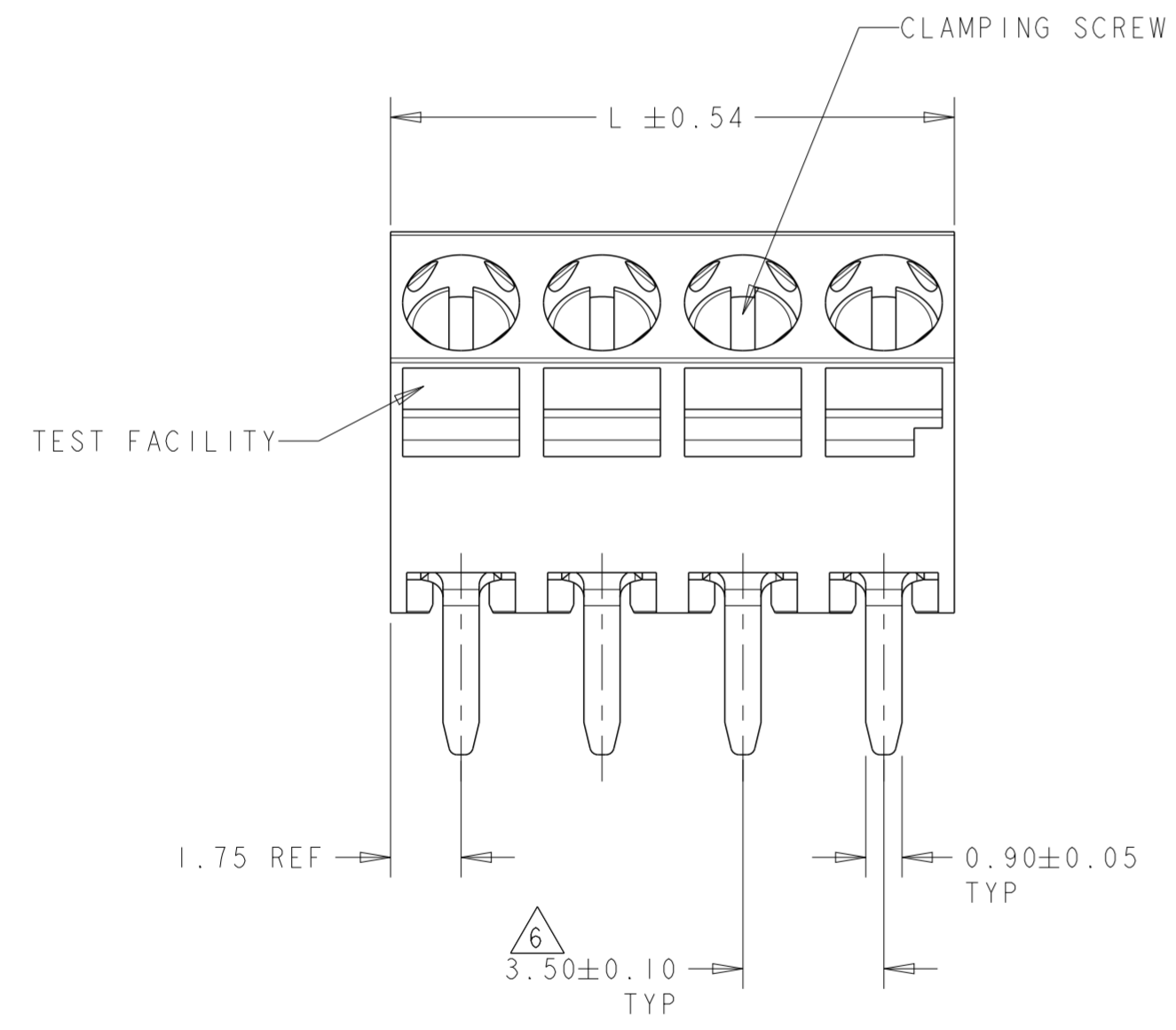
REVISIONS					
P	LTR	DESCRIPTION	DATE	DWN	APVD
B		PACKAGING CHANGED FROM BLACK POLYURETHANE SPONGE TO TRAY	26FEB2018	RK	PS



NOTES:

- MATERIALS AND FINISH:  
 HOUSING: PA 6-6, UL 94 VO-RATED, COLOR: GREEN.  
 TERMINAL: COPPER ALLOY, TIN PLATED.  
 CLAMP: COPPER ALLOY, NICKEL PLATED.  
 CLAMPING SCREW: M2 COPPER ALLOY, NICKEL PLATED.
  - MECHANICAL  
 WIRE STRIPPING LENGTH : 5.0-6.0 mm  
 MIN. PC BOARD HOLES DIAMETER : 1.1 mm  
 MAX. PC BOARD THICKNESS : 2.4 mm  
 RECOMMENDED TIGHTENING TORQUE FOR SCREW: 0.2 Nm.
  - ELECTRICAL  
 WIRE RANGE : 16-28 AWG.  
 MAX. VOLTAGE : 300 V  
 MAX CURRENT : 12 A  
 CONTACT RESISTANCE : <15 m Ohm  
 INSULATION RESISTANCE : > 1000 M Ohm (500V DC)
  - OPERATING TEMPERATURE RANGE: -40°C TO +110°C.
  - PACKED IN TRAY.
- △ TOLERANCE NOT CUMULATIVE.

1546556-4 AS SHOWN



RECOMMENDED PC BOARD LAYOUT

OBSOLETE	63.00	18	<del>1-1546556-8</del>
	59.50	17	<del>1-1546556-7</del>
	56.00	16	<del>1-1546556-6</del>
	52.50	15	<del>1-1546556-5</del>
	49.00	14	<del>1-1546556-4</del>
	45.50	13	<del>1-1546556-3</del>
	42.00	12	<del>1-1546556-2</del>
	38.50	11	<del>1-1546556-1</del>
	35.00	10	<del>1-1546556-0</del>
	31.50	9	<del>1546556-9</del>
OBSOLETE	28.00	8	<del>1546556-8</del>
	24.50	7	<del>1546556-7</del>
	21.00	6	<del>1546556-6</del>
	17.50	5	<del>1546556-5</del>
	14.00	4	<del>1546556-4</del>
	10.50	3	<del>1546556-3</del>
OBSOLETE	7.00	2	<del>1546556-2</del>
	L	NO OF POSN	PART NUMBER

THIS DRAWING IS A CONTROLLED DOCUMENT.		DWN S. WELDON 21APR2003	TE Connectivity	
DIMENSIONS: mm		CHK C. RICHARD 21APR2003		
TOLERANCES UNLESS OTHERWISE SPECIFIED:		APVD C. RICHARD 21APR2003	NAME TERMINAL BLOCK, ANGLED ENTRY, 55 DEGREE, STACKABLE, 3.5mm PITCH	
0 PLC ±		PRODUCT SPEC	SIZE A2	
1 PLC ±0.2		APPLICATION SPEC	CAGE CODE 00779	
2 PLC ±0.25		WEIGHT	DRAWING NO C-1546556	
3 PLC ±0.000		CUSTOMER DRAWING	RESTRICTED TO	
4 PLC ±0.000		SCALE 6:1	SHEET 1 OF 1	
ANGLES ±		REV B		
FINISH				
MATERIAL SEE NOTES				
SEE NOTES				