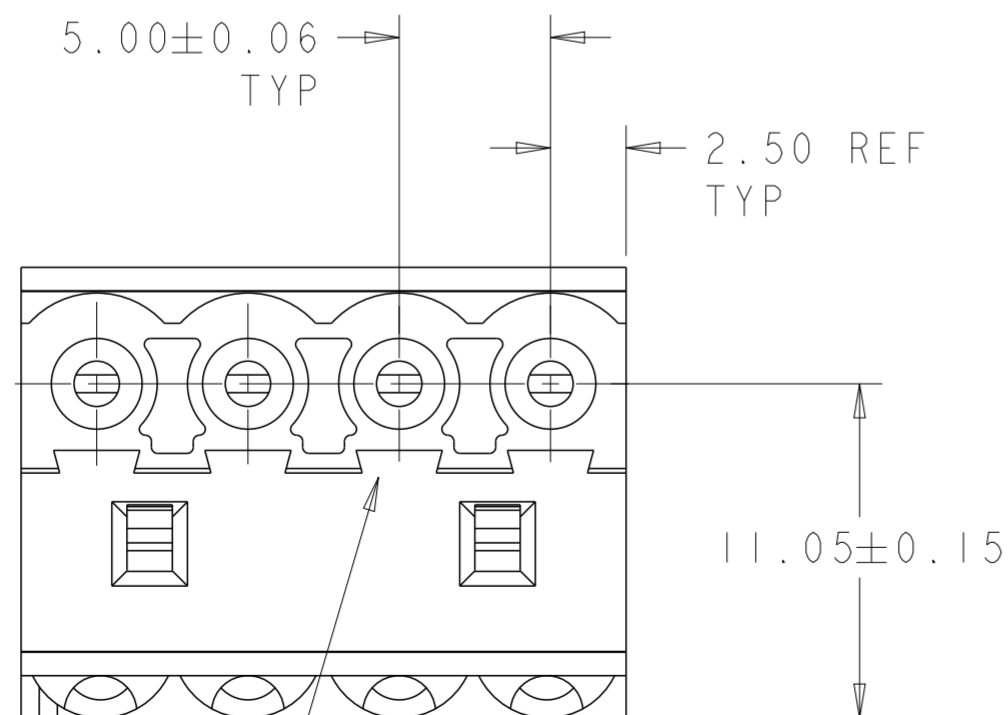
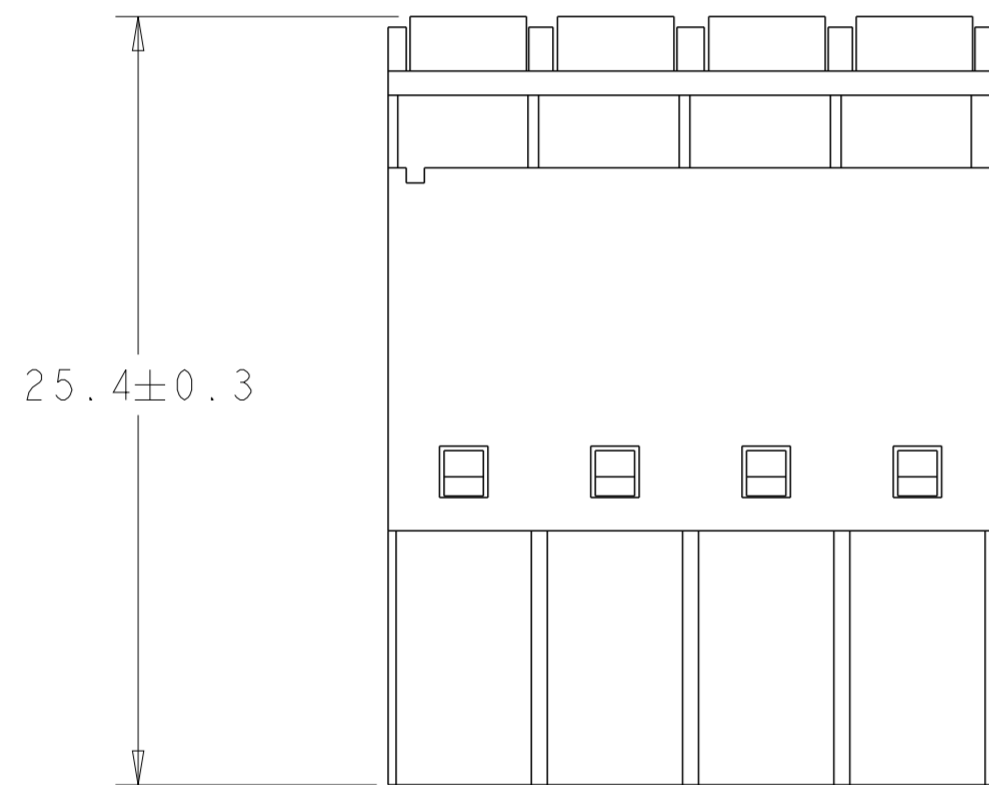


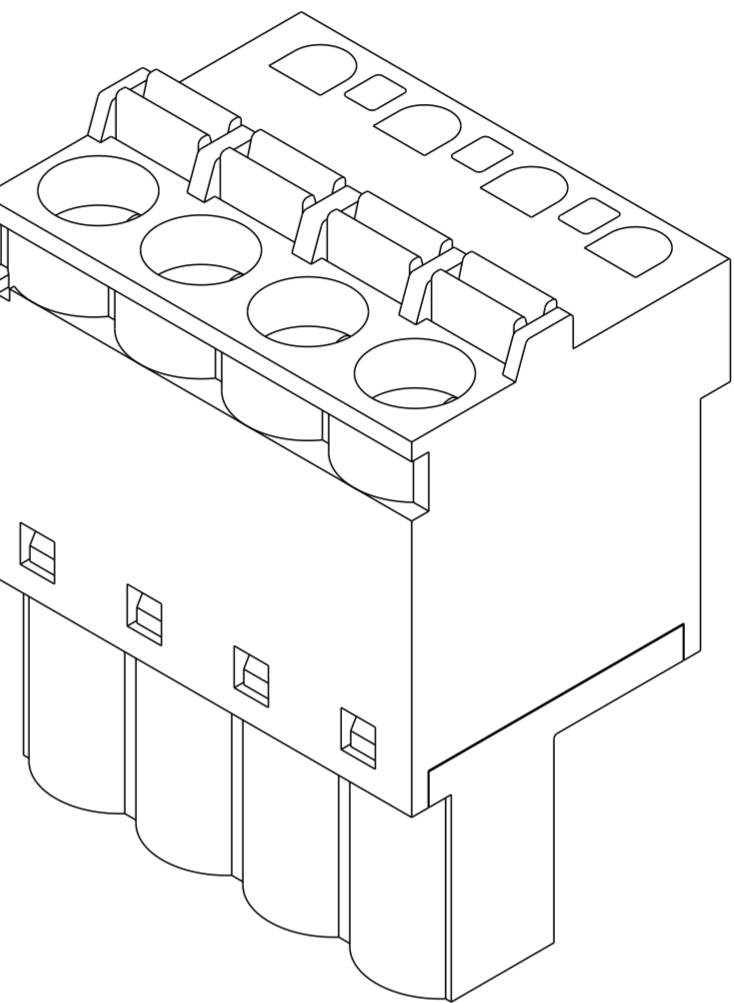
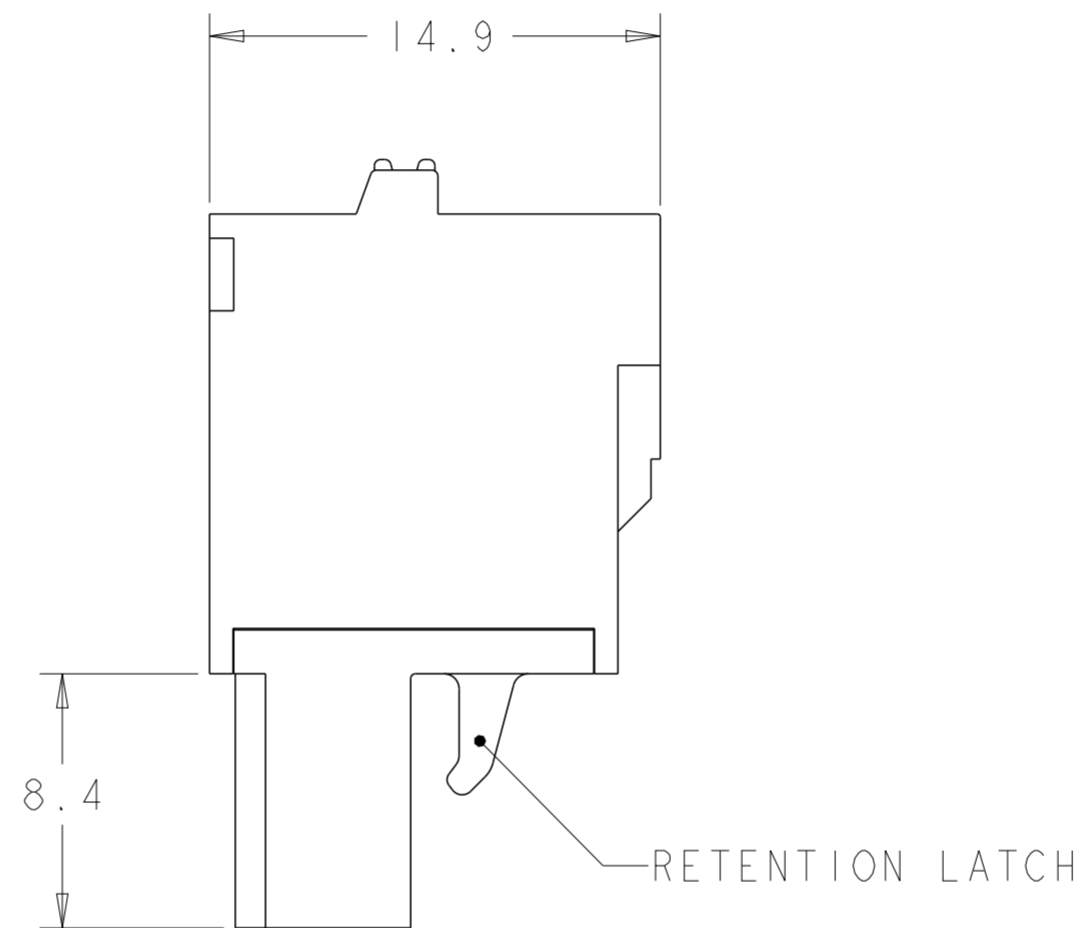
WIRE ENTRY



POLARIZATION KEY SLOT

⚠ MATERIALS AND FINISH:
 HOUSING: PA 6-6, UL 94 VO-RATED, COLOR: GREEN.
 PUSH BUTTON : PA66, COLOR - ORANGE.
 CONTACT: PHOSPHOR BRONZE, TIN PLATED.
 CLAMPING SPRING: STEEL

2. WIRE SIZE RANGE: 12-24 AWG.
3. CURRENT RATING: 12A
 OPERATING TEMPERATURE: -40°C TO +110°C



REVISIONS					
P	LTR	DESCRIPTION	DATE	DWN	APVD
	O	RELEASED	07MAR2003	SW	CR
	A	REVISED EC 0G3B-0137-04	22MAR2004	SW	CR
	B	SHADE CHANGE IN ORANGE PUSH BUTTON COLOR	16MAY2023	SP	PS

90.00	18	I-1546557-8
85.00	17	I-1546557-7
80.00	16	I-1546557-6
75.00	15	I-1546557-5
70.00	14	I-1546557-4
65.00	13	I-1546557-3
60.00	12	I-1546557-2
55.00	11	I-1546557-1
50.00	10	I-1546557-0
45.00	9	I-1546557-9
40.00	8	I-1546557-8
35.00	7	I-1546557-7
30.00	6	I-1546557-6
25.00	5	I-1546557-5
20.00	4	I-1546557-4
15.00	3	I-1546557-3
10.00	2	I-1546557-2
L	POSN	PART NUMBER

THIS DRAWING IS A CONTROLLED DOCUMENT.		DWN S. WELDON 07MAR2003	TE Connectivity	
DIMENSIONS: mm		CHK C. RICHARD 07MAR2003		
TOLERANCES UNLESS OTHERWISE SPECIFIED:		APVD C. RICHARD 07MAR2003	NAME TERMINAL BLOCK, CLIP CONNECTOR, FEMALE, 5.0mm PITCH	
0 PLC ± 1 PLC ±0.2 2 PLC ±0.25 3 PLC ±0.001 4 PLC ±0.0001 ANGLES ± FINISH		PRODUCT SPEC -	RESTRICTED TO -	
MATERIAL		APPLICATION SPEC -	SIZE A200779	CAGE CODE C-1546557
		WEIGHT -	SCALE 4:1 SHEET 1 OF 1 REV B	
CUSTOMER DRAWING				