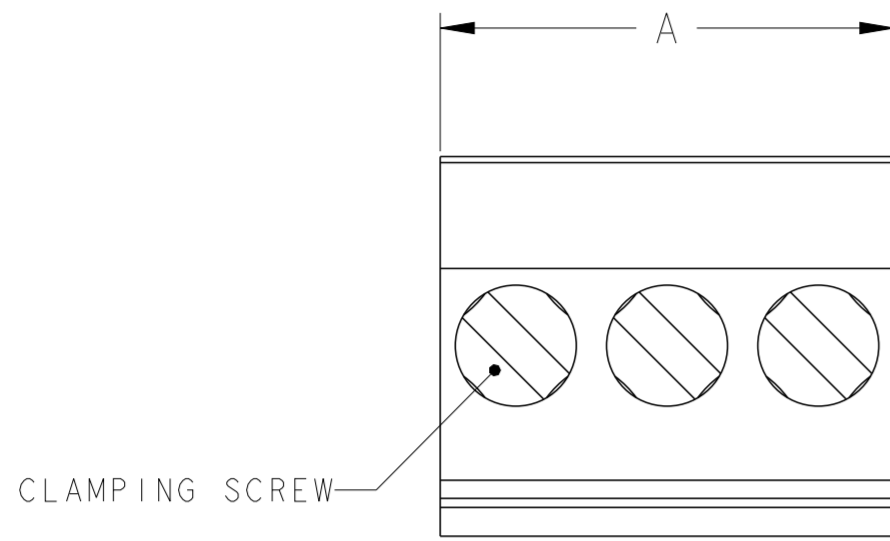
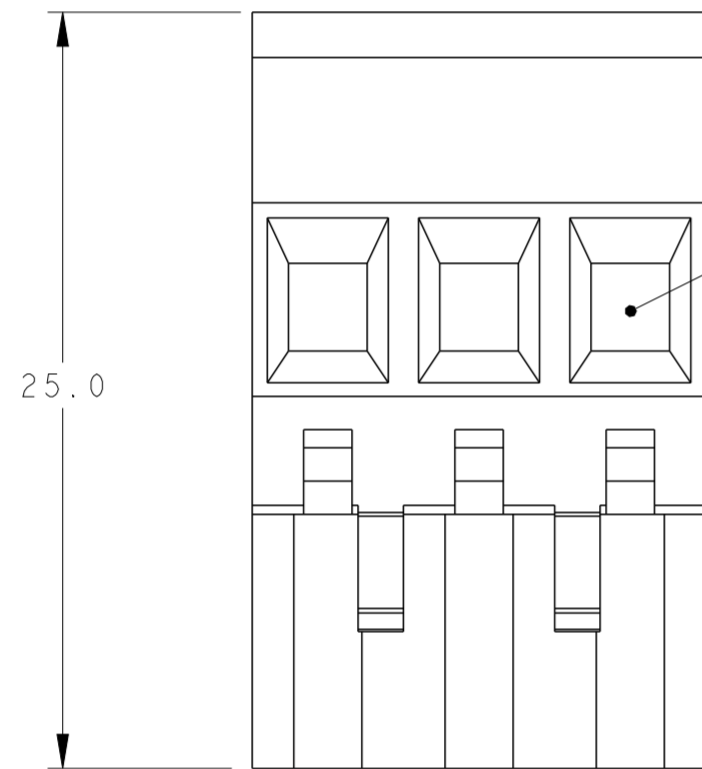


P	LTR	DESCRIPTION	DATE	DWN	APVD
	A	PARTS RELEASED TO PRODUCTION	12AUG2019	RK	PS



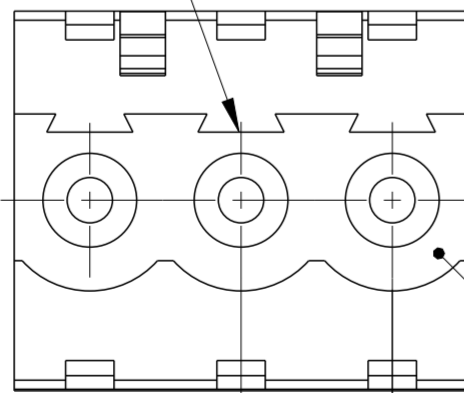
CLAMPING SCREW



WIRE ENTRY

25.0

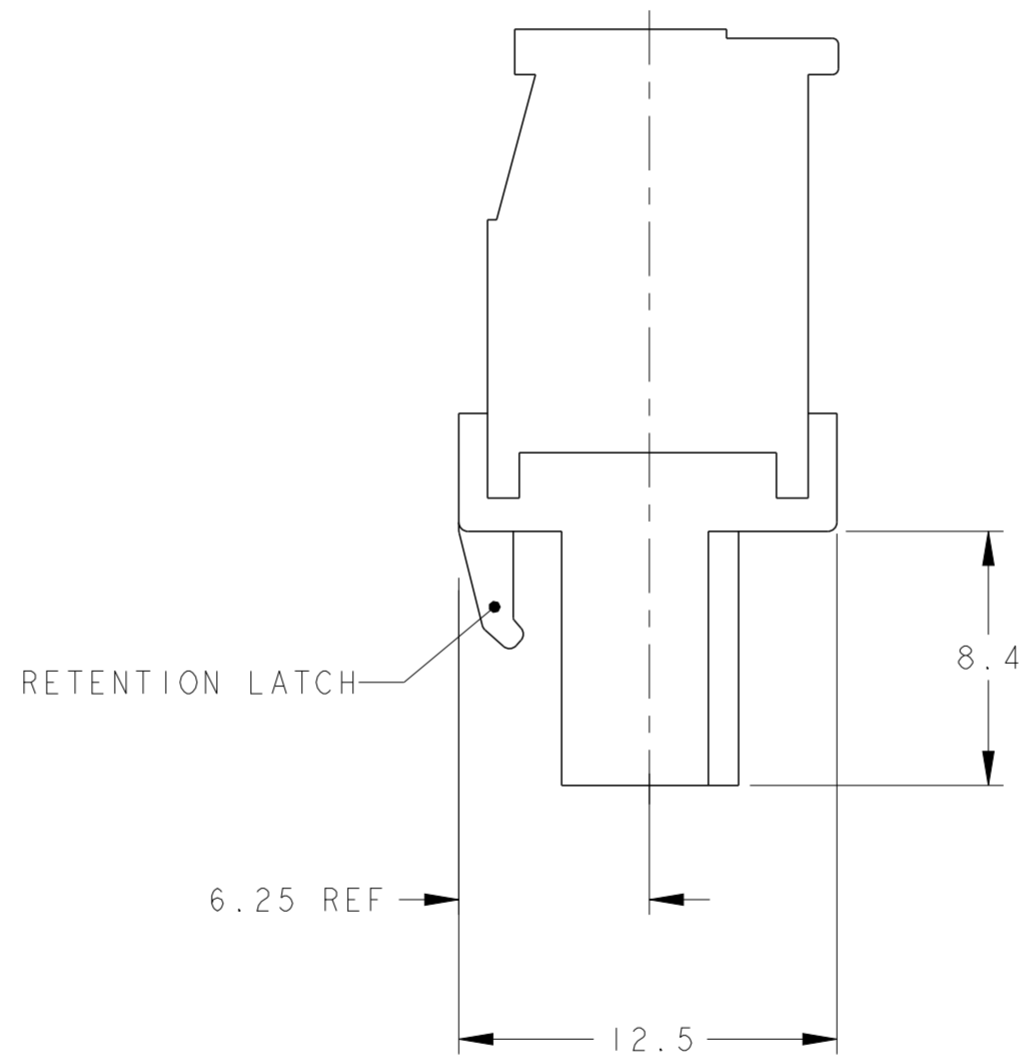
POLARIZATION KEY SLOT



MATING FACE

6
5.00±0.05
TYP

2.50 REF
TYP



RETENTION LATCH

8.4

6.25 REF

12.5

- MATERIALS AND FINISH
HOUSING: PA 6-6, UL 94-V0, COLOR: BLACK.
CLAMP: COPPER ALLOY, NICKEL PLATED.
CONTACT SPRING : COPPER ALLOY, TIN PLATED.
CLAMPING SCREW: M3, COPPER ALLOY, NICKEL PLATED.
 - MECHANICAL:
RECOMMENDED TIGHTENING TORQUE : 0.5Nm
WIRE STRIPPING LENGTH : 6.0-7.5mm
 - ELECTRICAL
WIRE RANGE : 12-30 AWG
MAX. VOLTAGE : 300 V
MAX CURRENT : 15 A
CONTACT RESISTANCE : < 15 m Ohm
INSULATION RESISTANCE : > 1000 M Ohm (500V DC)
 - OPERATING TEMPERATURE RANGE: -40°C TO +105°C.
 - RECOGNIZED UNDER THE COMPONENT PROGRAM OF UNDERWRITERS LABORATORIES INC., FILE NO E60677.
- 6 NOT CUMULATIVE TOLERANCE.

OBSOLETE	125.0	25	2-1546625-5
	120.0	24	2-1546625-4
	115.0	23	2-1546625-3
	110.0	22	2-1546625-2
	150.0	21	2-1546625-1
	100.0	20	2-1546625-0
	95.0	19	1-1546625-9
	90.0	18	1-1546625-8
	85.0	17	1-1546625-7
	80.0	16	1-1546625-6
	75.0	15	1-1546625-5
	70.0	14	1-1546625-4
	65.0	13	1-1546625-3
	60.0	12	1-1546625-2
	55.0	11	1-1546625-1
	50.0	10	1-1546625-0
	45.0	9	1546625-9
	40.0	8	1546625-8
	35.0	7	1546625-7
30.0	6	1546625-6	
25.0	5	1546625-5	
20.0	4	1546625-4	
15.0	3	1546625-3	
10.0	2	1546625-2	
A	NO OF POSN	PART NUMBER	

THIS DRAWING IS A CONTROLLED DOCUMENT.

DWN: S. WELDON 30APR2004
CHK: C. RICHARD 30APR2004
APVD: C. RICHARD 3-APR2004

TE Connectivity

NAME: TERMINAL BLOCK, VERTICAL PLUG, STACKING, RIGHT HAND, 5.00mm PITCH

SIZE: A2 CAGE CODE: 0779 DRAWING NO: C-1546625

MATERIAL: SEE NOTES TOLERANCES UNLESS OTHERWISE SPECIFIED: SEE NOTES

0 PLC ±-
1 PLC ±0.3
2 PLC ±0.25
3 PLC ±-
4 PLC ±-
ANGLES ±2°
FINISH: SEE NOTES

PRODUCT SPEC: -
APPLICATION SPEC: -
WEIGHT: -

CUSTOMER DRAWING SCALE: 4:1 SHEET: 1 OF 1 REV: A