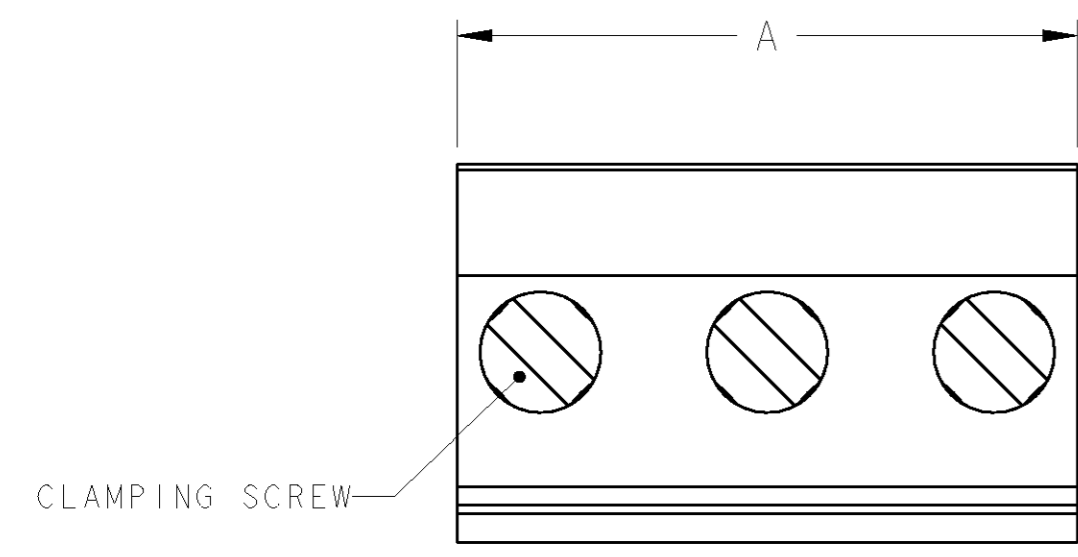
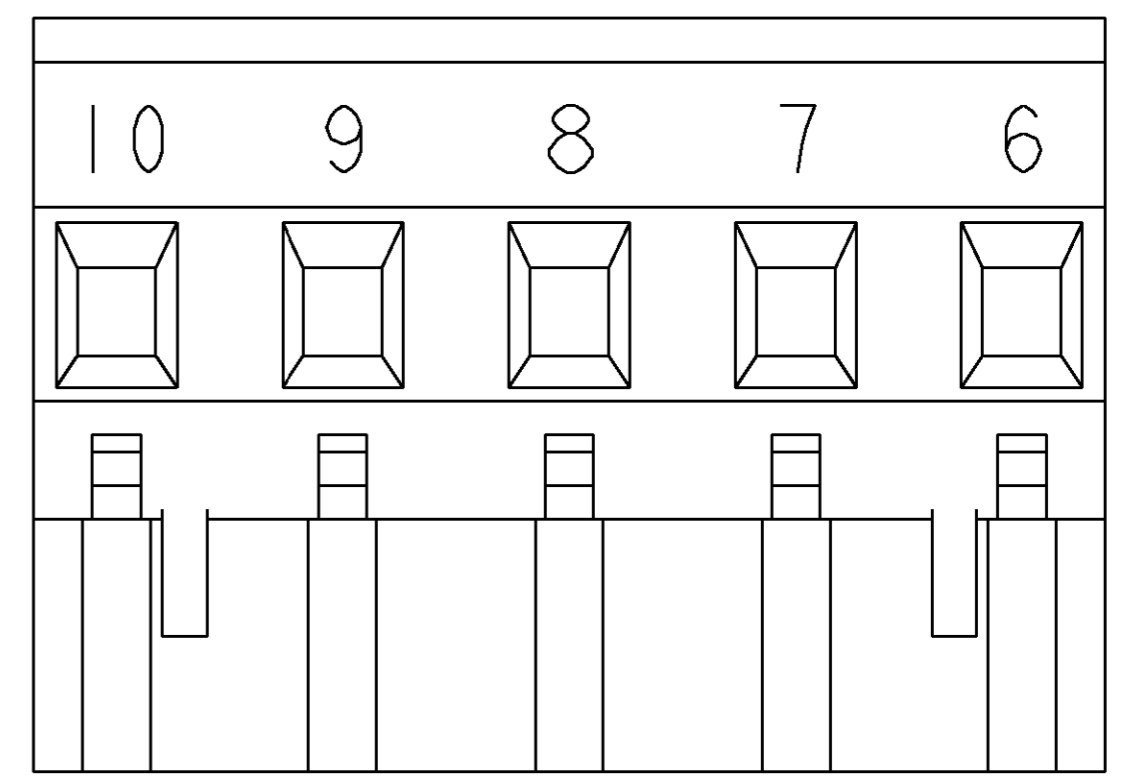


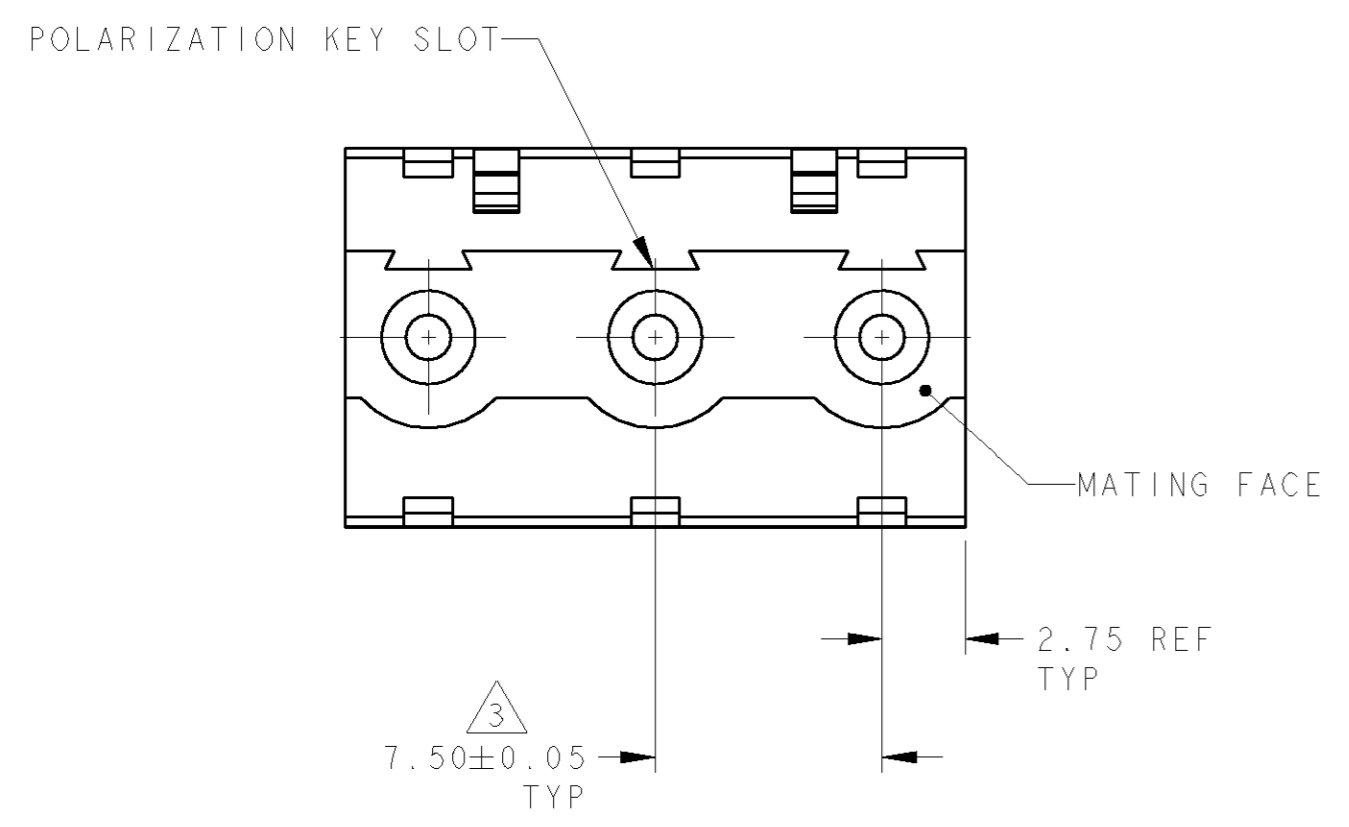
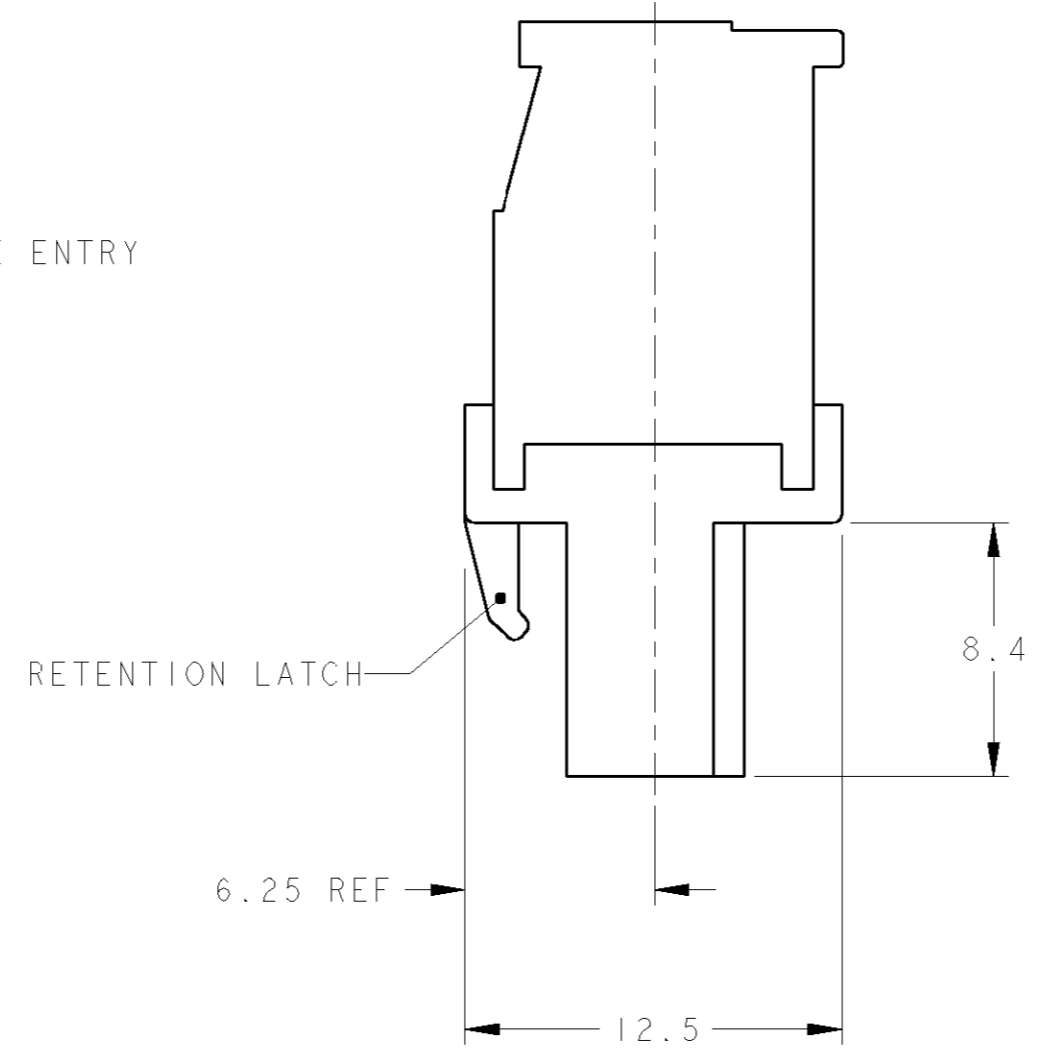
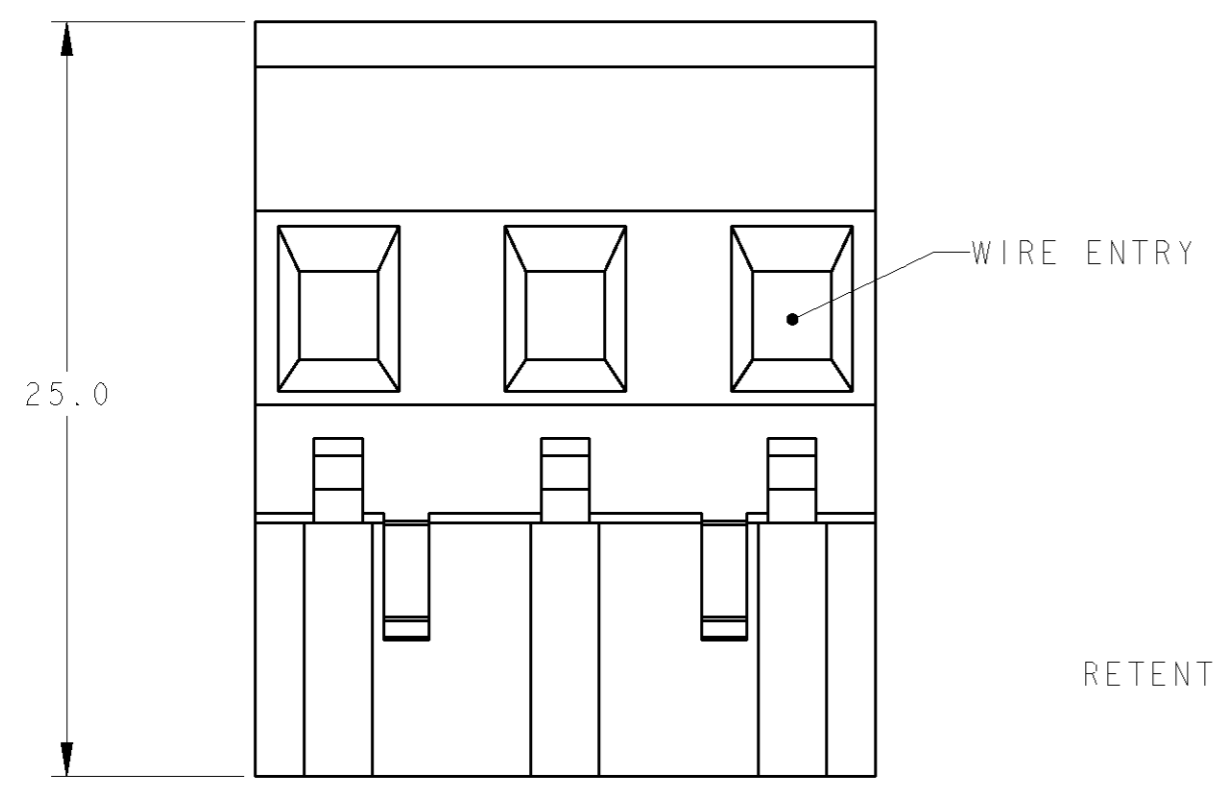
LOC	DIST	REVISIONS					
FT	0	P	LTR	DESCRIPTION	DATE	DWN	APVD
		0		RELEASED EC 063B-0885-03	12NOV2003	SW	CR



- 1 MATERIALS AND FINISH
 HOUSING: PA 6-6, UL 94-V0, COLOR: GRAY.
 CLAMP: BRASS, NICKEL PLATED.
 CONTACT SPRING: PHOSPHOR BRONZE, TIN PLATED.
 CLAMPING SCREW: M3, BRASS, NICKEL PLATED.
- 2. WIRE SIZE RANGE: 12-30 AWG
- 3 NOT CUMULATIVE TOLERANCE.
- 4 INK MARKING, COLOR: BLACK.



4
DETAIL J



SEE DETAIL J	35.5	5	1-1546855-3
-	88.0	12	1-1546855-2
-	80.5	11	1-1546855-1
-	73.0	10	1-1546855-0
-	65.5	9	1546855-9
-	58.0	8	1546855-8
-	50.5	7	1546855-7
-	43.0	6	1546855-6
-	35.5	5	1546855-5
-	28.0	4	1546855-4
-	20.5	3	1546855-3
-	13.0	2	1546855-2
MARKING	A	NO OF POSN	PART NUMBER

THIS DRAWING IS A CONTROLLED DOCUMENT FOR TYCO ELECTRONICS CORPORATION. IT IS SUBJECT TO CHANGE AND THE CONTROLLING ENGINEERING ORGANIZATION SHOULD BE CONTACTED FOR THE LATEST REVISION.		DWN S. WELDON 12NOV2003	Tyco Electronics Harrisburg, PA 17105-3608	
DIMENSIONS: mm		CHK C. RICHARD 12NOV2003	NAME BUCHANAN TERMINAL BLOCK, VERTICAL PLUG, STACKING, RIGHT HAND, 7.5mm PITCH	
TOLERANCES UNLESS OTHERWISE SPECIFIED: 0 PLC ±.3 1 PLC ±.3 2 PLC ±.25 3 PLC ±. 4 PLC ±. ANGLES ±2 FINISH		APVD C. RICHARD 12NOV2003		
MATERIAL		PRODUCT SPEC -	SIZE A2	CAGE CODE 00779
1		APPLICATION SPEC -	DRAWING NO 1546855	RESTRICTED TO -
1		WEIGHT -	SCALE 4:1 SHEET 1 OF 1 REV 0	
CUSTOMER DRAWING				