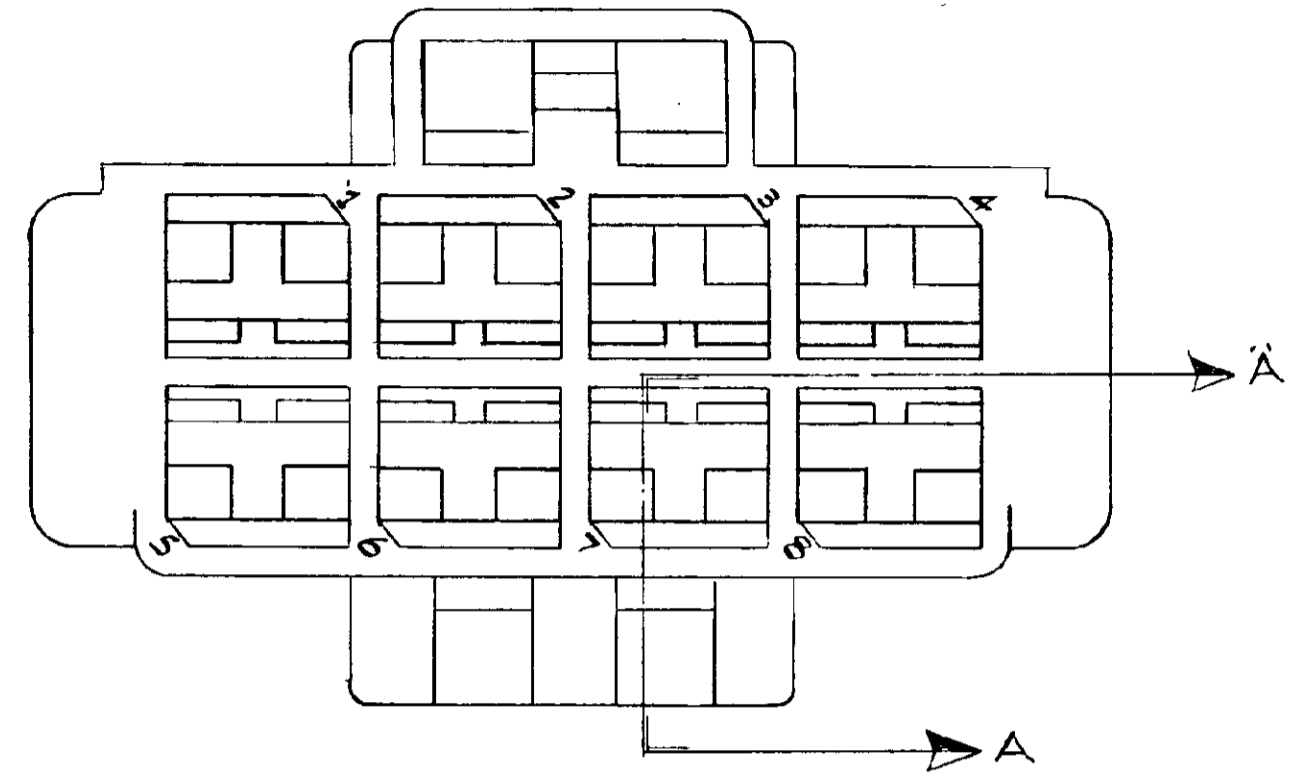
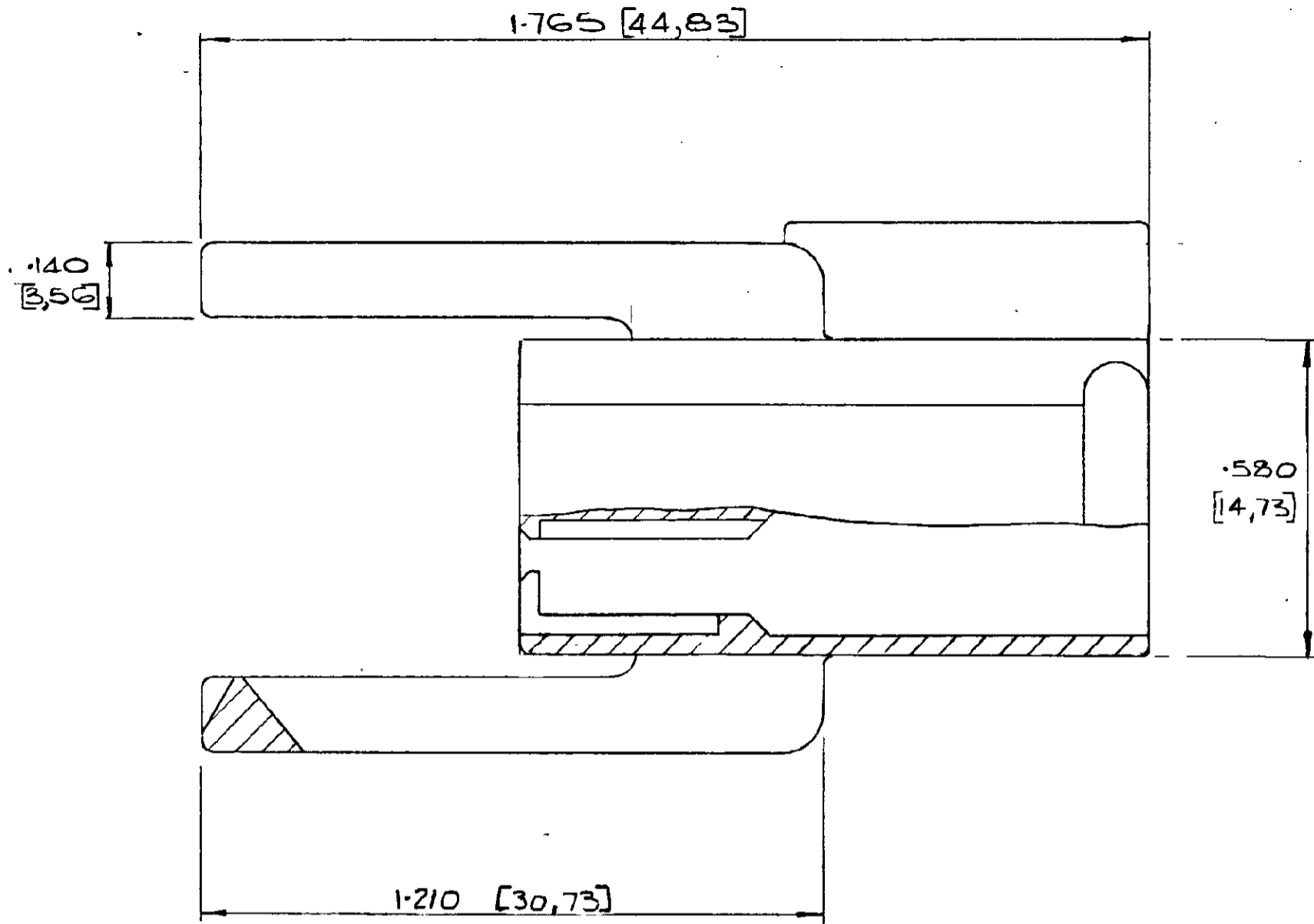
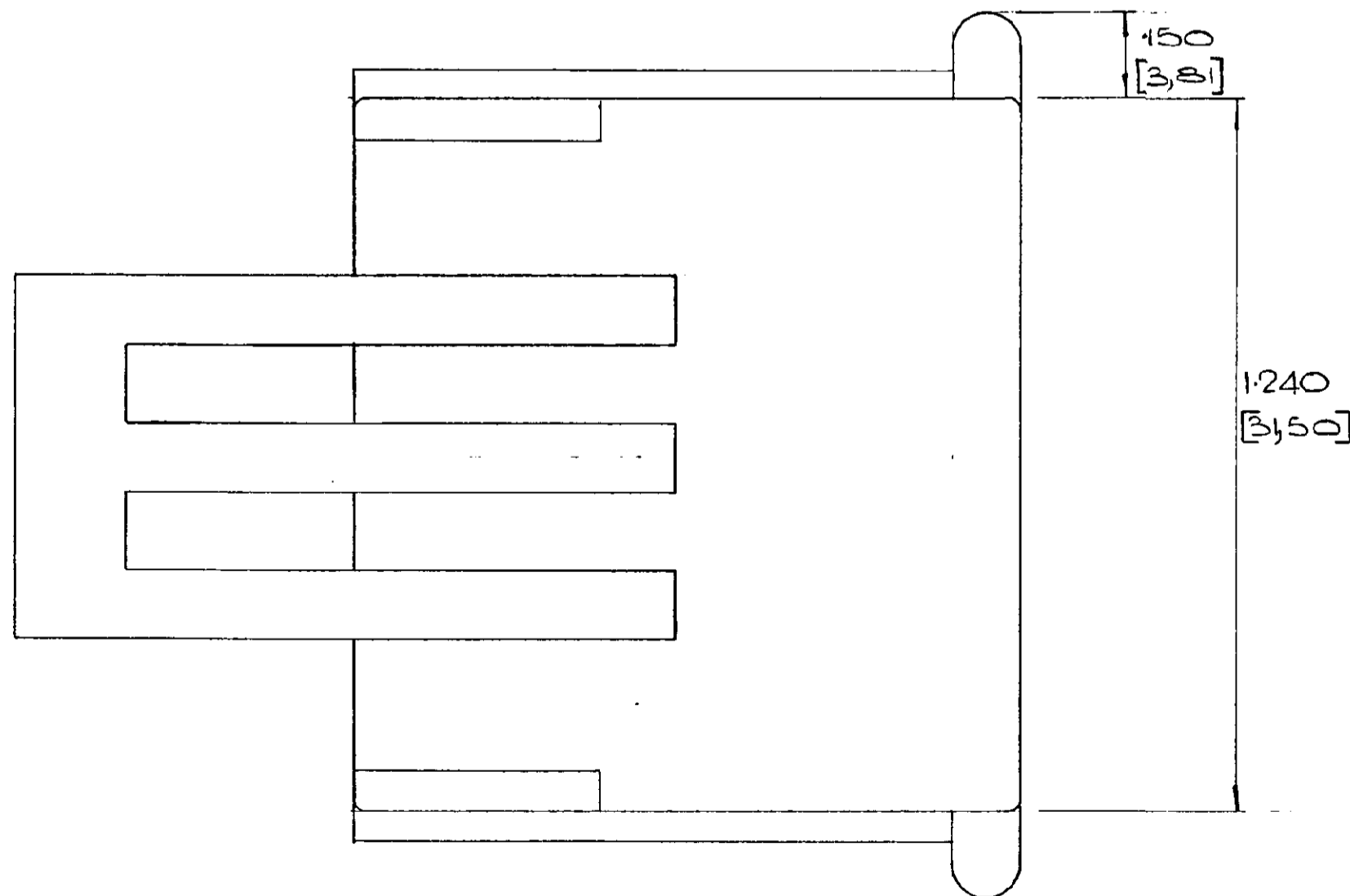


NUMBER C154761



VIEW SHOWING PART SECTION A-A



154761-9	BLACK
↑ -8	GREY
-7	VIOLET
-6	BLUE
-5	GREEN
OBSOLETE	-4 YELLOW
OBSOLETE	-3 ORANGE
↓ -1	BROWN
154761-0	NATURAL
PART N <sup>o</sup>	FINISH



ACTUAL SIZE

E	COLORS ADDED	DR	-	19/1/77	© AMP OF GREAT BRITAIN LTD 1978	CUSTOMER COPY REFERENCE ONLY	
D	MATE WAS MAKE	DR	-	9/9/78		MATERIAL AND FINISH NYLON G-G	AMP of Great Britain Ltd
C	NATURAL WAS -1 BLACK WAS -2	KS	-	17/4/78	SEE TABLE		
B	FINISH TABLE DELETED	DR	-	1/1/77	WIRE - RANGE - INSULATION	TYPE	
F	E800-0549-96	DR	-	29/1/79	TOLERANCE EXCEPT AS NOTED	SCALE	LOC
DR	B.G. COBB	DR	CHK	DATE	± 0.15 0.25 ± 10°	4-1	E
CHK	K STEVENS	DR	CHK	DATE	NAME		C
					8-WAY POSITIVE MATE RECEPTACLE HSC		

PRINT DIST.