

THIS DRAWING IS UNPUBLISHED.

RELEASED FOR PUBLICATION

ALL RIGHTS RESERVED.

© COPYRIGHT - By -

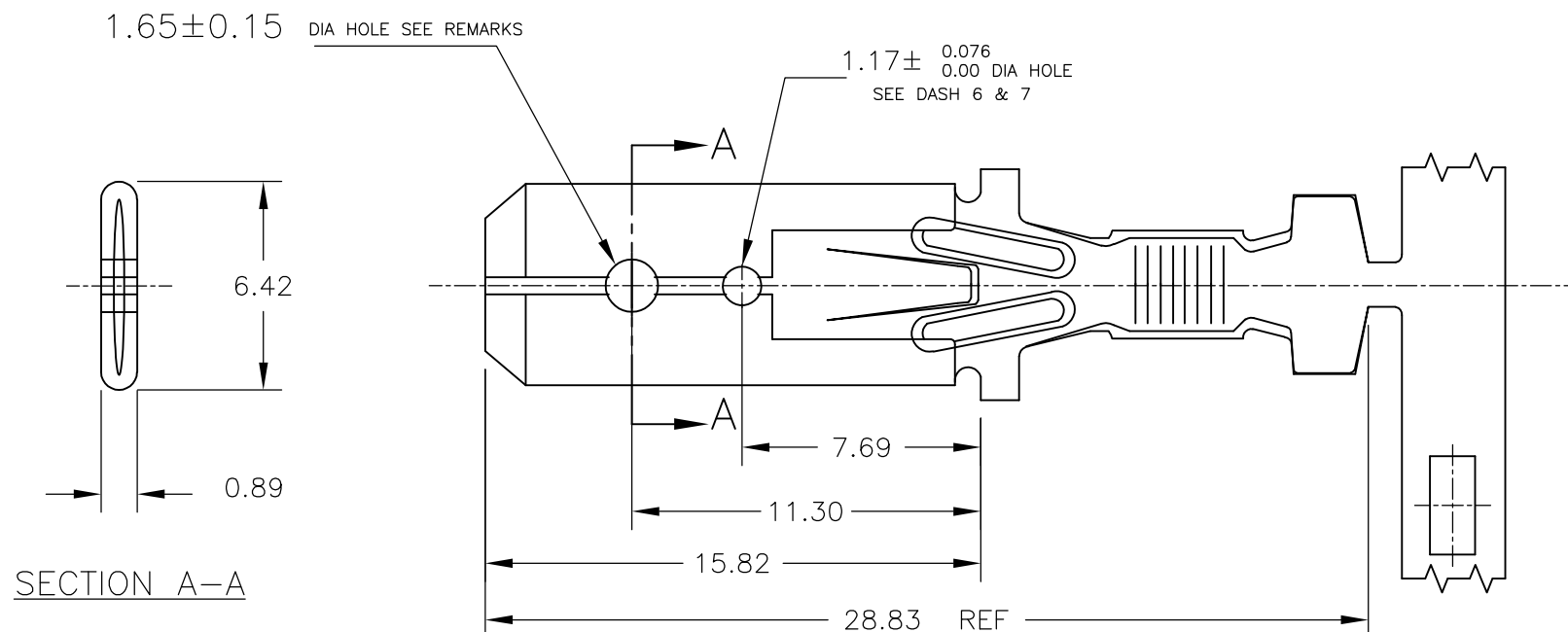
LOC DIST

REVISIONS

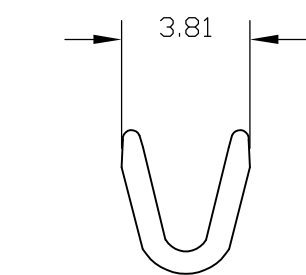
P	LTR	DESCRIPTION	DATE	DWN	APVD
	M	REVISED PER ECR-13-005733	02SEP13	KH	PD

NOTES

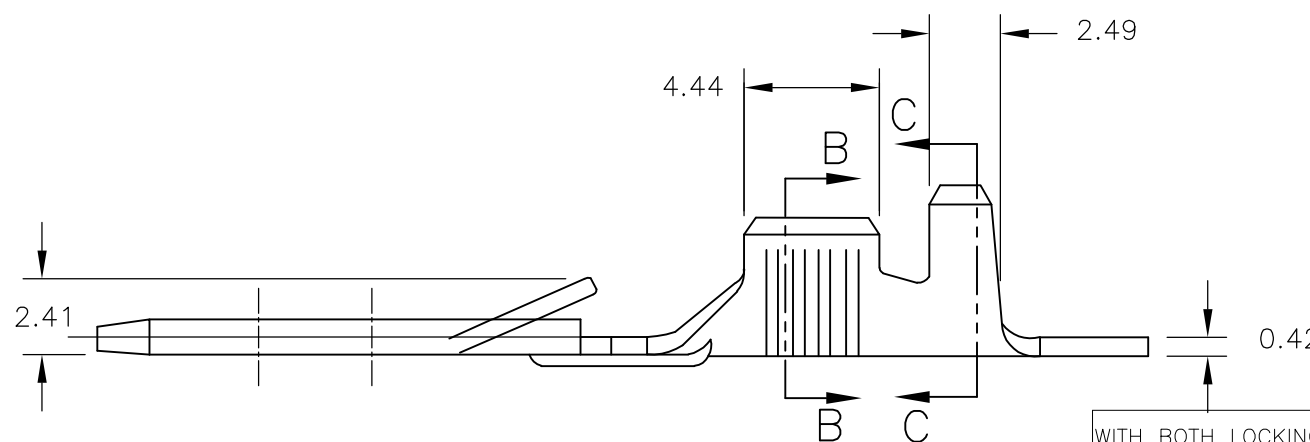
- 1 DIMENSIONS WITH MAX. TOLERANCES (DIMENSIONES CON TOLERANCIAS MAX)
- 2 FOR REVERSE REAL SEE DWG. 155098 DASCHES 1 - 2 - 3 AND 4 ONLY. (PARA ENROLLADO OPUESTO VER DIDUJO 155098- 1, 2, 3 Y 4 SOLEMANTE.)



SECTION A-A



SECTION B-B



SECTION C-C

REMARKS (OBSERVS.)	FINISH(TERMINADO)	MATERIAL	PART NUMBER
WITH BOTH LOCKING HOLES 1.65 AND 1.17 DIA	NONE(NINGUNO)	PHOS. BRONZE	155378-8
WITH BOTH LOCKING HOLES 1.65 AND 1.17 DIA	TIN PLATED(ESTANO)	BRASS(LATON)	155378-7
	NONE(NINGUNO)	BRASS(LATON)	155378-6
WITH BOTH LOCKING HOLES	NONE(NINGUNO)	PHOS. BRONZE	155378-5
	TIN PLATED(ESTANO)	BRASS(LATON)	155378-4
WITH LOCKING HOLE 1.65 ONLY	NONE(NINGUNO)	BRASS(LATON)	155378-3
	TIN PLATED(ESTANO)	BRASS(LATON)	155378-2
WITH BOTH LOCKING HOLES	NONE(NINGUNO)	BRASS(LATON)	155378-1

THIS DRAWING IS A CONTROLLED DOCUMENT.

DIMENSIONS: mm	TOLERANCES UNLESS OTHERWISE SPECIFIED:
	0 PLC ± -
	1 PLC ± -
	2 PLC ± 0.10
	3 PLC ± 0.25
	4 PLC ± -
	ANGLES ± 1°

WIRE RANGE	MATERIAL	FINISH
18-14	-	-

DWN	A LOPEZ
CHK	J ELIAS
APVD	J ELIAS
PRODUCT SPEC	-
APPLICATION SPEC	-
WEIGHT	-

**STE** TE Connectivity

FASTIN FASTON TAB .250 SERIES

SIZE	CAGE CODE	DRAWING NO	RESTRICTED TO
A3	00779	C-155378	-

CUSTOMER DRAWING SCALE NTS SHEET 1 OF 1 REV M