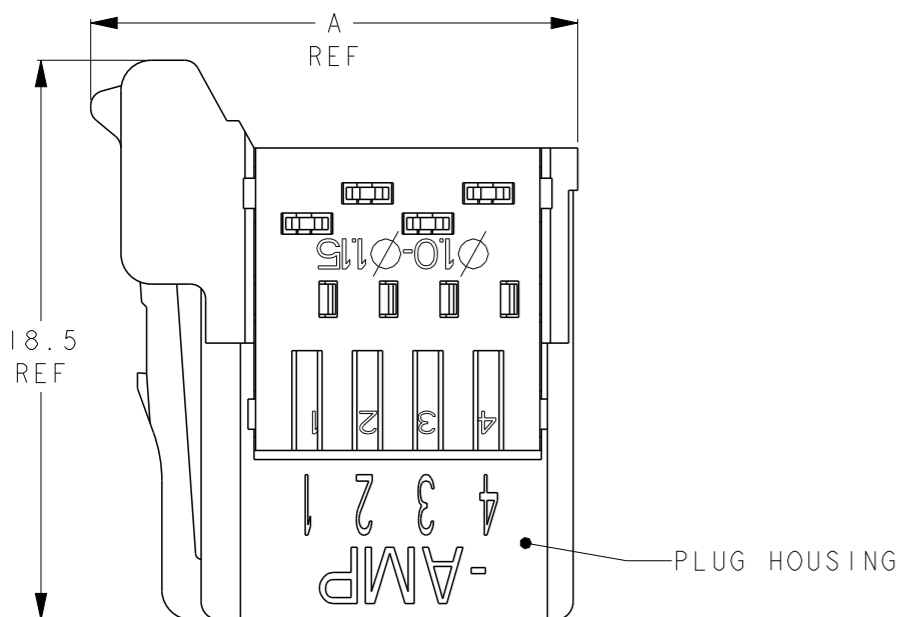


THIS DRAWING IS UNPUBLISHED. RELEASED FOR PUBLICATION 20
 © COPYRIGHT 20 BY - ALL RIGHTS RESERVED.

REVISIONS

| P | LTR | DESCRIPTION | DATE | DWN | APVD |
|---|-----|-------------|-----------|-----|------|
| | A | RELEASED | 28JAN2017 | T.S | E.T |
| | B | REVISED | 02AUG2023 | H.O | T.S |

1554809-4
 1-1554809-4
 2-1554809-4:AS SHOWN

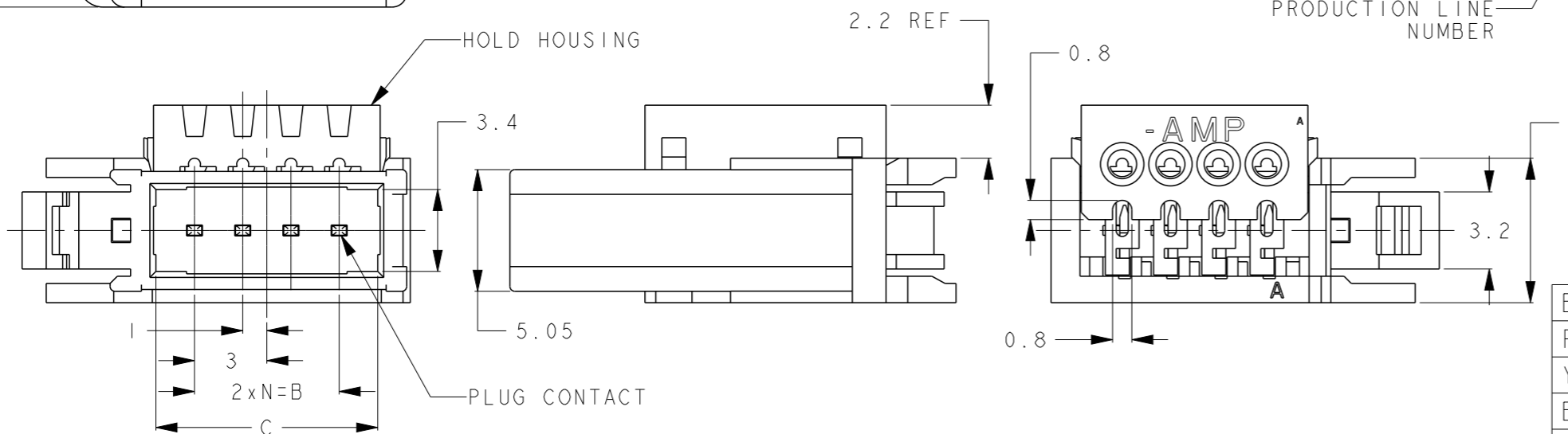


- ① MATERIAL: PLUG HOUSING : GLASS FILLED THERMOPLASTIC, 94V-0, BLACK
 HOLD HOUSING : PC, 94V-0, YELLOW: 0- . RED: 1- . BLUE: 2-
 CONTACT : COPPER ALLOY
- ② FINISH: UNDERPLATE : Ni 1.27μm min
 CONTACT AREA : Au 0.2μm min

- ③ SOME PRODUCTION LINES HAVE DATE CODES LISTED.
 DATE CODE : 6 DIGITS
 SHALL BE MARKED BY LASER MARKER.

A 23 28 3
 DAY OF A WEEK
 WEEK (01-52 OR 53)
 YEAR

PRODUCTION LINE NUMBER

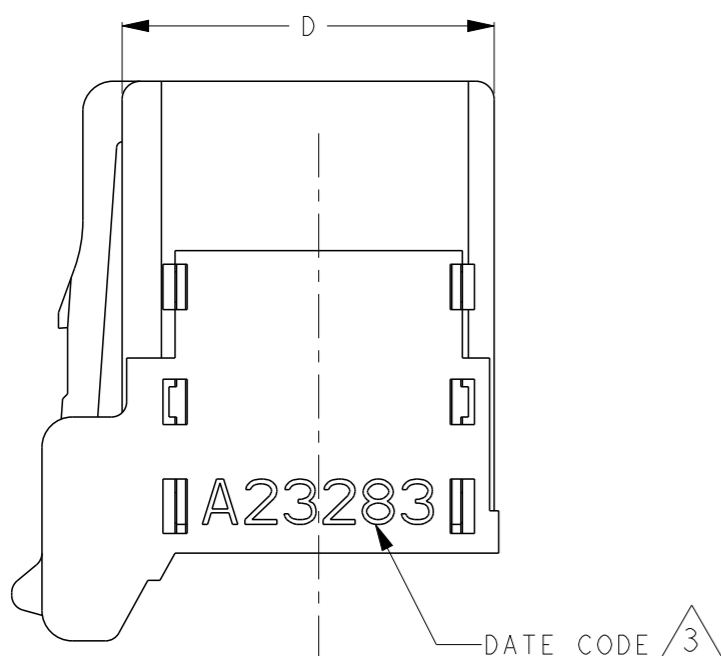


| | | | | | | | |
|----------------|-------|------|----|------|---|-----|-------------|
| BLUE | 20.35 | 17.2 | 14 | 24.1 | 7 | 8 | 2-1554809-8 |
| RED | 20.35 | 17.2 | 14 | 24.1 | 7 | 8 | 1-1554809-8 |
| YELLOW | 20.35 | 17.2 | 14 | 24.1 | 7 | 8 | 1554809-8 |
| BLUE | 16.35 | 13.2 | 10 | 20.1 | 5 | 6 | 2-1554809-6 |
| RED | 16.35 | 13.2 | 10 | 20.1 | 5 | 6 | 1-1554809-6 |
| YELLOW | 16.35 | 13.2 | 10 | 20.1 | 5 | 6 | 1554809-6 |
| BLUE | 12.35 | 9.2 | 6 | 16.1 | 3 | 4 | 2-1554809-4 |
| RED | 12.35 | 9.2 | 6 | 16.1 | 3 | 4 | 1-1554809-4 |
| YELLOW | 12.35 | 9.2 | 6 | 16.1 | 3 | 4 | 1554809-4 |
| BLUE | 10.35 | 7.2 | 4 | 14.1 | 2 | 3 | 2-1554809-3 |
| RED | 10.35 | 7.2 | 4 | 14.1 | 2 | 3 | 1-1554809-3 |
| YELLOW | 10.35 | 7.2 | 4 | 14.1 | 2 | 3 | 1554809-3 |
| HOLD HSG COLOR | D | C | B | A | N | POS | PART NO |

· Instruction Sheet: 411-78014

<Table of Insulation Dia (Cable suitable for e-CON.)>

| HOLD HSG COLOR | INSULATION DIA | PART NO | SHEET NO |
|----------------|----------------|-------------|-------------|
| ORANGE | ∅0.60~0.90 | 3-1554809-□ | SEE SHEET 3 |
| RED | ∅0.90~1.00 | 1-1554809-□ | SEE SHEET 1 |
| YELLOW | ∅1.00~1.15 | 1554809-□ | SEE SHEET 1 |
| BLUE | ∅1.15~1.35 | 2-1554809-□ | SEE SHEET 1 |
| GREEN | ∅1.35~1.60 | 4-1554809-□ | SEE SHEET 2 |



THIS DRAWING IS A CONTROLLED DOCUMENT.

| DIMENSIONS: | TOLERANCES UNLESS OTHERWISE SPECIFIED: |
|-------------|--|
| mm | 0 PLC ± 1 PLC ± 2 PLC ± ±0.2 3 PLC ± ±3° 4 PLC ± ANGLES ± |
| MATERIAL | FINISH |
| ① SEE NOTE | ② SEE NOTE |

| | |
|------------------|-----------|
| DWN | 28JAN2017 |
| T. SHIMOYASU | |
| CHK | 28JAN2017 |
| E. TAKEMASA | |
| APVD | 28JAN2017 |
| N. YAMASAKI | |
| PRODUCT SPEC | 108-5765 |
| APPLICATION SPEC | - |
| WEIGHT | - |
| CUSTOMER DRAWING | |

WIRE RANGE 108-5765 INSULATION DIA 108-5765
 SEE 108-5765 SEE 108-5765

STE TE Connectivity

NAME: PLUG ASSEMBLY RITS CONNECTOR FOR e-CON

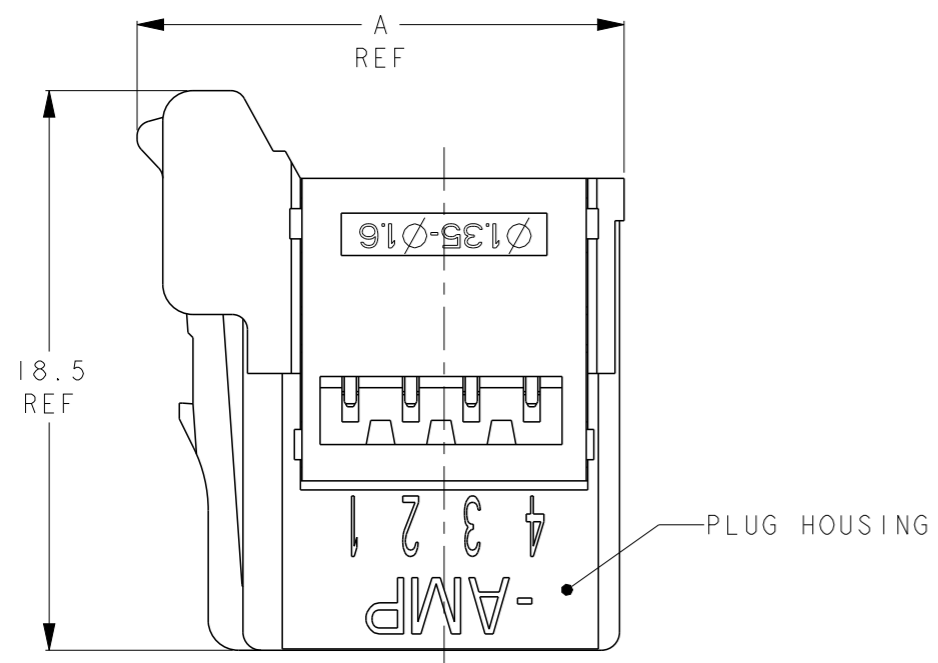
| SIZE | CAGE CODE | DRAWING NO | RESTRICTED TO |
|---------|-----------|------------|---------------|
| A300779 | C=1554809 | | - |

SCALE 4:1 SHEET 1 OF 3 REV B

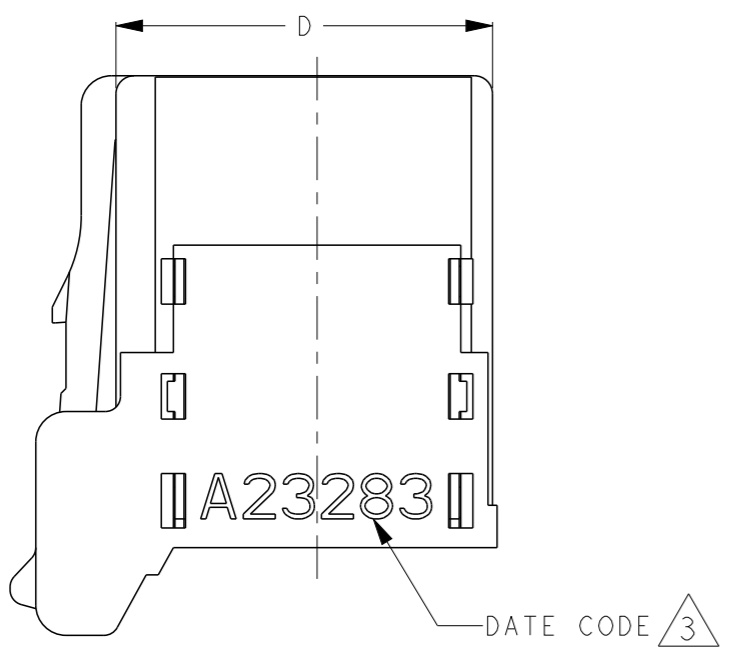
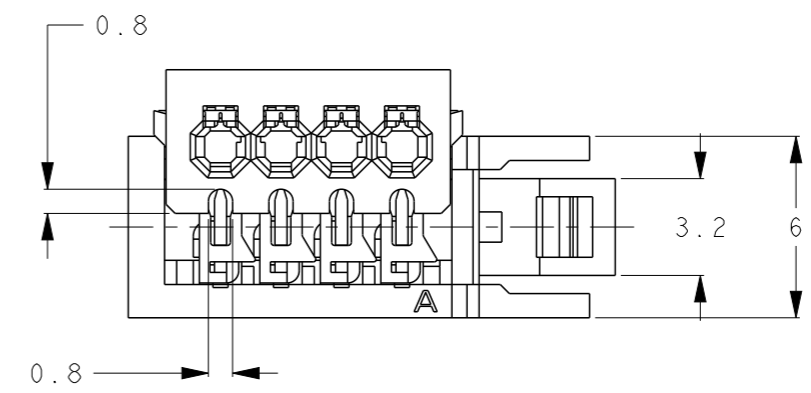
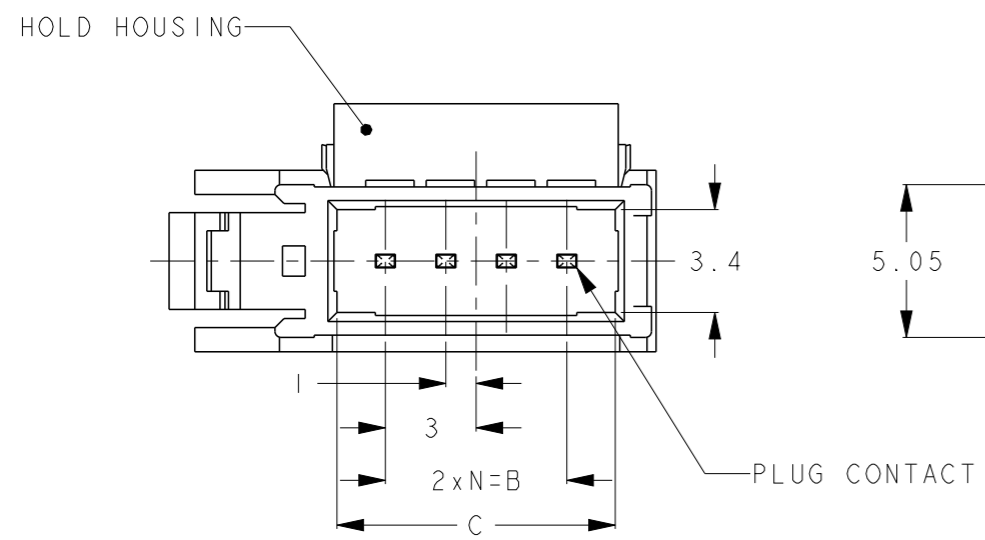
THIS DRAWING IS UNPUBLISHED. RELEASED FOR PUBLICATION 20
 © COPYRIGHT 20 BY - ALL RIGHTS RESERVED.

| REVISIONS | | | | | |
|-----------|-----|-------------|------|-----|------|
| P | LTR | DESCRIPTION | DATE | DWN | APVD |
| - | - | SEE SHEET 1 | - | - | - |
| | | | | | |
| | | | | | |

4-1554809-4:AS SHOWN




- 1 MATERIAL: PLUG HOUSING : GLASS FILLED THERMOPLASTIC, 94V-0, BLACK
 HOLD HOUSING : PC, 94V-0, GREEN: 4-
 CONTACT : COPPER ALLOY
- 2 FINISH: UNDERPLATE : Ni 1.27µm min
 CONTACT AREA : Au 0.2µm min
- 3 SOME PRODUCTION LINES HAVE DATE CODES LISTED.
 DATE CODE : 6 DIGITS
 SHALL BE MARKED BY LASER MARKER.
 A 23 28 3
 PRODUCTION LINE NUMBER DAY OF A WEEK
 WEEK (01-52 OR 53)
 YEAR



Instruction Sheet: 411-78014

| | | | | | | | |
|----------------|-------|------|----|------|---|-----|-------------|
| GREEN | 20.35 | 17.2 | 14 | 24.1 | 7 | 8 | 4-1554809-8 |
| | 16.35 | 13.2 | 10 | 20.1 | 5 | 6 | 4-1554809-6 |
| | 12.35 | 9.2 | 6 | 16.1 | 3 | 4 | 4-1554809-4 |
| | 10.35 | 7.2 | 4 | 14.1 | 2 | 3 | 4-1554809-3 |
| HOLD HSG COLOR | D | C | B | A | N | POS | PART NO |

| | | | | |
|--|--|------------------------------------|---|-----------------|
| THIS DRAWING IS A CONTROLLED DOCUMENT. | | DWN T. SHIMOYASU 28 JAN 2017 |  TE Connectivity | |
| DIMENSIONS: mm | | CHK E. TAKEMASA 28 JAN 2017 | | |
| TOLERANCES UNLESS OTHERWISE SPECIFIED: | | APVD N. YAMASAKI 28 JAN 2017 | NAME PLUG ASSEMBLY RITS CONNECTOR FOR e-CON | |
| 0 PLC ±- 1 PLC ±- ±0.2 2 PLC ±- ±3° 3 PLC ±- 4 PLC ±- ANGLES ±- | | PRODUCT SPEC 108-5765 | SIZE A300779 | |
| MATERIAL 1 SEE NOTE | | APPLICATION SPEC - | DRAWING NO C-1554809 | |
| FINISH 2 SEE NOTE | | WEIGHT - | RESTRICTED TO - | |
| CUSTOMER DRAWING | | SCALE 4:1 | | SHEET 2 OF 3 |
| | | | | REV B |

THIS DRAWING IS UNPUBLISHED.

RELEASED FOR PUBLICATION

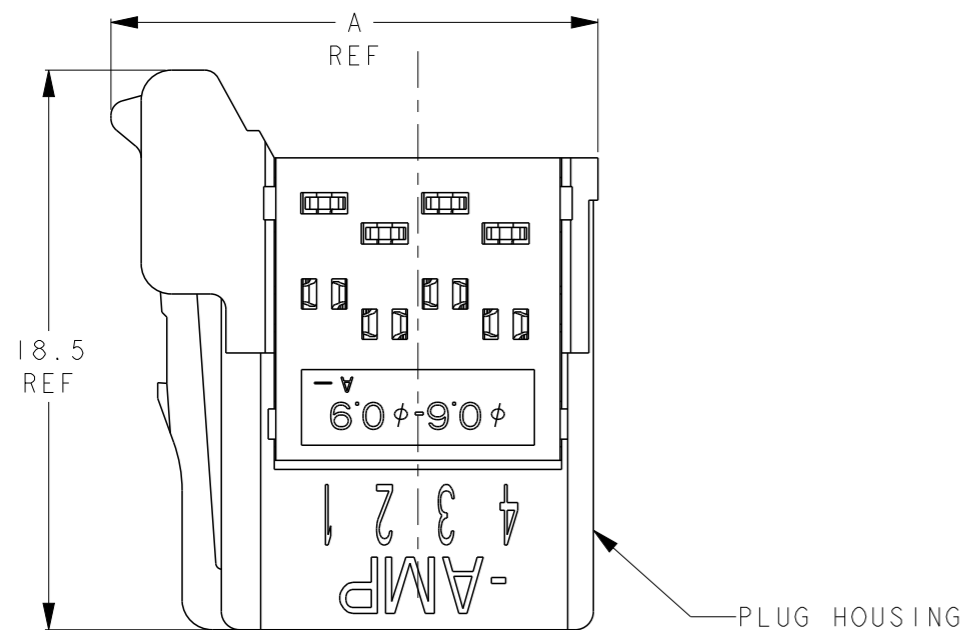
20

© COPYRIGHT 20 BY - ALL RIGHTS RESERVED.

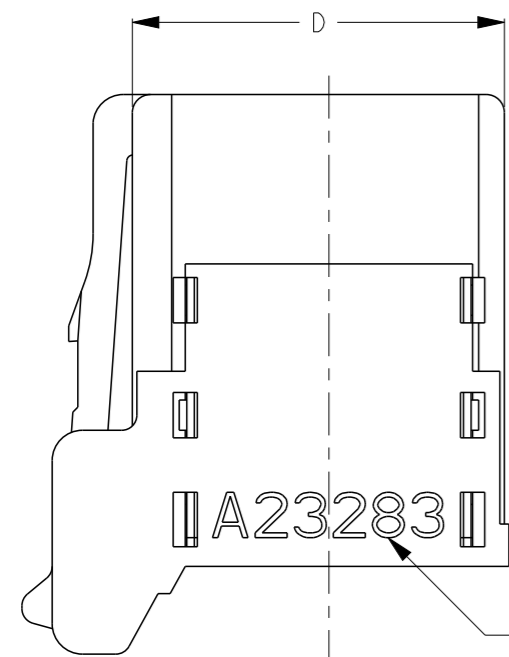
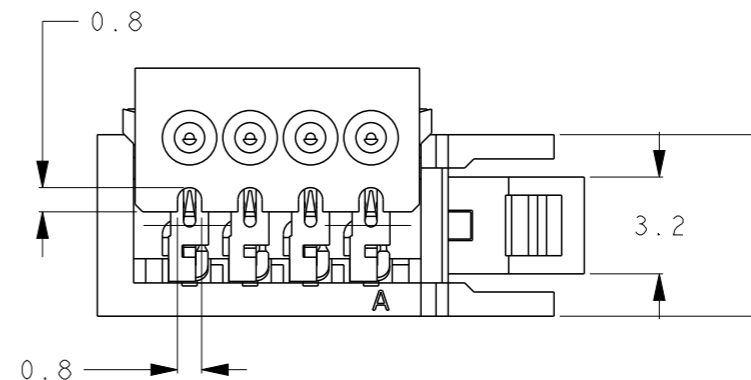
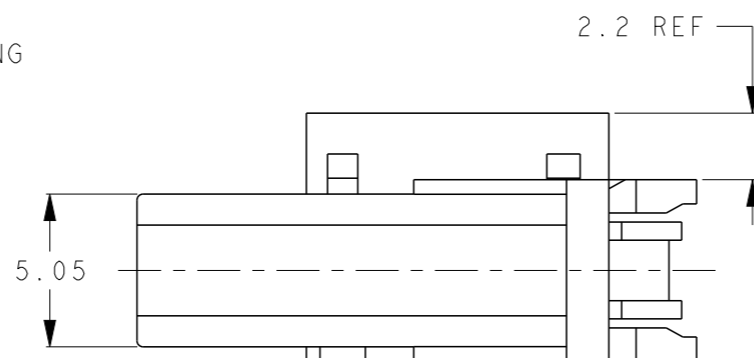
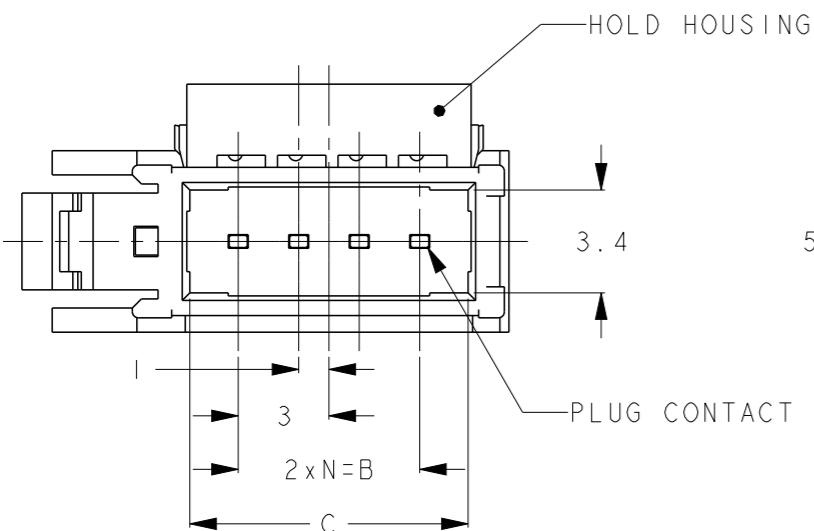
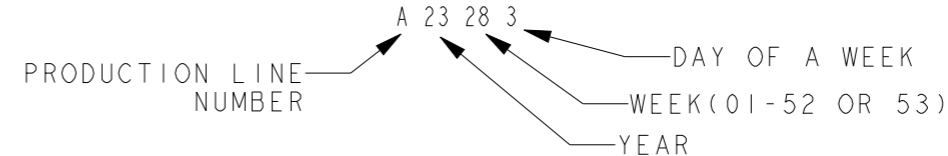
REVISIONS

| P | LTR | DESCRIPTION | DATE | DWN | APVD |
|---|-----|-------------|------|-----|------|
| - | - | SEE SHEET 1 | - | - | - |
| | | | | | |
| | | | | | |

3-1554809-4 : AS SHOWN



- 1 MATERIAL: PLUG HOUSING : GLASS FILLED THERMOPLASTIC, 94V-0, BLACK
HOLD HOUSING : PC, 94V-0, ORANGE: 3-
CONTACT : COPPER ALLOY
- 2 FINISH: UNDERPLATE : Ni 1.27μm min
CONTACT AREA : Au 0.2μm min
- 3 SOME PRODUCTION LINES HAVE DATE CODES LISTED.
DATE CODE : 6 DIGITS
SHALL BE MARKED BY LASER MARKER.



· Instruction Sheet: 411-78014

| | | | | | | | |
|----------------|-------|------|----|------|---|-----|-------------|
| ORANGE | 20.35 | 17.2 | 14 | 24.1 | 7 | 8 | 3-1554809-8 |
| | 16.35 | 13.2 | 10 | 20.1 | 5 | 6 | 3-1554809-6 |
| | 12.35 | 9.2 | 6 | 16.1 | 3 | 4 | 3-1554809-4 |
| | 10.35 | 7.2 | 4 | 14.1 | 2 | 3 | 3-1554809-3 |
| HOLD HSG COLOR | D | C | B | A | N | POS | PART NO |

| | | | | |
|--|--|------------------------------------|---|----------|
| THIS DRAWING IS A CONTROLLED DOCUMENT. | | DWN T. SHIMOYASU 28 JAN 2017 | TE Connectivity | |
| DIMENSIONS: mm | | CHK E. TAKEMASA 28 JAN 2017 | | |
| TOLERANCES UNLESS OTHERWISE SPECIFIED: | | APVD N. YAMASAKI 28 JAN 2017 | NAME PLUG ASSEMBLY RITS CONNECTOR FOR e-CON | |
| 0 PLC ±- 1 PLC ±- ±0.2 2 PLC ±- ±3° 3 PLC ±- 4 PLC ±- ANGLES ±- | | PRODUCT SPEC 108-5765 | SIZE A300779 | |
| MATERIAL 1 SEE NOTE | | APPLICATION SPEC - | DRAWING NO C-1554809 | |
| FINISH 2 SEE NOTE | | WEIGHT - | RESTRICTED TO - | |
| CUSTOMER DRAWING | | SCALE 4:1 | SHEET 3 OF 3 | |
| | | | | REV B |