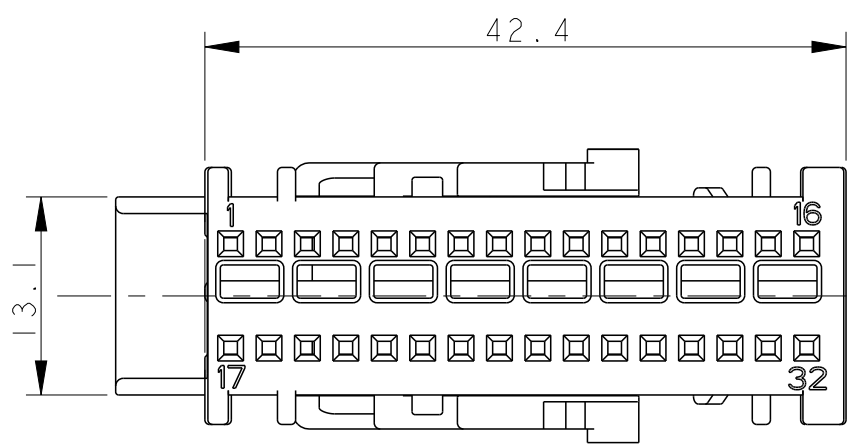


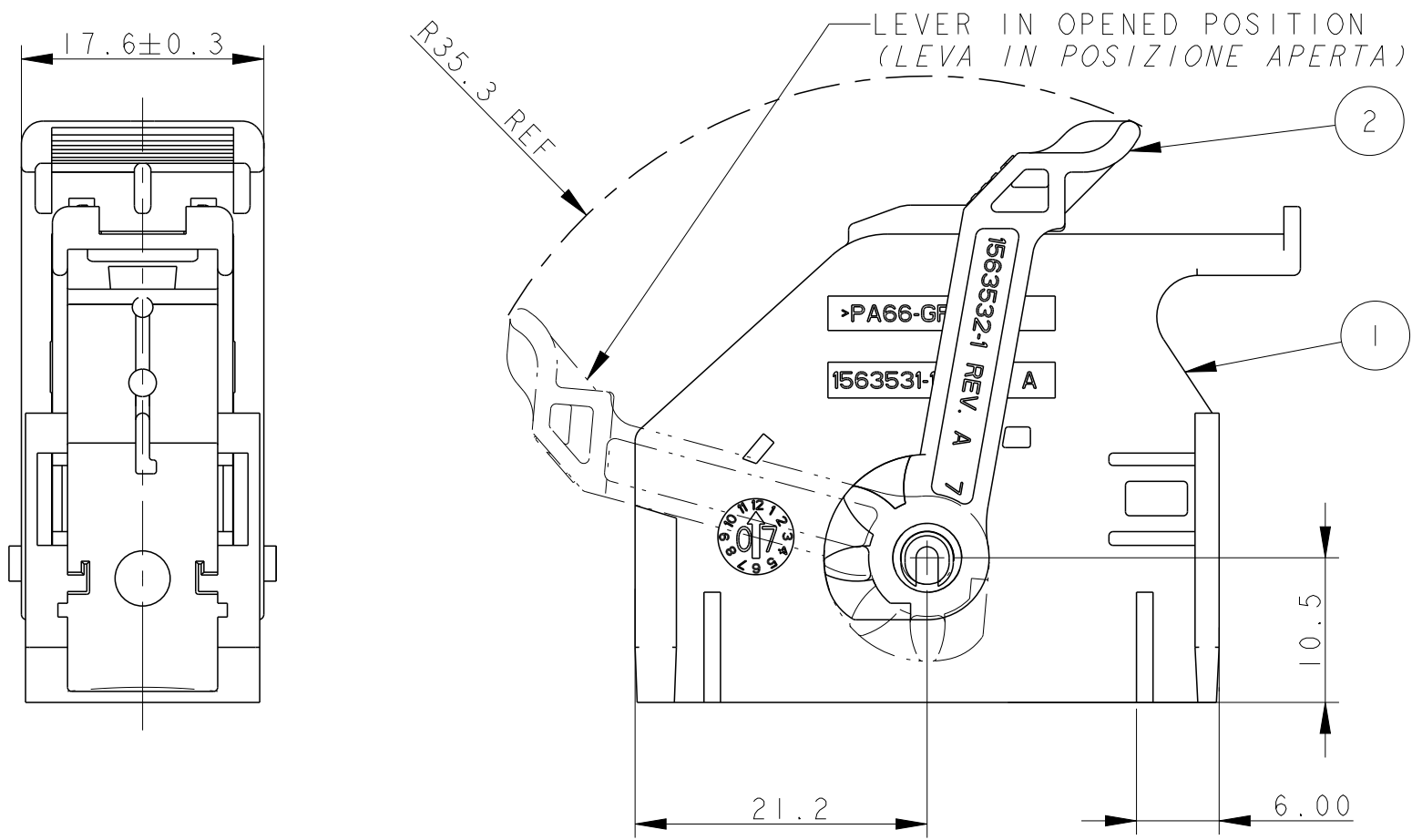
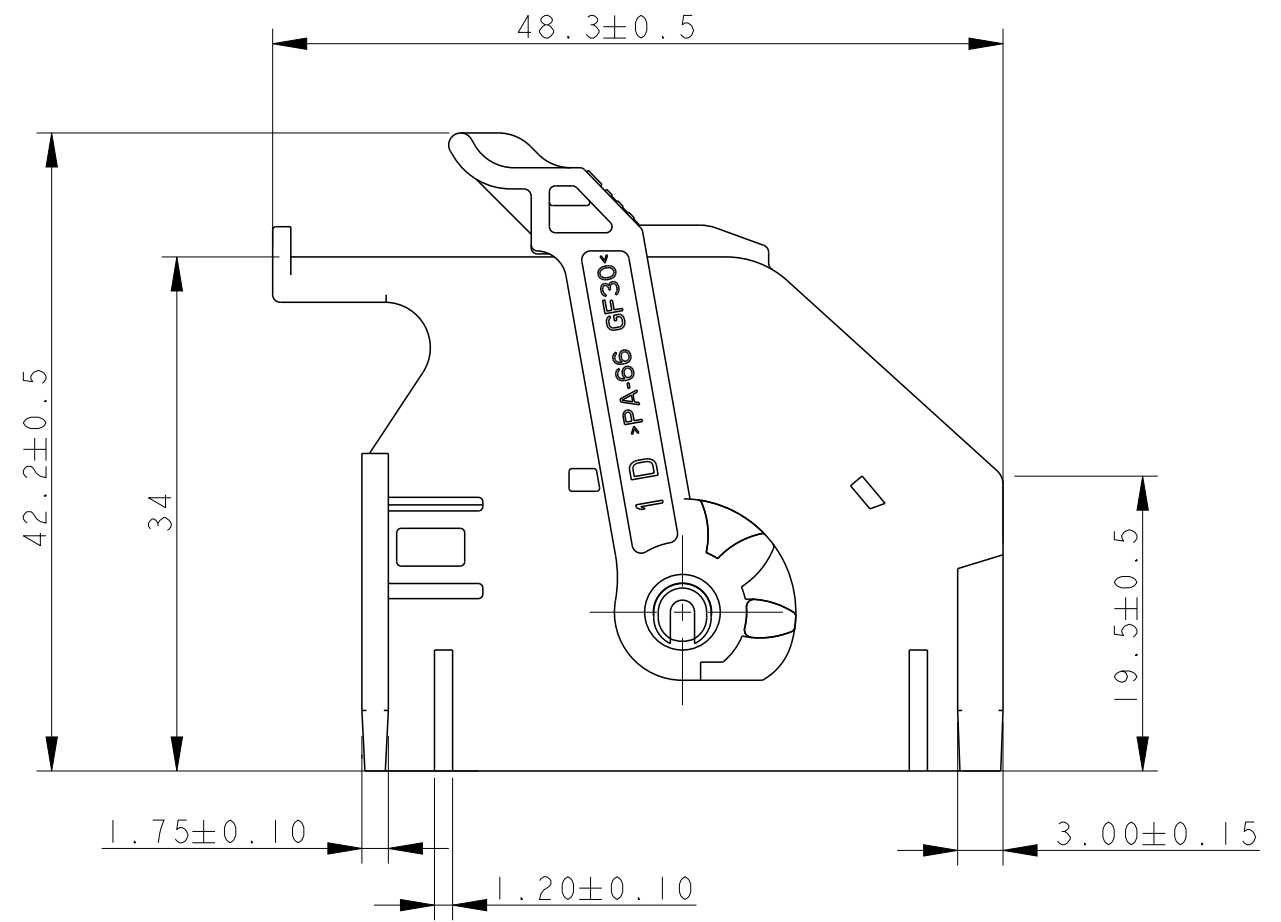
THIS DRAWING IS UNPUBLISHED. RELEASED FOR PUBLICATION 20  
 © COPYRIGHT 20 BY - ALL RIGHTS RESERVED.

REVISIONS					
P	LTR	DESCRIPTION	DATE	DWN	APVD
1		UPDATED DRAWING (WAS 07-51174)	02OCT2007	M.P.	O.C.
2		UPDATED DRAWING	16NOV2007	M.P.	O.C.
A		RELEASED FOR PRODUCTION (ECR-08-027709)	01DEC2008	M.P.	M.G.
A1		REMOVED -3/-5/-7 (ECR-12-010313)	07JUN2012	M.P.	M.G.
A2		REVISED PER ECN-22-160458	22JUN2022	V.N.	V.N.

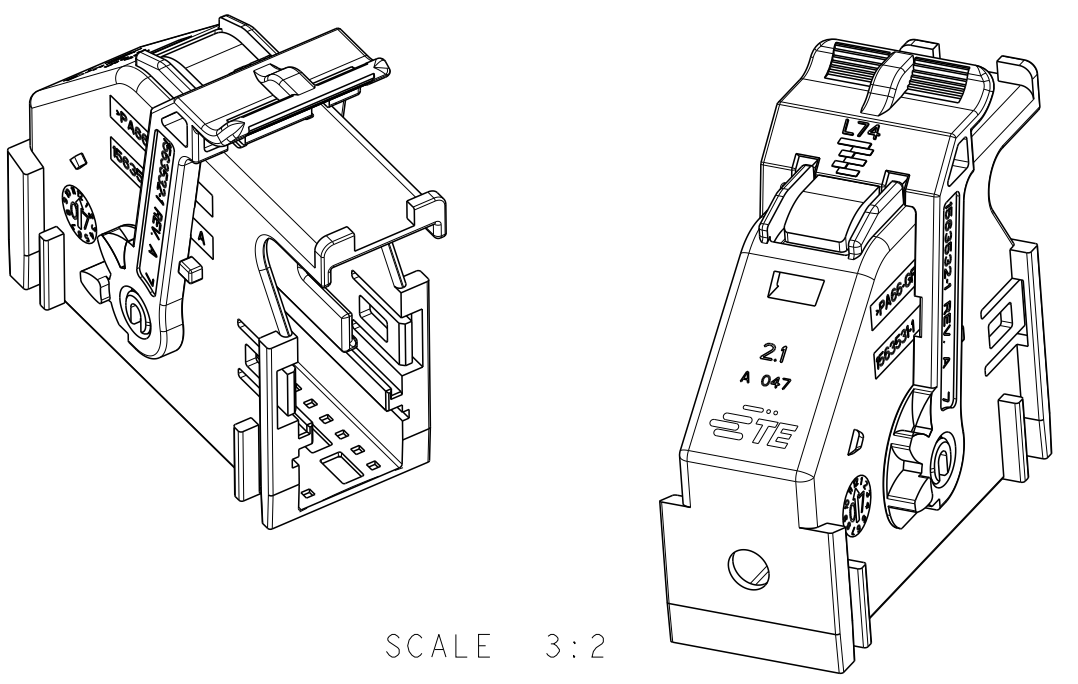
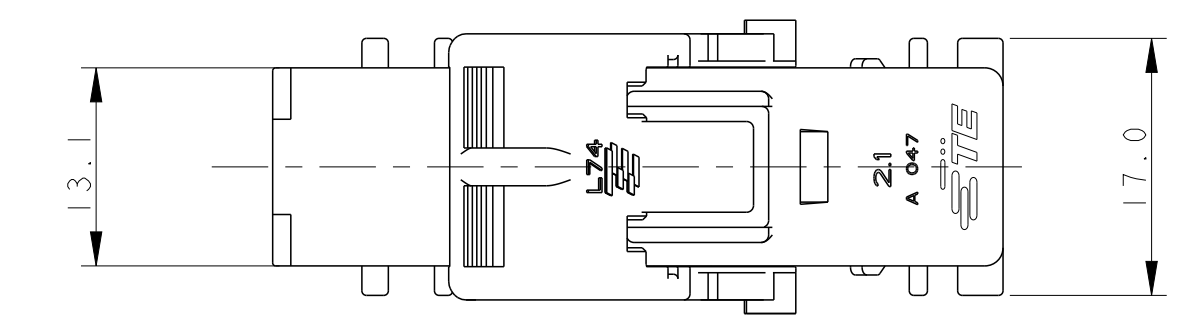


ITEM (N.)	DESCRIPTION (DESCRIZIONE)	ASSY P/N (P/N ASSY) REVISION (REVISIONE)	COLOUR (COLORE)	MATERIAL (MATERIALE)	Q.TY (Q. TA')	HOUSING (MODULO CONTATTI)
1	SHELL (CORAZZA)	1563530-1	BLACK (NERO)	PA66 GF	1	284422-1
2	LEVER (LEVA)	Rev. A	YELLOW (GIALLO)	PA66 GF	1	
1	SHELL (CORAZZA)	<del>1563530-2</del> Rev. A	GRAY (GRIGIO)	PA66 GF	1	284422-2
2	LEVER (LEVA)	<b>OBSOLETE</b>	YELLOW (GIALLO)	PA66 GF	1	

COUNTERPART (NOTE 3)	KEY CODE
PRODUCT SUITABLE FOR PIN HEADER 24+32 POSITIONS. KEY GEOMETRY RC-Rc/RI-Ri, P/N 1355737-... (IL PRODOTTO E' ADATTO PER IL PIN HEADER 24+32, POSITION KEY GEOMETRY RC-Rc/RI-Ri, P/N 1355737-...)	<p>1563530-2 : COLOUR GRAY (COLORE GRIGIO)</p>



**P/N 1563530-1  
 BLACK COLOUR  
 AS SHOWN  
 (COLORE NERO  
 COME MOSTRATO)**



SCALE 3:2

**NOTES (NOTE) :**

- 1) SLOT SUITABLE FOR HOUSING P/N 284422-1 (CAVITA' IDONEA PER MODULO CONTATTI P/N 284422-1)
- 2) THE PRODUCT IS SUPPLIED WITH LEVER IN CLOSED POSITION (IL PRODOTTO VIENE FORNITO CON LA LEVA IN POSIZIONE CHIUSA)
- 3) PRODUCT SUITABLE FOR PIN HEADER 24+32 POSITIONS. KEY GEOMETRY RA-Ra/RI-Ri, P/N 1355737-... (IL PRODOTTO E' ADATTO PER IL PIN HEADER 24+32, POSITION KEY GEOMETRY RA-Ra/RI-Ri, P/N 1355737-...)
- 4) FOR PROPER MATING WITH PIN HEADER 24+32 POSITIONS SEE INSTRUCTION SHEET N. 411-20054 (PER UN CORRETTO ACCOPPIAMENTO CON IL PIN HEADER 24+32 POSIZIONI VEDERE FOGLIO ISTRUZIONI N. 411-20054)

THIS DRAWING IS A CONTROLLED DOCUMENT.		DWN M. POLIZZI 25JUN2007	TE Connectivity	
DIMENSIONS: mm		CHK O. CANUTO 25JUN2007		
TOLERANCES UNLESS OTHERWISE SPECIFIED:		APVD A. GENIA 25JUN2007	NAME 32 POS. AIRBAG SHELL WITH LEVER ASSY (FRENCH MARKET) 32 POS. AIRBAG LEVA E CORAZZA ASSEMBLATI (MERCATO FRANCESE)	
0 PLC ±0.3		PRODUCT SPEC 108-20223	SIZE A2	
1 PLC ±0.2		APPLICATION SPEC 411-20054	CAGE CODE 0779	
2 PLC ±0.1		WEIGHT -	DRAWING NO C-1563530	
3 PLC ±		CUSTOMER DRAWING	RESTRICTED TO	
4 PLC ±			SCALE 2:1 SHEET 1 OF 1 REV A2	
ANGLES ±1°				
FINISH				