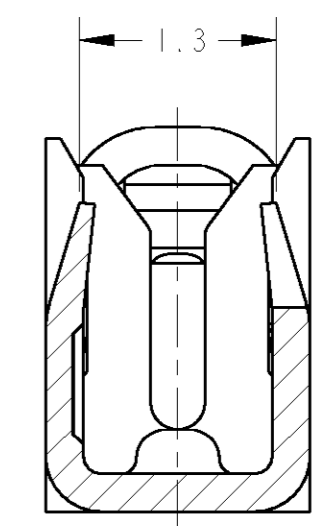
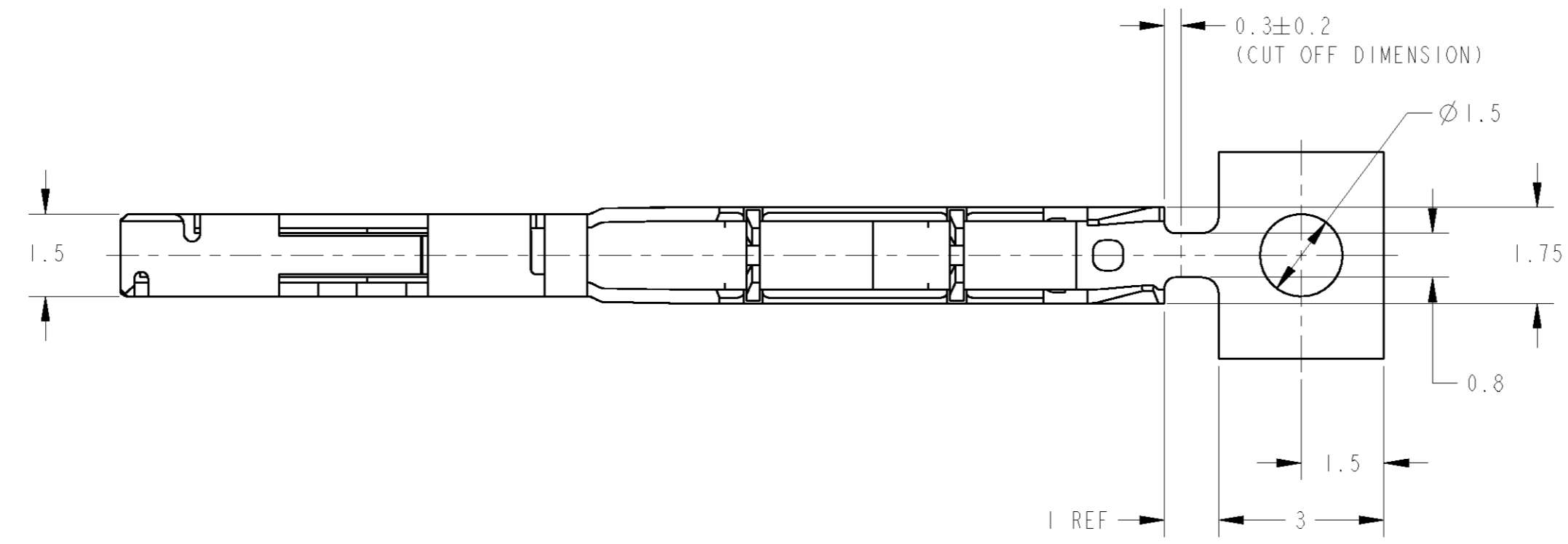
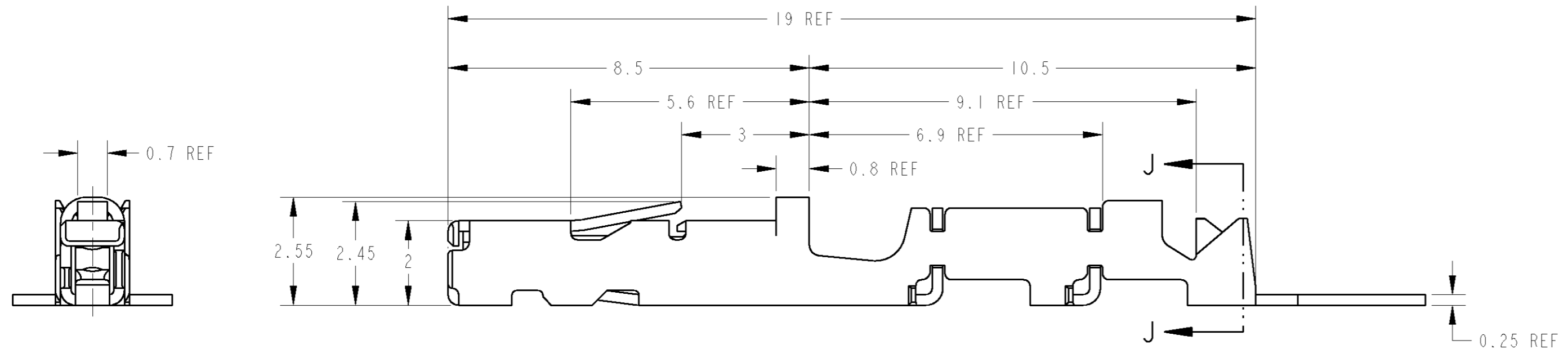


THIS DRAWING IS UNPUBLISHED. RELEASED FOR PUBLICATION .19
 © COPYRIGHT 19 BY AMP INCORPORATED. ALL RIGHTS RESERVED.

| REVISIONS | | | | | |
|-----------|-----|-------------|--------------|---------|---------|
| P | LTR | DESCRIPTION | ECN | DATE | APVD |
| 0 | | RELEASED | FJ00-2067-01 | 11OCT01 | S.A N.S |



J-J
SCALE 20:1



- 1. 端子送りピッチ: 8.8mm
- 2. 取扱説明書: 411-5912
- 1. CONTACT FEED PITCH: 8.8mm
- 2. INSTRUCTION SHEET No; 411-5912

| | |
|-------------|-----------|
| TIN PLATING | 1565404-1 |
| FINISH | PART NO |

| | | | |
|-----------------------|----------------------|------------------------|------------|
| WIRE RANGE 絶縁電線断面積 | 0.22 mm ² | INSULATION DIA 絶縁外径 | Ø0.8~1.2mm |
|-----------------------|----------------------|------------------------|------------|

| | | | |
|---|--|-------------------|----------|
| THIS DRAWING IS A CONTROLLED DOCUMENT FOR AMP INCORPORATED. IT IS SUBJECT TO CHANGE AND THE CONTROLLING ENGINEERING ORGANIZATION SHOULD BE CONTACTED FOR THE LATEST REVISION. | | DWN S. AMEMIYA | 11OCT01 |
| DIMENSIONS: 単位: 概 mm | | CHK N. SAI | 11OCT01 |
| TOLERANCES UNLESS OTHERWISE SPECIFIED: 一般公差: ±0.3 | | APVD N. SAI | 11OCT01 |
| 0-PLC ± | | PRODUCT SPEC | 108-5660 |
| 1-PLC ±0.1 | | APPLICATION SPEC | 114-5276 |
| 2-PLC ±0.15 | | WEIGHT | 0.23 g |
| 3-PLC ±0.001 | | CUSTOMER DRAWING | |
| 4-PLC ±0.001 | | | |
| ANGLES ±3°00' | | | |
| FINISH 仕上 | | | |
| MATERIAL 材料 CU Alloy | | | |

| | |
|---|--------------------|
| AMP Tyco Electronics AMP K.K. Kawasaki, Japan | |
| NAME 名称 025 IDC RECEPTACLE CONTACT (0.22Sq) | |
| SIZE | CAGE CODE 番号 |
| A2 | 00779 |
| DRAWING NO 1565404 | |
| SCALE 10:1 | SHEET 1 OF 1 REV 0 |