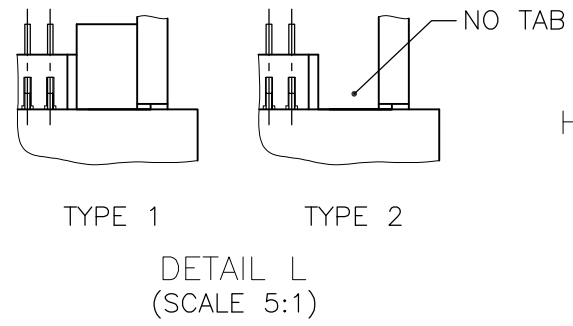
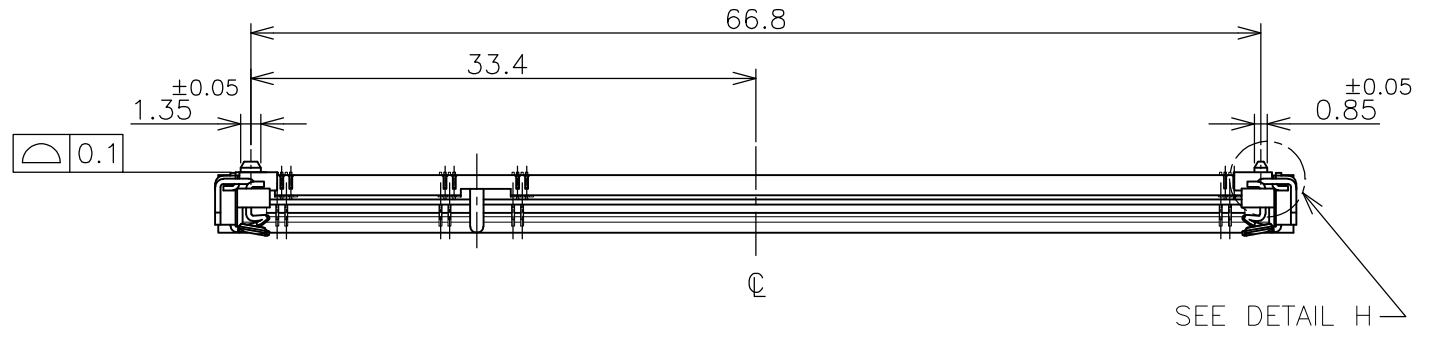
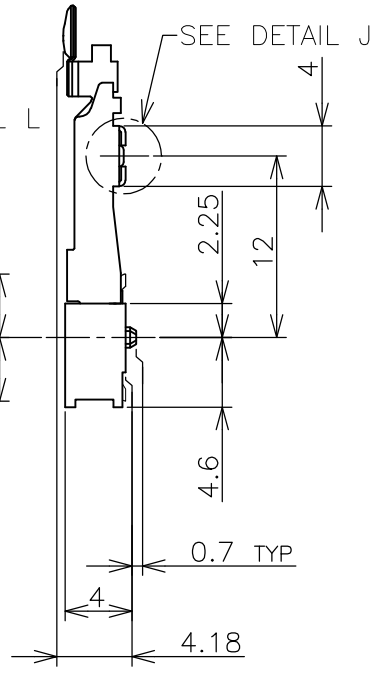
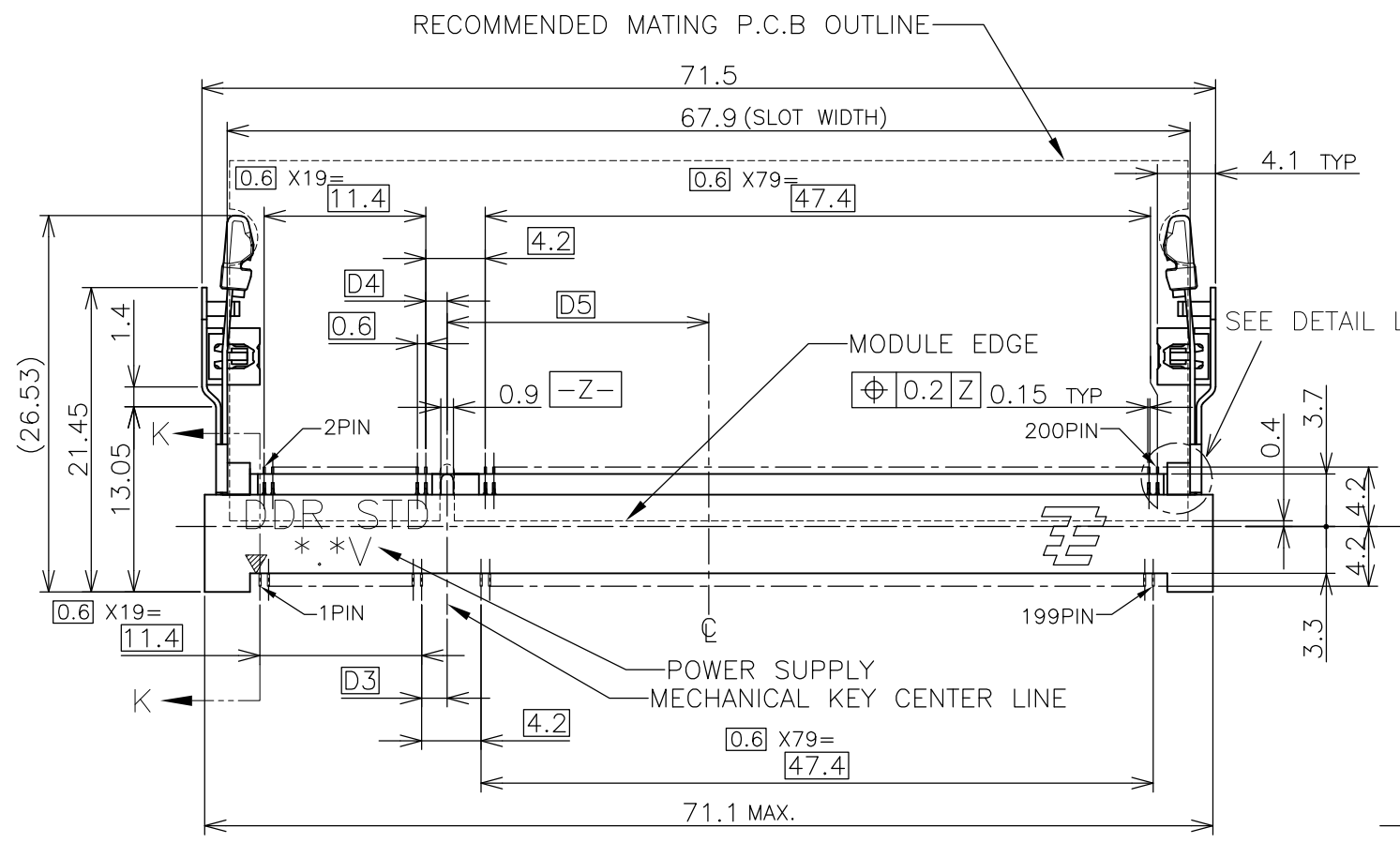
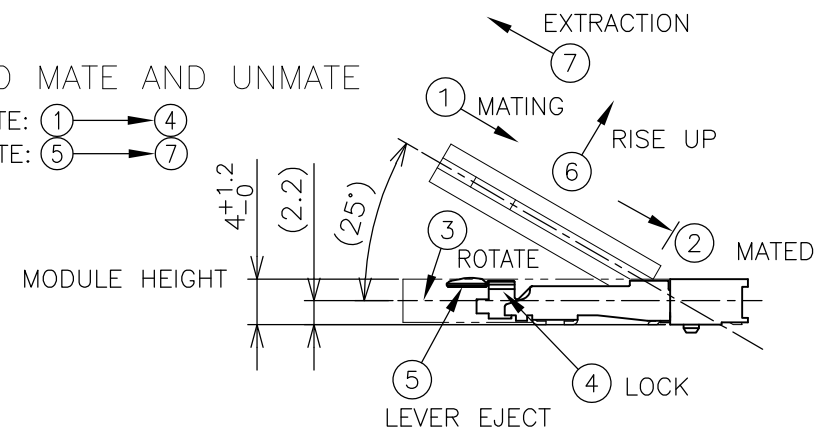


THIS DRAWING IS UNPUBLISHED. RELEASED FOR PUBLICATION OCT, 2001.
 © COPYRIGHT 2001 By - ALL RIGHTS RESERVED.

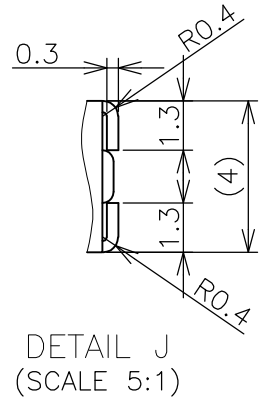
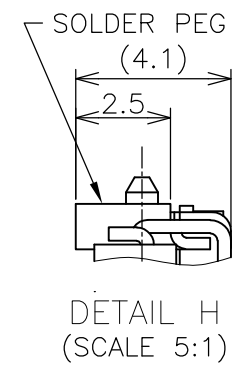
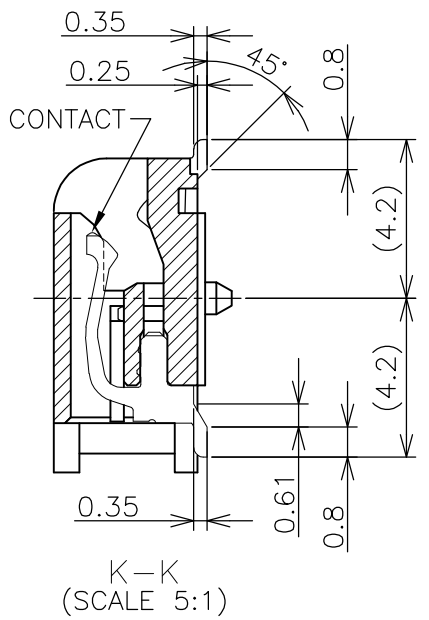
LOC	DIST	REVISIONS			
P	LTR	DESCRIPTION	DATE	DWN	APVD
J					
	G2	REVISED PER ECO-11-005033	28MAR11	RK	HMR



HOW TO MATE AND UNMATE
 MATE: ① → ④
 UNMATE: ⑤ → ⑦



- (APPLIED TO SHEET 1-2)
- MATERIAL ; HOUSING: HIGH TEMPERATURE THERMO PLASTIC UL94V-0
 CONTACT: COPPER ARROY
 LOCK LEVER STAINLESS STEEL
 SOLDER PEG: COPPER ARROY
 - FINISH ; CONTACT AREA: GOLD FLASH ON 0.0013MIN ALL OVER NICKEL.
 SOLDERING AREA: GOLD FLASH PLT.
 SOLDER PEG: TIN PLATING.
- ⚠ MECHANICAL KEY POSITION OF CONNECTOR SEE TABLE.
 - ⚠ TOLERANCES NON-CUMULATIVE.
 - ⚠ NOT TO SCALE.
 - 6. [] INSIDE MUST BE RESIST COAT EXCEPT SOLDER PATTERN.
 - 7. IF THE MODULE DOESN'T INSERT AND LOCK IN THE LATCH SMOOTHLY, OPEN WIDE BOTH LATCHES BY MANUAL. AND THE MODULE MUST BE INSERTED AND LOCKED IN THE LATCH.

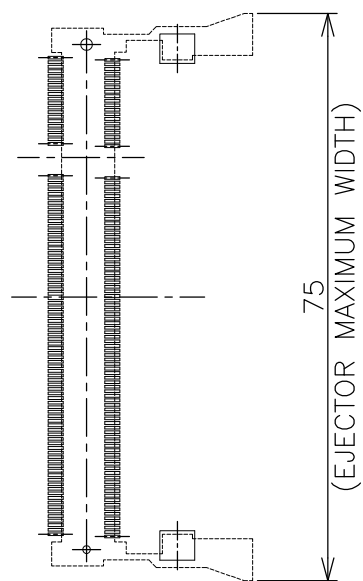


TYPE	TOOLING STATUS	REMARK	POWER SUPPLY (TYPE)	D5	D4	D3	POS	PART NO.
TYPE 2	AVAILABLE	BOSSLSS	1.8V (DDR2)	17.55	2.4	2.7	200	1-1565691-4
TYPE 2	AVAILABLE	—H—	1.8V (DDR2)	17.55	2.4	2.7	200	1565691-4
TYPE 1	AVAILABLE	BOSSLSS	2.5V (DDR1)	18.45	1.5	1.8	200	1-1565691-1
TYPE 1	AVAILABLE	—H—	2.5V (DDR1)	18.45	1.5	1.8	200	1565691-1

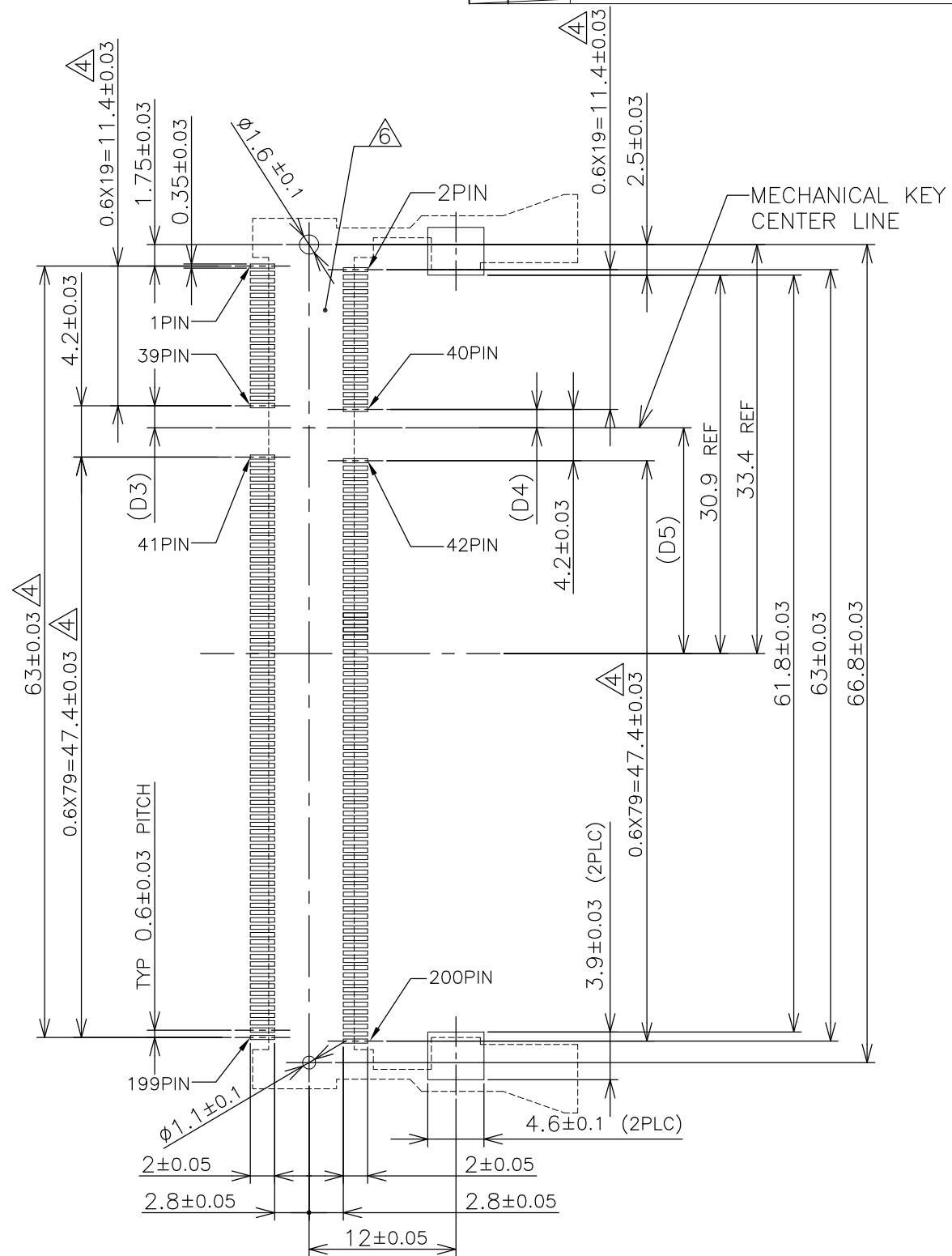
THIS DRAWING IS A CONTROLLED DOCUMENT.		DWN	14JUL10	TE Connectivity	NAME DDR1 & DDR2 SODIMM SOCKET 0.6mm PITCH 200POS LOW PROFILE STANDARD TYPE		
		CHK	14JUL10				
		APVD	14JUL10				
		PRODUCT SPEC	108-5701				
		APPLICATION SPEC					
DIMENSIONS: MM	TOLERANCES UNLESS OTHERWISE SPECIFIED:			SIZE	CAGE CODE	DRAWING NO	RESTRICTED TO
	0 PLC ± 0.3			WEIGHT	A300779	C-1565691	
	1 PLC ± 0.3			CUSTOMER DRAWING	SCALE	SHEET	REV
	2 PLC ± 0.3				2:1	1 OF 4	G2
	3 PLC ± 0.3						
	4 PLC ± 0.3						
	ANGLES ± 3'						
MATERIAL	FINISH						

LOC	DIST	REVISIONS					
J		P	LTR	DESCRIPTION	DATE	DWN	APVD
		-		SEE SHEET 1	-	-	-

REFERENCE P.C. BOARD PATTERN LAYOUT
(CONNECTOR MOUNTING SIDE)



REAL SIZE (SCALE 1:1)

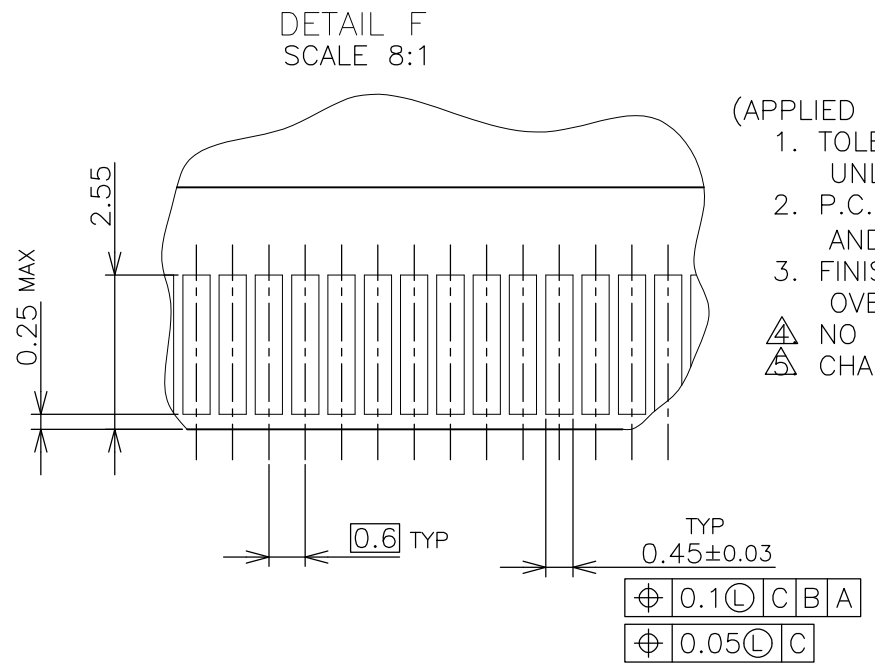
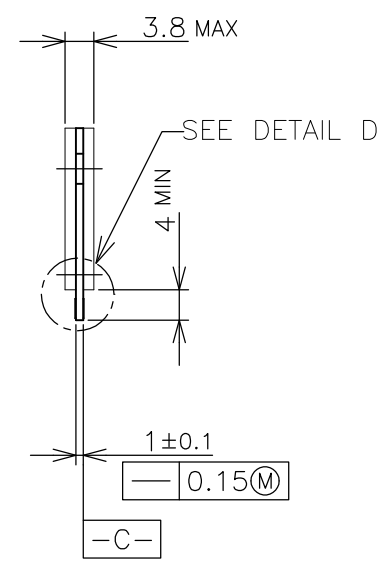
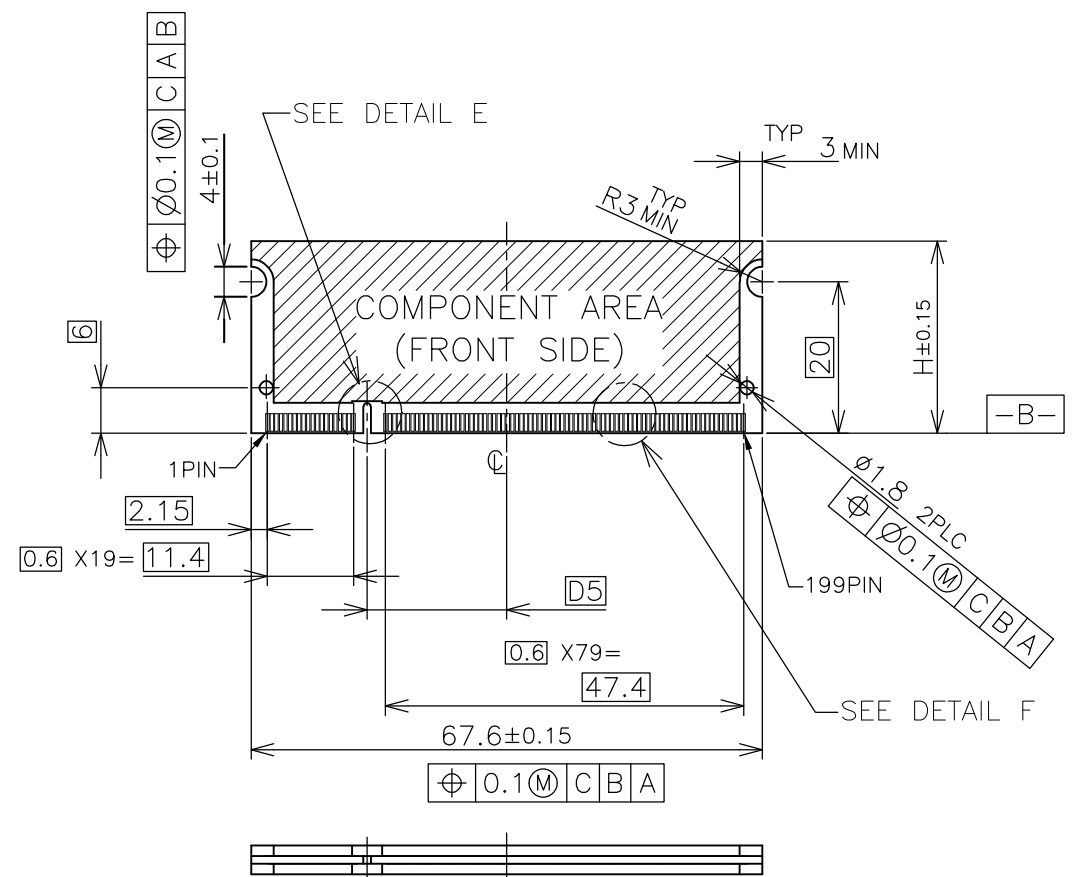


1.8V	17.55	2.4	2.7
2.5V	18.45	1.5	1.8
POWER SUPPLY	D5	D4	D3

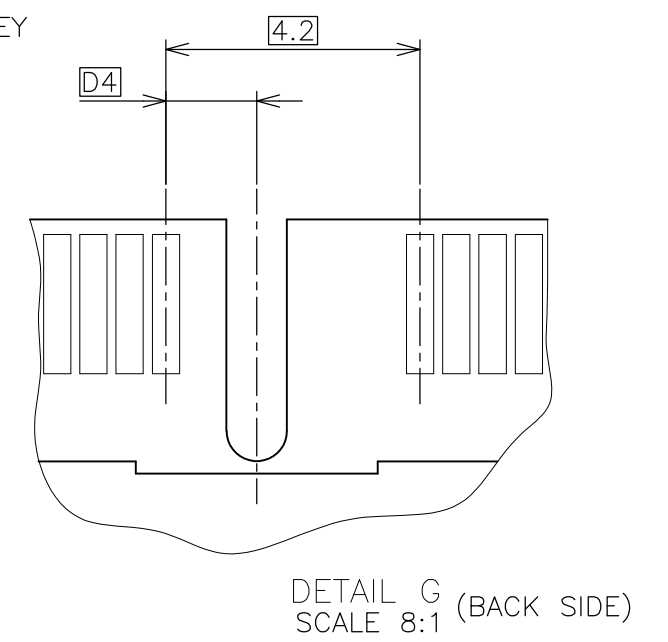
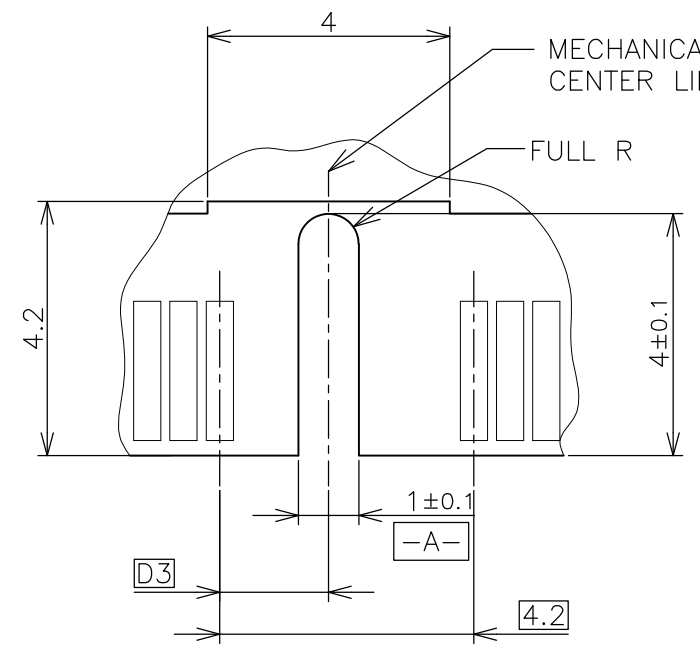
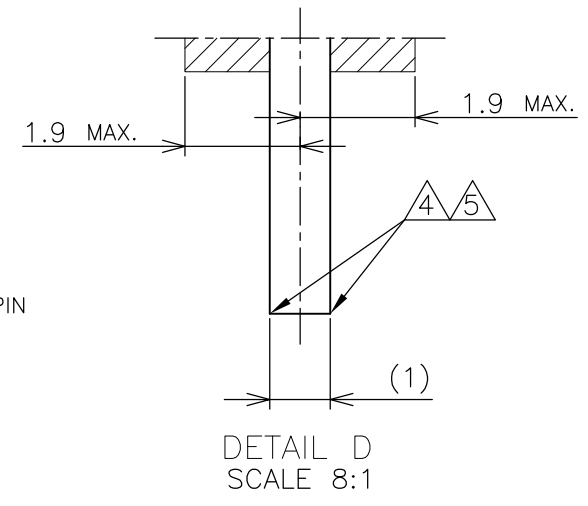
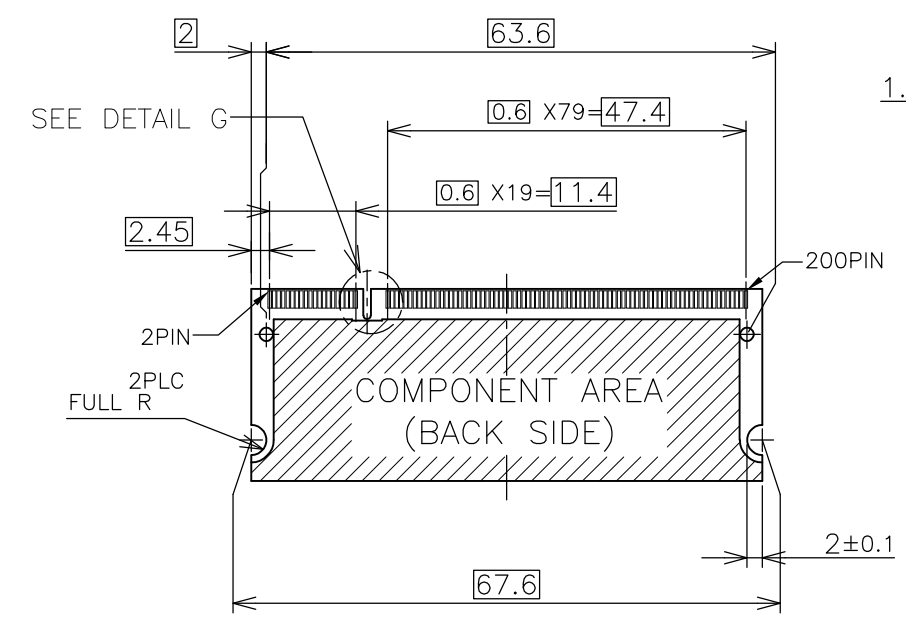
THIS DRAWING IS A CONTROLLED DOCUMENT.		DWN		STE TE Connectivity	
DIMENSIONS: MM		CHK			
TOLERANCES UNLESS OTHERWISE SPECIFIED:		APVD		NAME	
0 PLC ±		PRODUCT SPEC		DDR1 & DDR2 SODIMM SOCKET	
1 PLC ±		APPLICATION SPEC		0.6mm PITCH 200POS	
2 PLC ±		WEIGHT		LOW PROFILE STANDARD TYPE	
3 PLC ±		SIZE		A3	
4 PLC ±		CAGE CODE		00779	
ANGLES ±		DRAWING NO		C-1565691	
FINISH		RESTRICTED TO			
MATERIAL		CUSTOMER DRAWING		SCALE 2:1	
		SHEET 2 OF 4		REV G2	

THIS DRAWING IS UNPUBLISHED. RELEASED FOR PUBLICATION OCT. 2001. ALL RIGHTS RESERVED.

LOC	DIST	REVISIONS					
J		P	LTR	DESCRIPTION	DATE	DWN	APVD
		-		SEE SHEET 1	-	-	-



- (APPLIED TO SHEET 3)
1. TOLERANCES ON ALL DIMENSIONS ±0.15 UNLESS OTHERWISE SPECIFIED.
 2. P.C.BOARD THICKNESS APPLIES ACROSS TABS AND INCLUDES PLATING AND/OR METALIZATION.
 3. FINISH OF PAD : GOLD PLATING 0.00076 MIN. OVER Ni PLATING 0.002MIN.
- △ NO BURR
- △ CHAMFER 0.25 MAX x 45° IF EXIST.



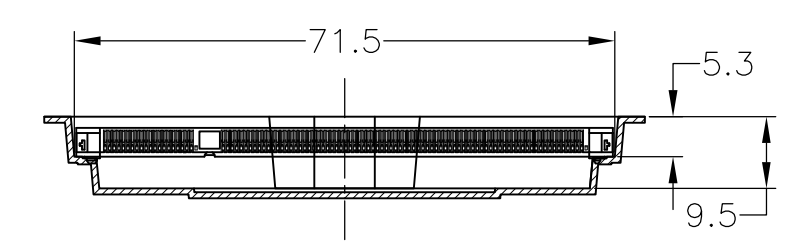
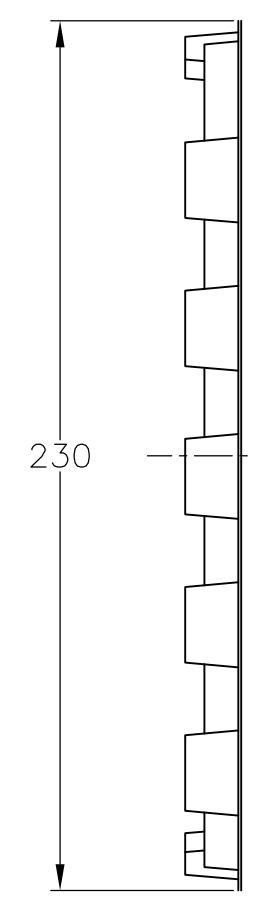
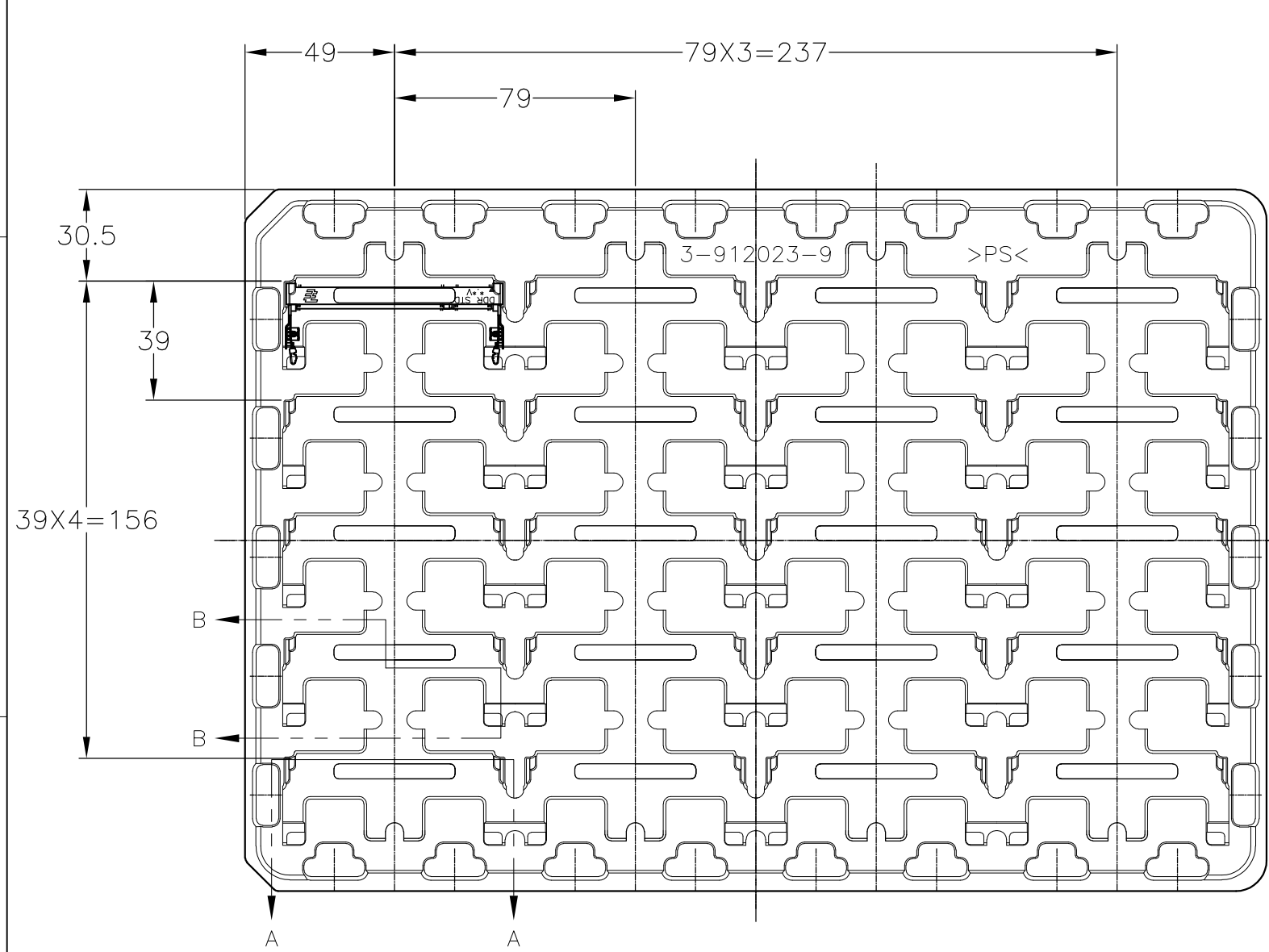
RECOMMENDED MATING P.C.B CONFIGURATION

31.75	1.8V	17.55	2.4	2.7
25.4	2.5V	18.45	1.5	1.8
H	POWER SUPPLY	D5	D4	D3

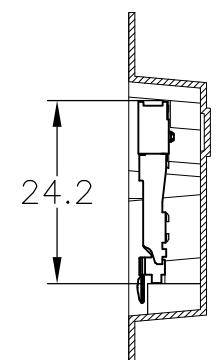
THIS DRAWING IS A CONTROLLED DOCUMENT.		DWN	TE Connectivity NAME DDR1 & DDR2 SODIMM SOCKET 0.6mm PITCH 200POS LOW PROFILE STANDARD TYPE			
DIMENSIONS: MM		CHK				
TOLERANCES UNLESS OTHERWISE SPECIFIED:		APVD				
0 PLC ± 1 PLC ± 2 PLC ± 3 PLC ± 4 PLC ± ANGLES ± FINISH ±		PRODUCT SPEC				
MATERIAL		APPLICATION SPEC	SIZE	CAGE CODE	DRAWING NO	RESTRICTED TO
		WEIGHT	A3	00779	C-1565691	-
CUSTOMER DRAWING			SCALE	SHEET	REV	
			2:1	3 OF 4	G2	

THIS DRAWING IS UNPUBLISHED. RELEASED FOR PUBLICATION OCT ,2001.
 © COPYRIGHT 2001 By - ALL RIGHTS RESERVED.

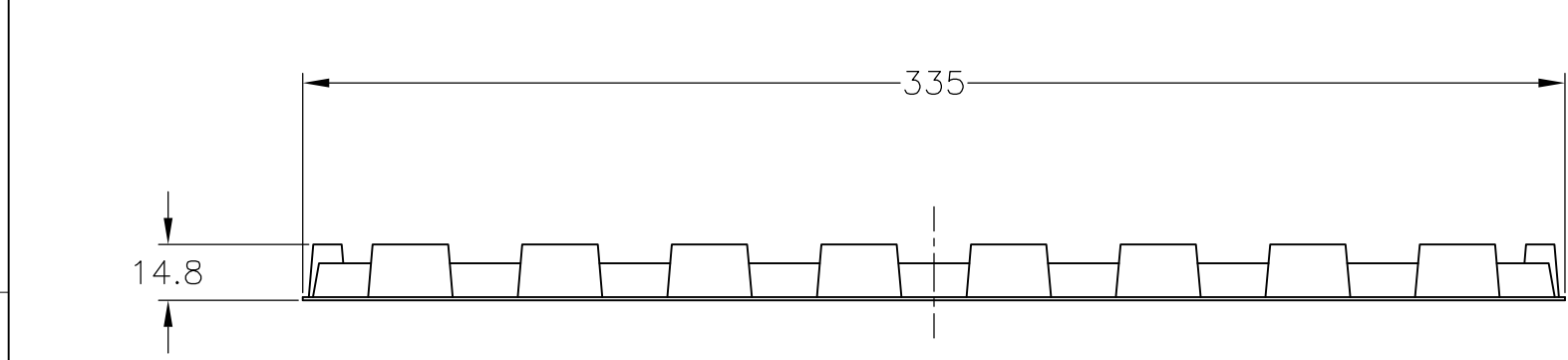
LOC		DIST		REVISIONS			
P	LTR	DESCRIPTION		DATE	DWN	APVD	
	-	SEE SHEET 1		-	-	-	



A-A
SCALE 2:1
(180DEG. ROTATE)



B-B
SCALE 2:1



1.8V (DDR2)	20EA/TRAY	1-1565691-4
1.8V (DDR2)	20EA/TRAY	1565691-4
2.5V (DDR1)	20EA/TRAY	1-1565691-1
2.5V (DDR1)	20EA/TRAY	1565691-1
POWER SUPPLY (TYPE)	QTY	P/N

- (APPLIED TO SHEET 4)
- 1 THE DIRECTION OF EACH CONNECTOR ON A TRAY IS REFERRED TO THIS DRAWING.
 - 2 GENERAL TOLERANCE: ±0.5

THIS DRAWING IS A CONTROLLED DOCUMENT.		DWN		TE Connectivity NAME DDR1 & DDR2 SODIMM SOCKET 0.6mm PITCH 200POS LOW PROFILE STANDARD TYPE	
DIMENSIONS: MM		CHK			
TOLERANCES UNLESS OTHERWISE SPECIFIED:		APVD			
0 PLC ± 0.3 1 PLC ± 0.3 2 PLC ± 0.3 3 PLC ± 0.3 4 PLC ± 0.3 ANGLES ± 3°		PRODUCT SPEC			
MATERIAL		FINISH		APPLICATION SPEC	
		WEIGHT		RESTRICTED TO	
		CUSTOMER DRAWING		SIZE A3 CAGE CODE 00779 DRAWING NO C-1565691	
		SCALE 1:2		SHEET 4 OF 4 REV G2	