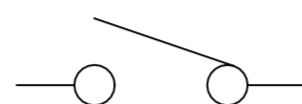
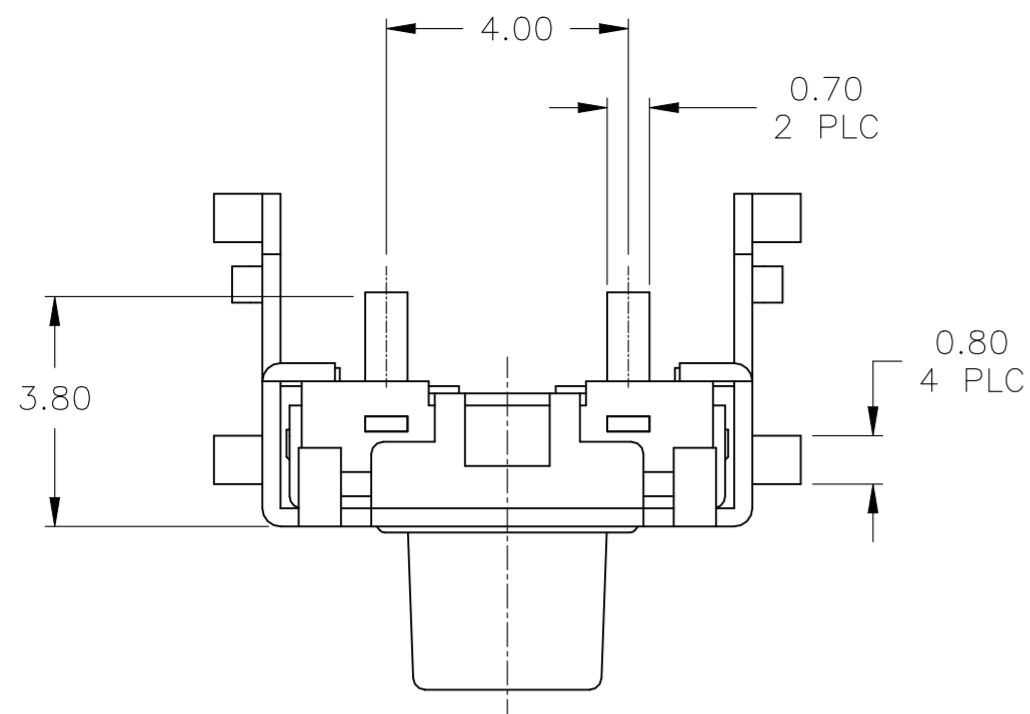


REVISIONS					
P	LTR	DESCRIPTION	DATE	DWN	APVD
	K1	ECR-22-139192	16MAY2022	GSK	DL



CIRCUIT DIAGRAM

SPECIFICATIONS

MATERIALS

CASE: THERMOPLASTIC, UL94V-0, BLACK  
 ACTUATOR: THERMOPLASTIC, UL94V-0, BLACK  
 COVER: NICKEL SILVER  
 SEAL: SILICON RUBBER, BLACK  
 CONTACT: STAINLESS STEEL, PLATING-SILVER  
 TERMINAL: BRASS, PLATING-SILVER/NICKEL  
 BRACKET: CARBON STEEL, PLATING-TIN/NICKEL

ELECTRICAL

MAX CONTACT RATING: 50MILLIAMPS@24V DC  
 MIN CONTACT RATING: 10MICROAMPS@1V DC  
 INITIAL CONTACT RESISTANCE: 100 MILLIOHMS MAX, PER EIA RS-448, METHOD 1  
 INSULATION RESISTANCE: 100 MEGOHMS MIN @ 100VDC PER EIA RS-186-13E  
 DIELECTRIC STRENGTH: 500 VAC 50/60 Hz FOR 1 MINUTE PER EIA RS-186-4E  
 CONTACT BOUNCE: 10 MILLISECOND MAX PER EIA-448-18, METHOD 15

MECHANICAL

ACTUATOR OPERATING FORCE: SEE TABLE  
 ACTUATOR TRAVEL: 0.35±0.2mm

DURABILITY

UP TO 1,000,000 CYCLES, AT RATED LOAD PER EIA-RS-448, METHOD 8  
 FINAL CONTACT RESISTANCE: 200 MILLIOHMS MAX  
 CONTACT BOUNCE: 20 MILLISECONDS MAX  
 ACTUATOR FORCE: WITHIN ±30% OF INITIAL VALUE

ENVIRONMENTAL

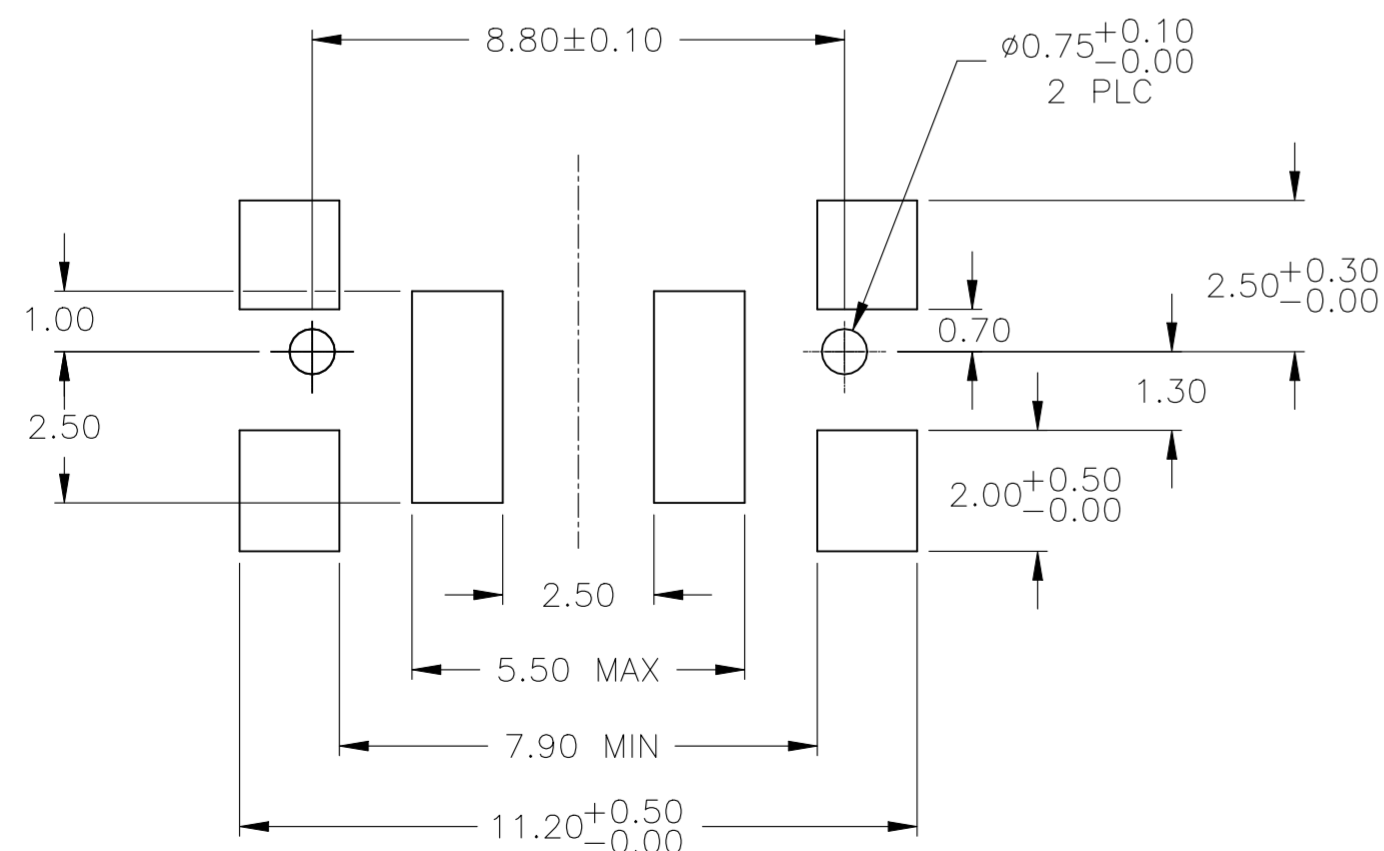
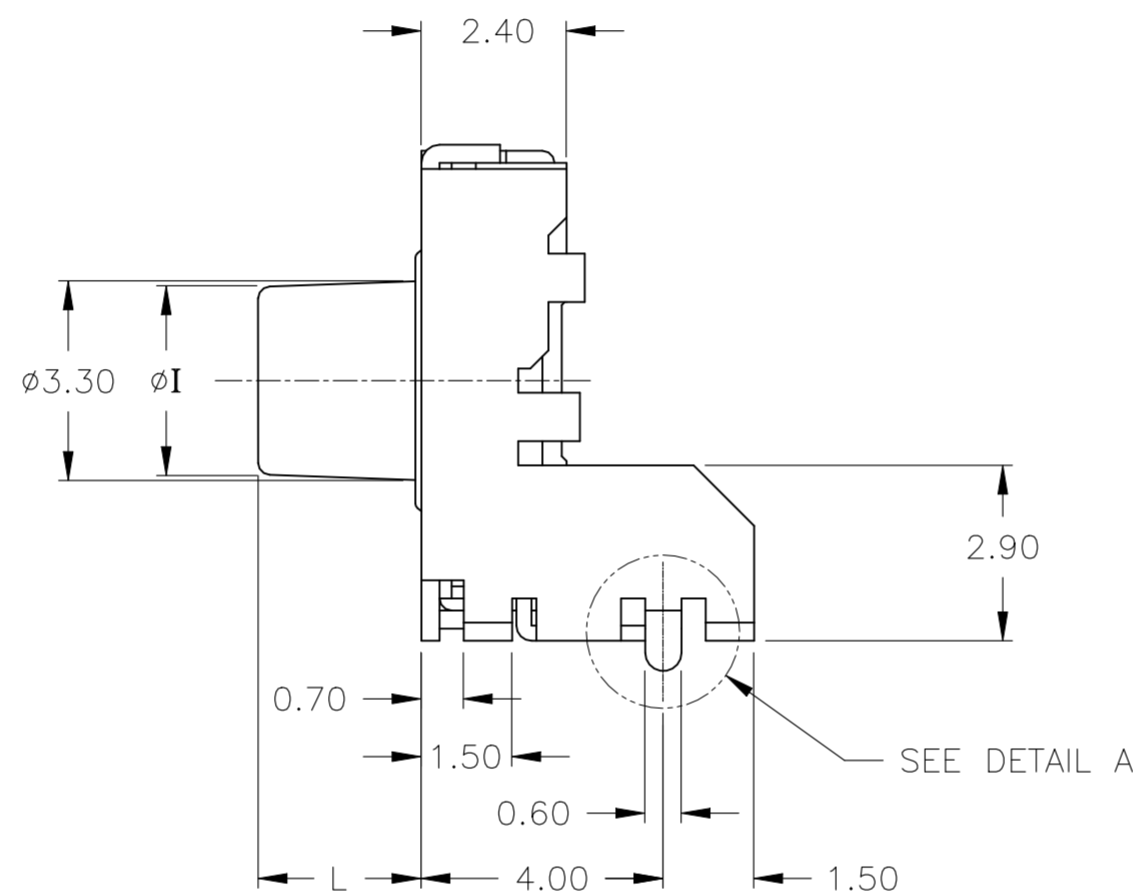
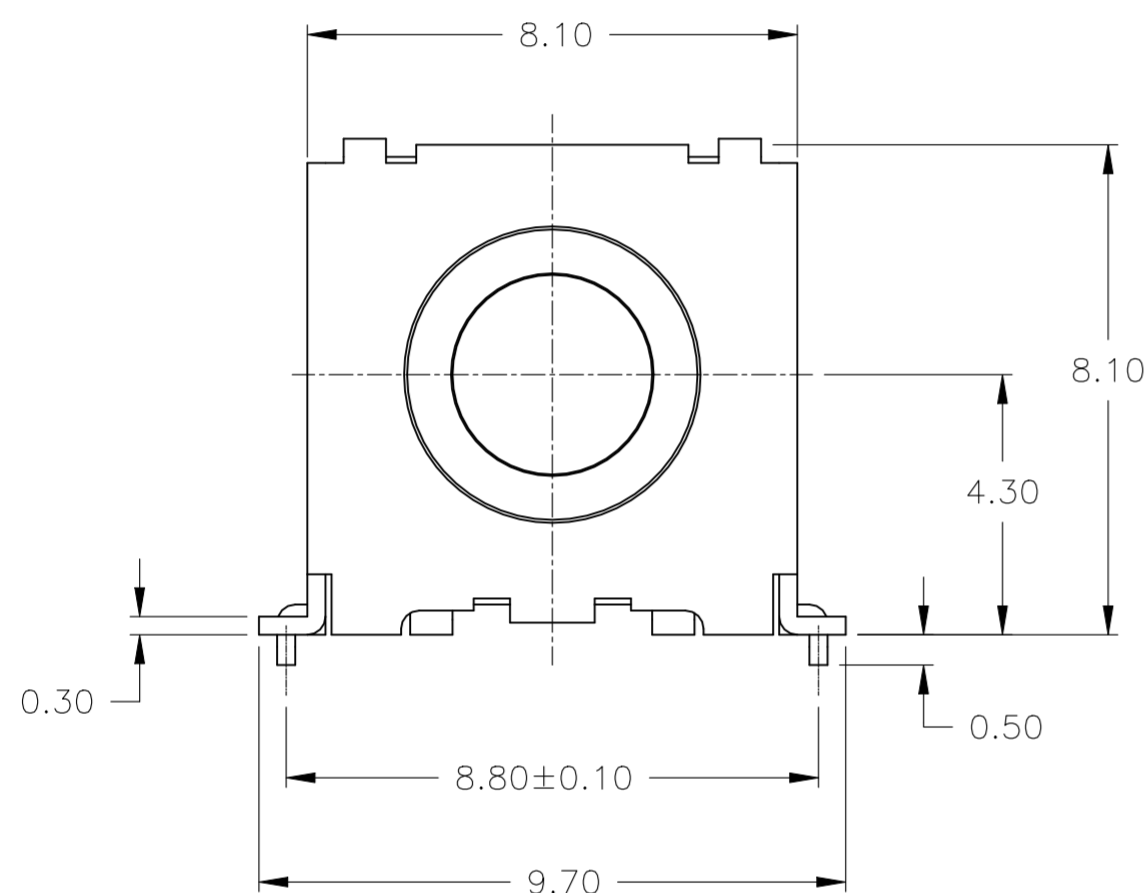
OPERATING TEMPERATURE RANGE: -35°C to +85°C  
 STORAGE TEMPERATURE RANGE: -35°C to +85°C  
 HUMIDITY: 96 HOURS PER EIA-186-1E  
 INSULATION RESISTANCE: 10 MEGOHMS MIN  
 DIELECTRIC STRENGTH: 250VAC  
 CONTACT RESISTANCE: 100 MILLIOHMS MAX  
 DRY HEAT TEST: 85°C FOR 96 HOURS PER IEC 60068-2-2, TEST B,  
 NO CHANGE IN INITIAL ELECTRICAL AND MECHANICAL CHARACTERISTICS  
 COLD TEST: -35°C FOR 96 HOURS PER IEC 60068-2-1, TEST A;  
 NO CHANGE IN INITIAL ELECTRICAL AND MECHANICAL CHARACTERISTICS  
 THERMAL CYCLING: 5 CYCLES, -35°C to +85°C  
 HUMIDITY-TEMPERATURE CYCLING, EIA 364-31B, METHOD III  
 CONTACT RESISTANCE 100 MILLIOHMS MAX  
 RESISTANCE TO SOLDERING HEAT PER 109-202, COND B

SOLDERABILITY: PER EIA RS-186-9E

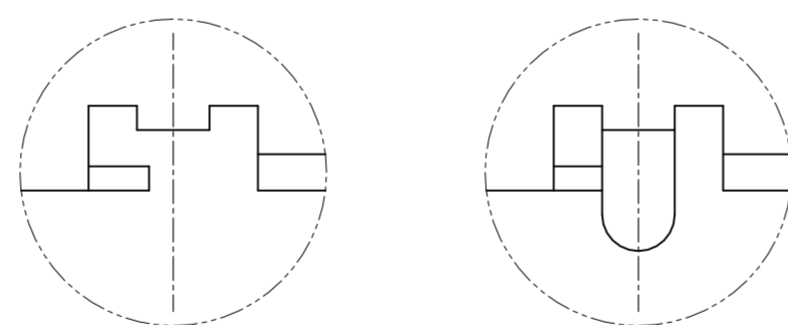
SEALED PER IP67

NOTES:

- ALL MATERIALS AND FINISHES SHALL COMPLY WITH EU DIRECTIVE 2002/95/EC OF 27JAN2003 (ROHS)



P.C.B MOUNTING SOLDER LAND DIMENSION



WITHOUT GUIDE PIN WITH GUIDE PIN

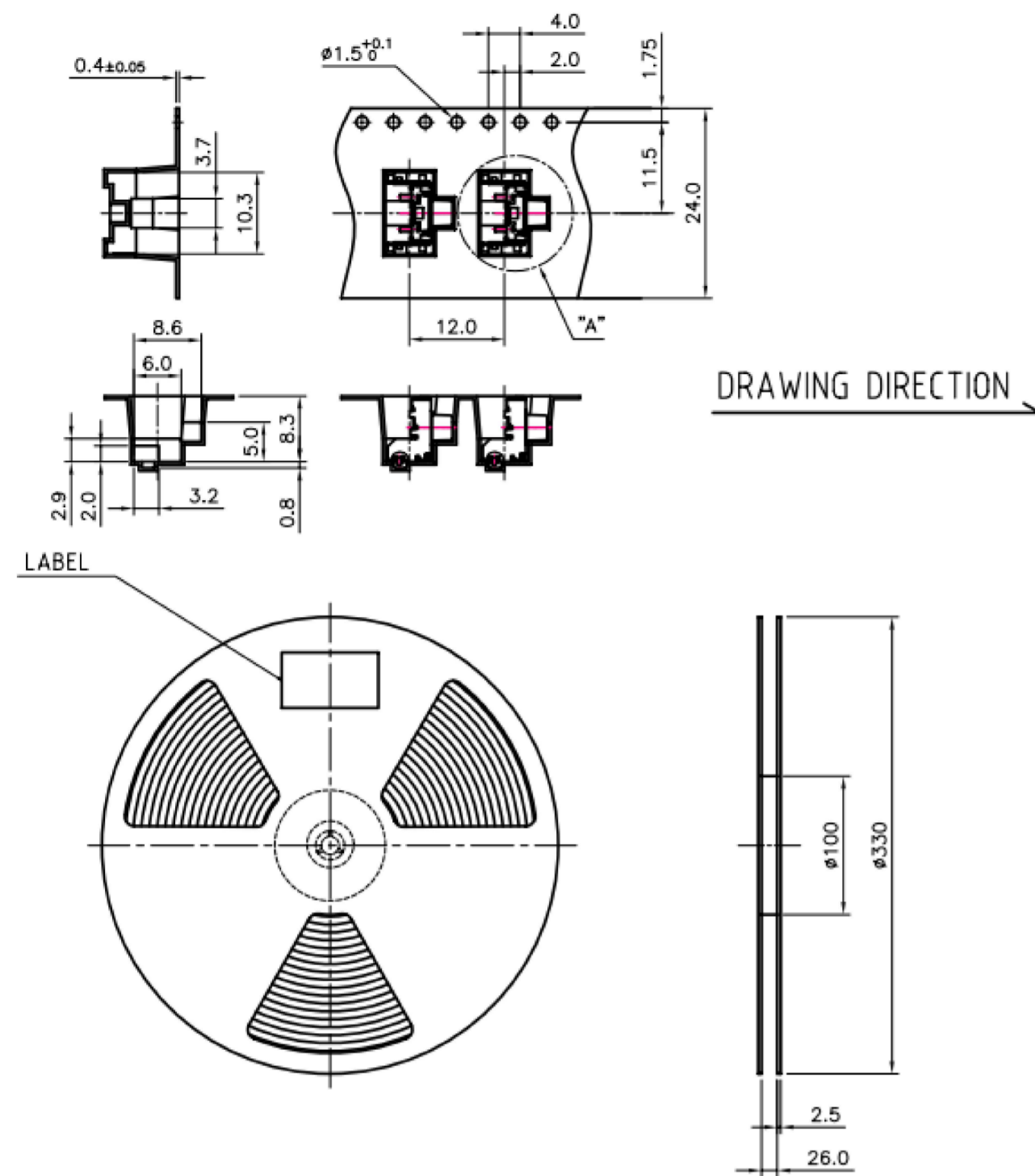
DETAIL A

	WITH GUIDE PIN	T/R	130±50gf	3.1	2.7	1571300-3
	WITH GUIDE PIN	BULK	130±50gf	3.1	2.7	1571300-2
OBSOLETE	WITHOUT GUIDE PIN	BULK	130±50gf	3.1	2.7	1571300-1
	DETAIL A	PACKAGING	OPERATING FORCE	I	L	TE PART NUMBER

THIS DRAWING IS A CONTROLLED DOCUMENT.		DWN R BROWN 18DEC02	TE Connectivity Ltd.			
DIMENSIONS: mm		CHK M SARVER 18DEC02				
TOLERANCES UNLESS OTHERWISE SPECIFIED:		APVD M SARVER 18DEC02	NAME SWITCH ASSEMBLY, TACTILE, RIGHT ANGLE, SMT, SEALED			
0 PLC ± -		PRODUCT SPEC	SIZE			
1 PLC ± -		APPLICATION SPEC	CAGE CODE			
2 PLC ± 0.30			DRAWING NO			
3 PLC ± -			RESTRICTED TO			
4 PLC ± -			A2 00779 C=1571300			
ANGLES ± -			SCALE 8:1 SHEET 1 of 2 REV K1			
FINISH		WEIGHT	CUSTOMER DRAWING			

REVISIONS					
P	LTR	DESCRIPTION	DATE	DWN	APVD
-	-	SEE SHEET 1	-	-	-

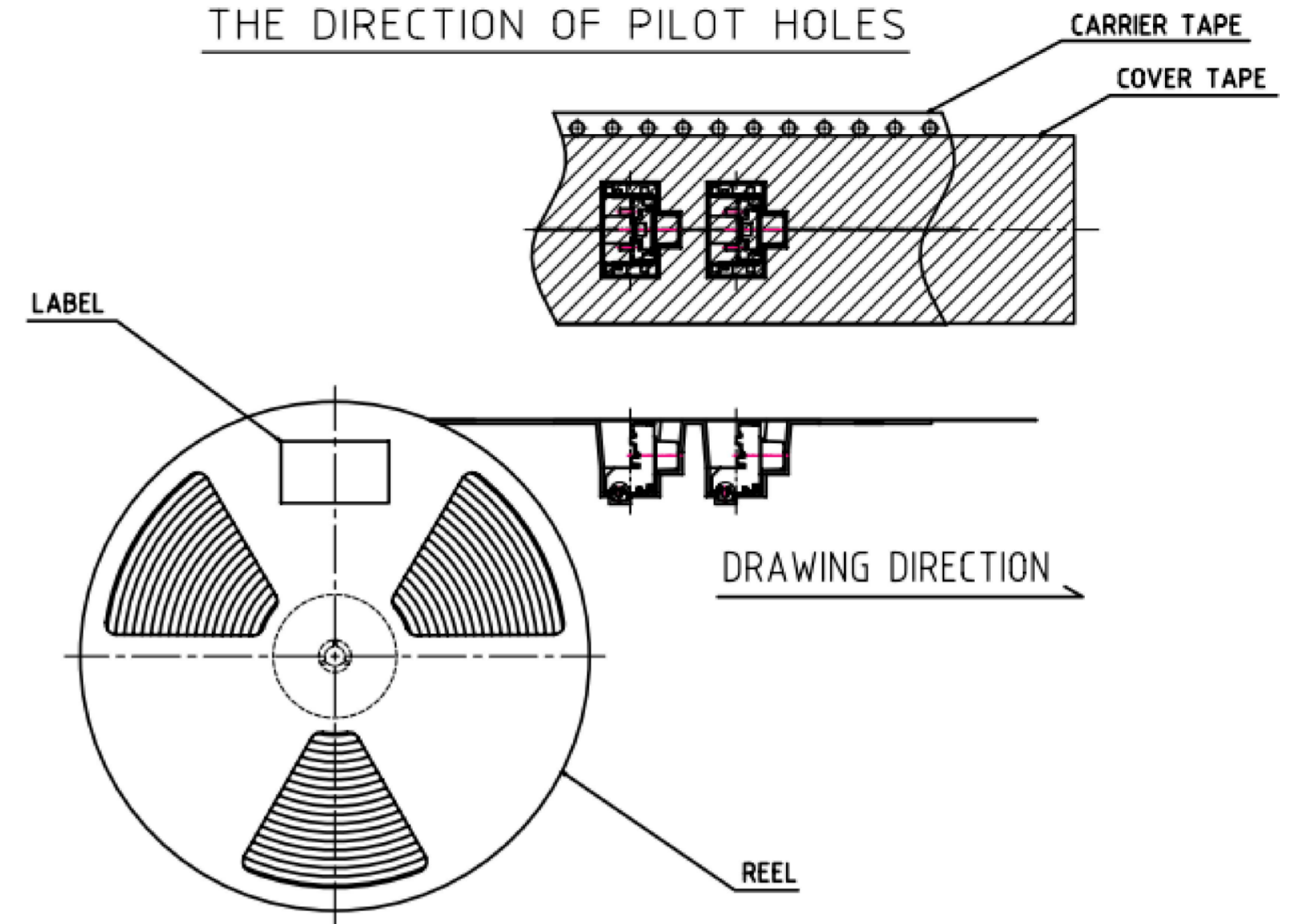
### THE DIMENSION OF CARRIER TAPE, COVER TAPE AND REEL



DRAWING DIRECTION

DETAIL OF "A"

### THE DIRECTION OF PILOT HOLES



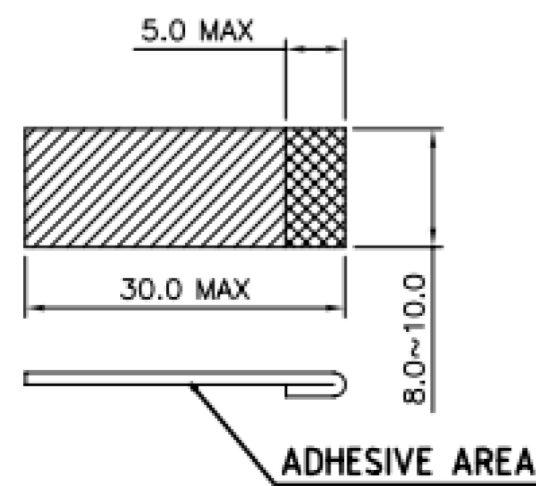
END TAPE

CARRIER TAPE

COVER TAPE

END TAPE

REEL



ADHESIVE AREA

THIS DRAWING IS A CONTROLLED DOCUMENT.		DWN R BROWN 18DEC02	TE Connectivity Ltd.	
DIMENSIONS: mm		CHK M SARVER 18DEC02		
TOLERANCES UNLESS OTHERWISE SPECIFIED:		APVD M SARVER 18DEC02	NAME SWITCH ASSEMBLY, TACTILE, RIGHT ANGLE, SMT, SEALED	
0 PLC ± -		PRODUCT SPEC	SIZE A2	CAGE CODE 00779
1 PLC ± -		APPLICATION SPEC	DRAWING NO C=1571300	RESTRICTED TO -
2 PLC ± 0.30			SCALE 8:1	SHEET 2 of 2
3 PLC ± -			REV K1	
4 PLC ± -				
ANGLES ± -				
FINISH		WEIGHT		
MATERIAL		CUSTOMER DRAWING		