

THIS DRAWING IS UNPUBLISHED.  
DIFFUSION RESTREINTE

RELEASED FOR PUBLICATION  
LIBRE A LA DIFFUSION

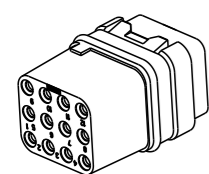
20

© COPYRIGHT 20 BY -

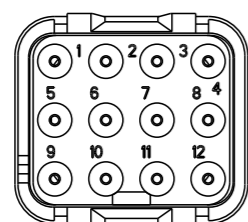
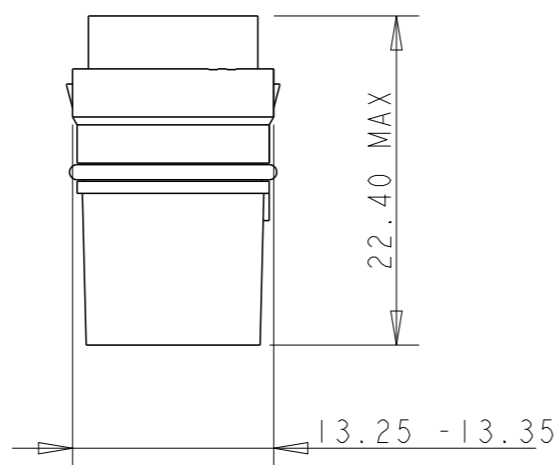
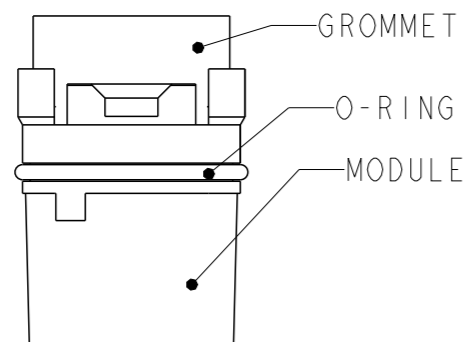
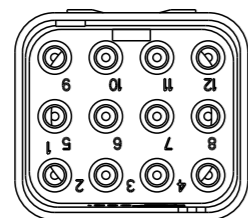
ALL RIGHTS RESERVED.  
TOUS DROITS RESERVES

REVISIONS

P	LTR REV	DESCRIPTION MODIFICATIONS	DATE	DWN DESS.	APVD APP.
	H	CLARIFICATION AND RELEASE	15SEP2013	JT	YP



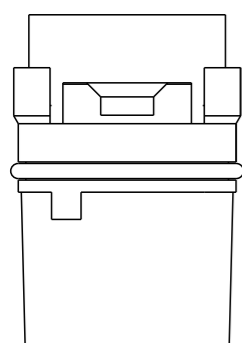
SCALE 1:1



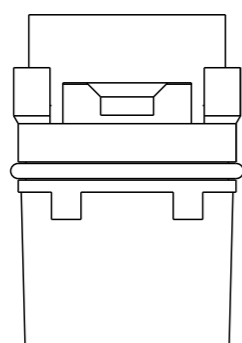
- MATERIALS:  
HOUSING: HIGH TEMPERATURE THERMOPLASTIC,  
GLASS FILLED, UL 94 V0, BLACK  
GROMMET AND O-RING: FLUOROSILICONE RUBBER.
- MARKINGS: CONTACT CAVITY ID, CODING, MANUFACTURER LOGO, DATE CODE

3 DELIVERED WITHOUT CONTACTS

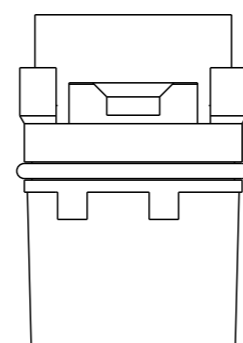
4 KIT CONTAINING ONE SEALED MODULE AND 12 SOCKET CONTACTS  
SIZE 20 PER EN3155-003



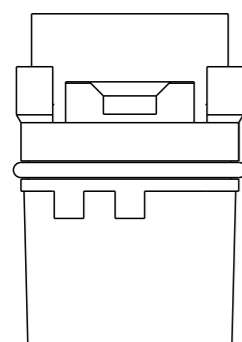
STANDARD CODING N



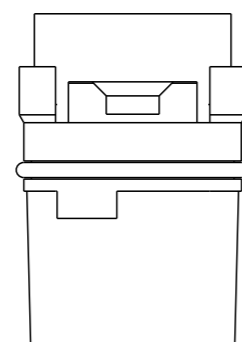
CODING A



CODING B



CODING C



CODING D

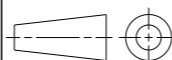
4	EN4165A12-202NF	N	KIT MODULE, EN 4165, 12-20, FEMALE	I-1577132-5
4	EN4165A12-202DF	D	KIT MODULE, EN 4165, 12-20, FEMALE	I-1577132-4
4	EN4165A12-202CF	C	KIT MODULE, EN 4165, 12-20, FEMALE	I-1577132-3
4	EN4165A12-202BF	B	KIT MODULE, EN 4165, 12-20, FEMALE	I-1577132-2
4	EN4165A12-202AF	A	KIT MODULE, EN 4165, 12-20, FEMALE	I-1577132-1
3	EN4165A12-202NB	N	MODULE, EN 4165, 12-20, FEMALE	1577132-5
3	EN4165A12-202DB	D	MODULE, EN 4165, 12-20, FEMALE	1577132-4
3	EN4165A12-202CB	C	MODULE, EN 4165, 12-20, FEMALE	1577132-3
3	EN4165A12-202BB	B	MODULE, EN 4165, 12-20, FEMALE	1577132-2
3	EN4165A12-202AB	A	MODULE, EN 4165, 12-20, FEMALE	1577132-1

NOTE	DESIGNATION PER EN 4165	CODING	DESCRIPTION	PART NUMBER
------	-------------------------	--------	-------------	-------------

THIS DRAWING IS A CONTROLLED DOCUMENT.  
CE PLAN EST UN DOCUMENT CONTROLE PAR TYCO ELECTRONICS. IL EST SUSCEPTIBLE D'ETRE REVISE. CONTACTER LE SERVICE TECHNIQUE DE TYCO ELECTRONICS POUR OBTENIR LA DERNIERE REVISION.

DIMENSIONS:

mm



MATERIAL /MATIERE  
NOTE 1

TOLERANCES UNLESS OTHERWISE SPECIFIED:  
TOLERANCES NON SPECIFIEES (SUIV NB DE DECIMALES):  
0 PLC/DEC: ±0.13  
1 PLC/DEC: ±0.13  
2 PLC/DEC: ±0.13  
3 PLC/DEC: ±  
4 PLC/DEC: ±  
ANGLES ±1

FINISH/FINITION  
-

DWN/DESSINE 16SEP2004

Thierry CORRIOU

CHK/VERIFIE 16SEP2004

Yves PETRONIN

APVD/APPROUVE 16SEP2004

Miguel FURIO

PRODUCT SPEC

SPEC. PRODUIT 108-15384

APPLICATION SPEC

SPEC. APPLICATION 114-15211

WEIGHT MASSE APPROX. 3.7g/3

NAME TITRE

MODULE, EN4165, 12-20, FEMALE, SEALED

SIZE FORMAT

A3

CAGE CODE

-

DRAWING NO No PLAN

©=1577132

RESTRICTED TO RESERVE A

-

Customer Drawing /PLAN CLIENT

UNIQUEMENT POUR REFERENCE

SCALE ECHELLE 2:1

SHEET FEUILLE

OF DE 1

REV H