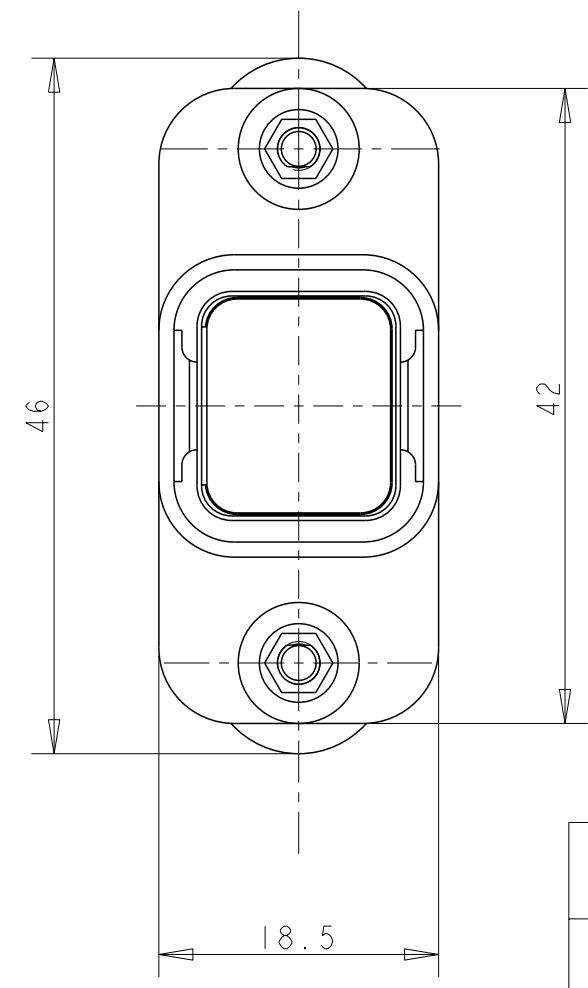
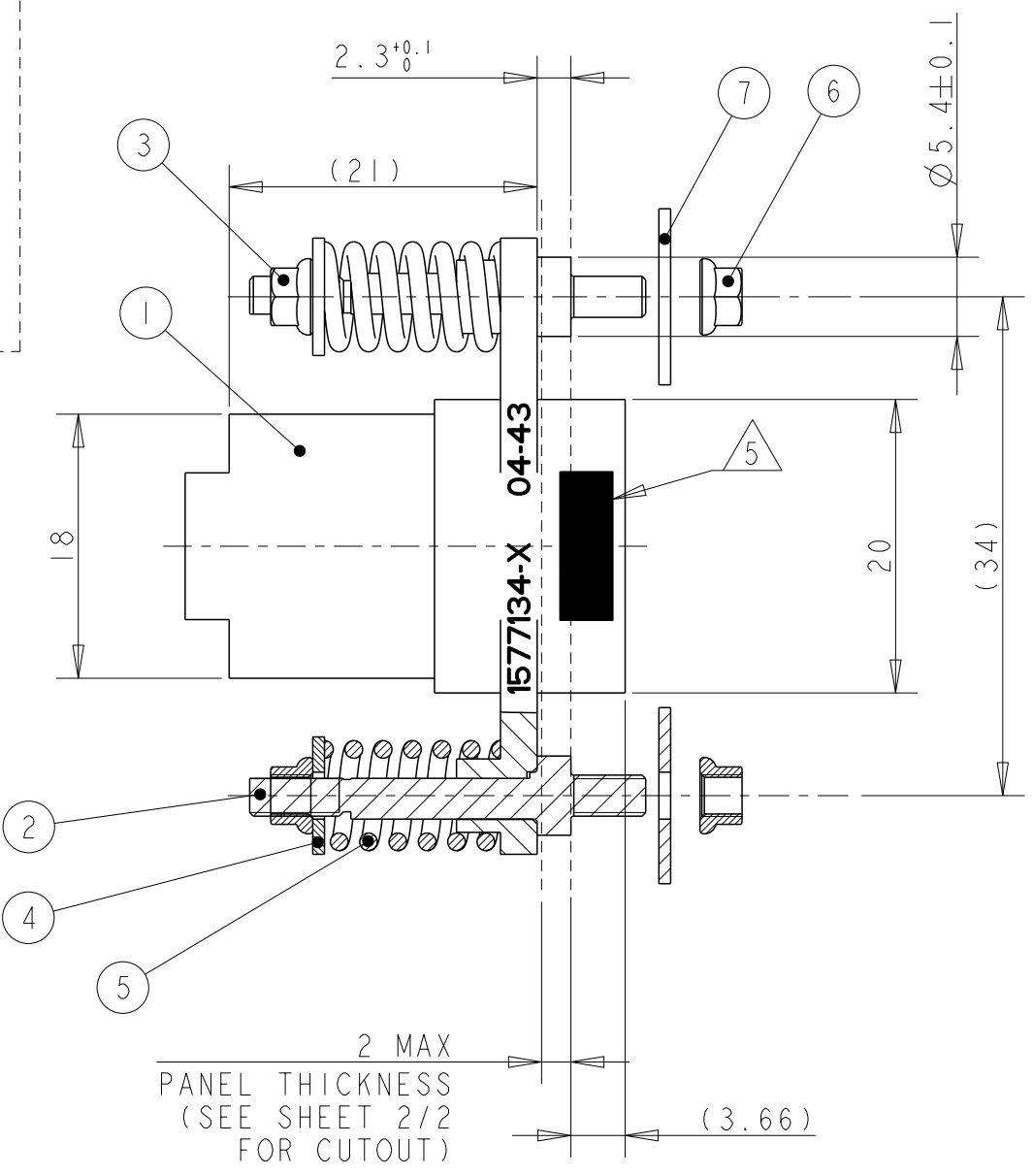
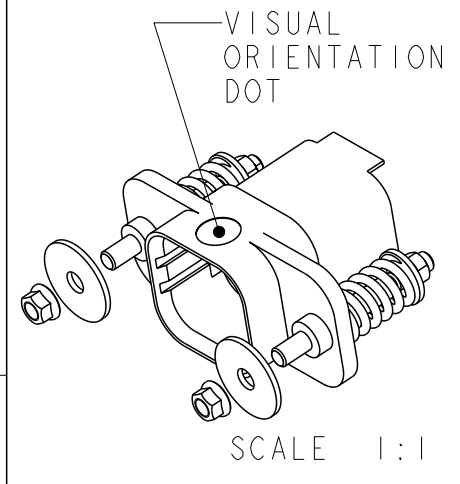
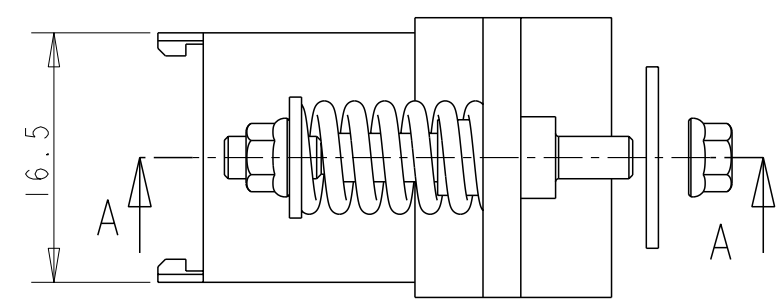


THIS DRAWING IS UNPUBLISHED.  
 DIFFUSION RESTREINTE  
 © COPYRIGHT 20 BY TYCO ELECTRONICS CORPORATION. ALL RIGHTS RESERVED.  
 TOUS DROITS RESERVES

LOC	DIST	REVISIONS					
F	00	P	LTR REV	DESCRIPTION MODIFICATIONS	DATE	DWN DESS.	APVD APP.
			G	PRODUCT SPEC WAS 108-15384	11SEP2009	TC	YP
			H	CLARIFICATION	05JUN2012	JT	YP
			J	REMOVED REF OLIVE SHELL COLOR	12JAN2015	JT	YP
			K	CORRECTED MISTAKEN TITLE	28JAN2015	JT	YP



D	1577134-4
C	1577134-3
B	1577134-2
A	1577134-1
CODING POSITION PER EN4165	PART NUMBER



NOTES ON SHEET 2/2

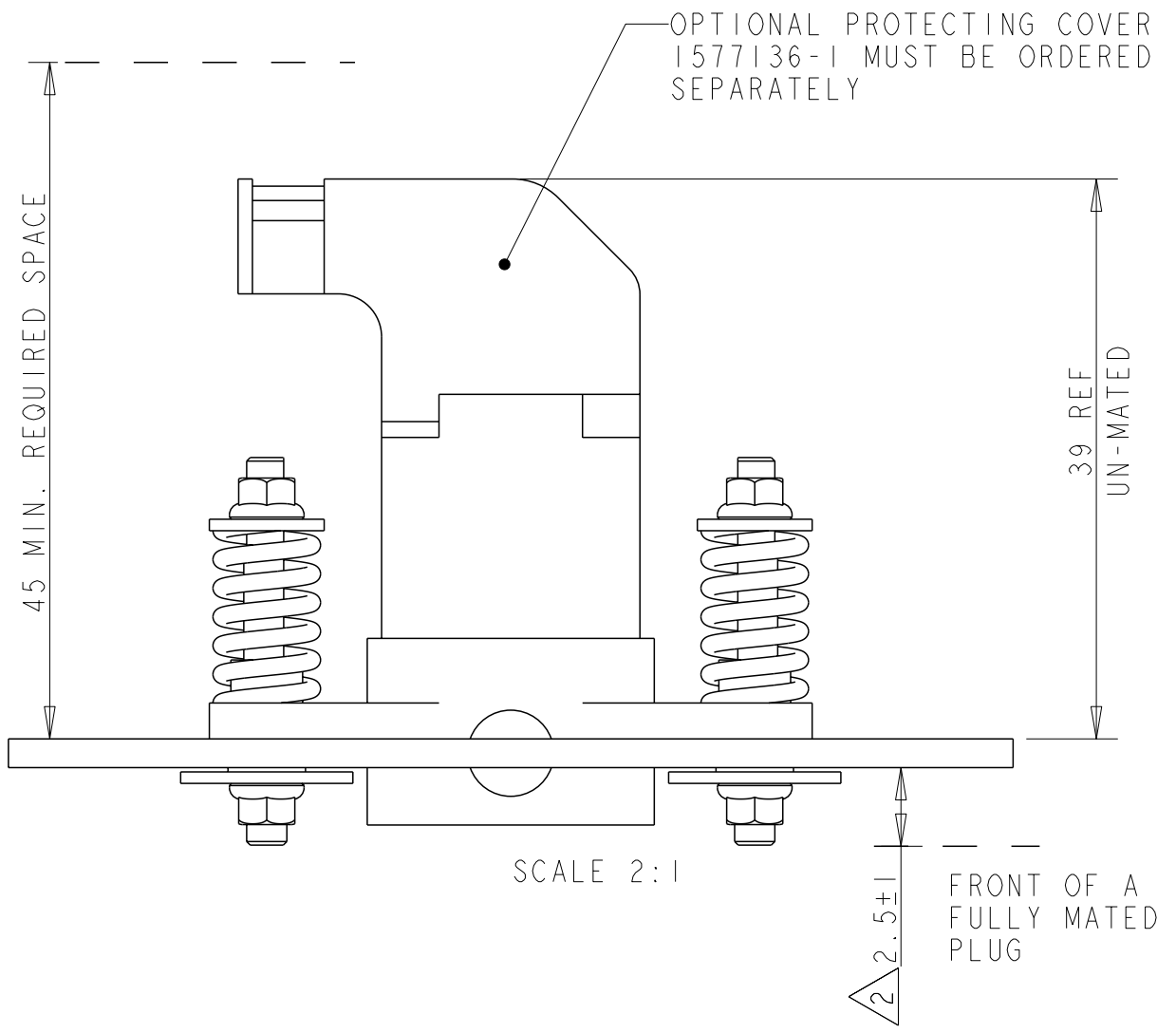
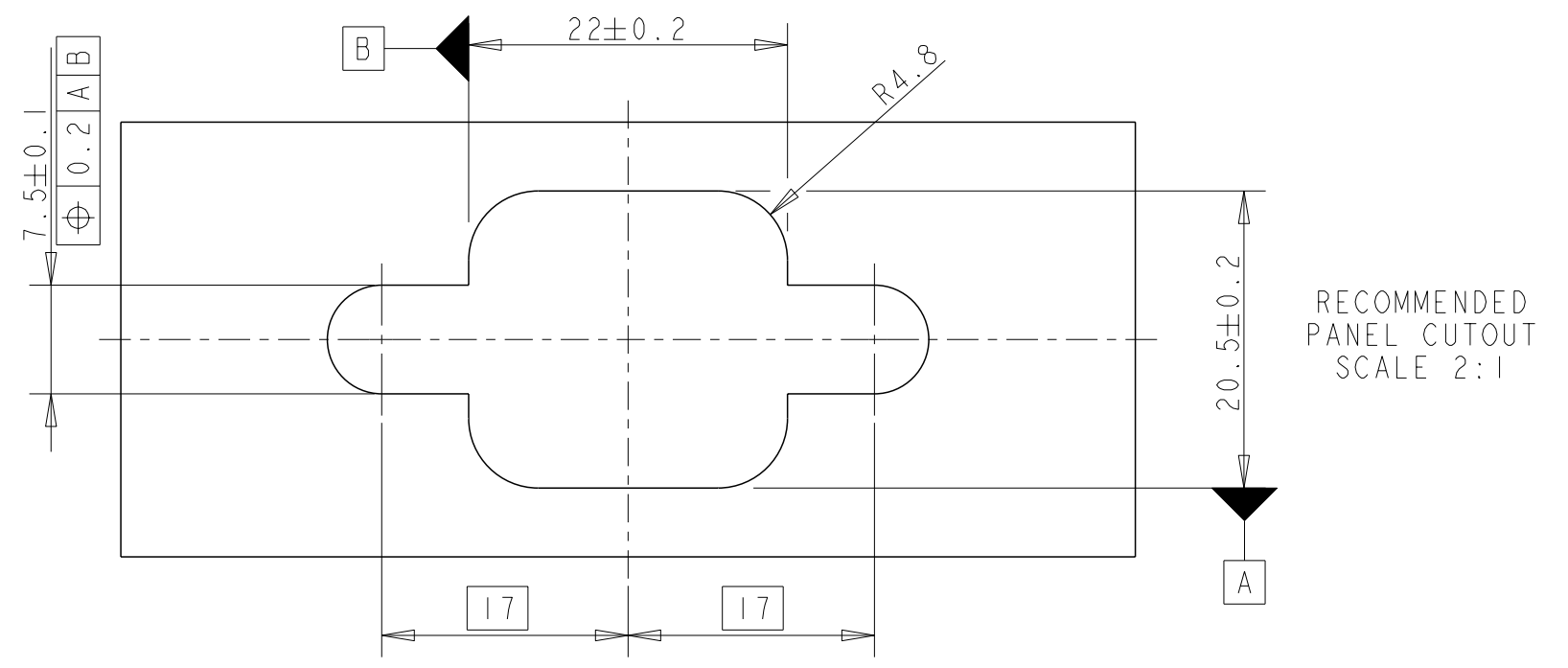
THIS DRAWING IS A CONTROLLED DOCUMENT FOR TYCO ELECTRONICS CORPORATION IT IS SUBJECT TO CHANGE AND THE CONTROLLING ENGINEERING ORGANIZATION SHOULD BE CONTACTED FOR THE LATEST REVISION. CE PLAN EST UN DOCUMENT CONTROLE PAR TYCO ELECTRONICS. IL EST SUSCEPTIBLE D'ETRE REVISE. CONTACTER LE SERVICE TECHNIQUE DE TYCO ELECTRONICS POUR OBTENIR LA DERNIERE REVISION.		DWN/DESSINE 16SEP2004 Thierry CORRIOU CHK/VERIFIE 16SEP2004 Yves PETRONIN APVD/APPROUVE 16SEP2004 Miguel FURIO		NAME TITRE SHELL ASSY, PLUG, EN4165, FLOAT, 1 CAVITY	
DIMENSIONS: mm		TOLERANCES UNLESS OTHERWISE SPECIFIED: (SUIV NB DE DECIMALES): 0 PLC/DEC: ±0.3 1 PLC/DEC: ±0.3 2 PLC/DEC: ±0.3 3 PLC/DEC: ± 4 PLC/DEC: ±- ANGLES ±1		PRODUCT SPEC SPEC. PRODUIT 108-15349 APPLICATION SPEC SPEC. APPLICATION 114-15121	
MATERIAL /MATIERE SEE TABLE ON SHEET 2/2		FINISH /FINITION SEE TABLE ON SHEET 2/2		WEIGHT MASSE APPROX. 18,6 g SIZE FORMAT A3 CAGE CODE 00779 DRAWING NO No PLAN C=1577134	
Customer Drawing /PLAN CLIENT			UNIQUEMENT POUR REFERENCE		RESTRICTED TO RESERVE A -
SCALE ECHELLE 1:1			SHEET FEUILLE 1 OF DE 2		REV K

THIS DRAWING IS UNPUBLISHED.  
 DIFFUSION RESTREINTE  
 © COPYRIGHT 20 BY TYCO ELECTRONICS CORPORATION. ALL RIGHTS RESERVED.  
 TOUS DROITS RESERVES

RELEASED FOR PUBLICATION  
 LIBRE A LA DIFFUSION  
 20

LOC	DIST	REVISIONS			
P	LTR REV	DESCRIPTION MODIFICATIONS	DATE	DWN DESS.	APVD APP.
F	00	-	SEE SHEET 1	-	-

FINISH	MATERIAL	QTY	DESIGNATION	ITEM
PASSIVATED	STAINLESS STEEL	2	FLAT WASHER, LARGE	7
SILVER PLATE	STAINLESS STEEL	2	SELF LOCKING NUT 4/40	6
PASSIVATED	STAINLESS STEEL	2	COMPRESSION SPRING	5
PASSIVATED	STAINLESS STEEL	2	FLAT WASHER	4
SILVER PLATE	STAINLESS STEEL	2	SELF LOCKING NUT 4/40	3
PASSIVATED	STAINLESS STEEL	2	SPRING GUIDE	2
ANODIC OXIDATION HARD,	ALUMINUM ALLOY	1	SHELL	1



- MATES WITH SHELL PLUG 1577135-X SERIES LOCKING SYSTEM TO BE PROVIDED BY THE CUSTOMER
- NOMINAL PRELOAD FORCE: 51N  
NOMINAL FULLY MATED FORCE: 97N
- CONNECTOR FLOAT IN PANEL  
- HORIZONTAL DIRECTION: ±1mm  
- VERTICAL DIRECTION: ±1mm
- ITEMS 6 & 7 ARE SUPPLIED UN-ASSEMBLED
- MARKING PART NUMBER, DATE-CODE AND MANUFACTURER LOGO AS SHOWN ON SHEET 1/2
- RECOMMENDED TIGHTENING TORQUE FOR ITEM 6: 0,8mN

<small>THIS DRAWING IS A CONTROLLED DOCUMENT FOR TYCO ELECTRONICS CORPORATION IT IS SUBJECT TO CHANGE AND THE CONTROLLING ENGINEERING ORGANIZATION SHOULD BE CONTACTED FOR THE LATEST REVISION.          CE PLAN EST UN DOCUMENT CONTROLE PAR TYCO ELECTRONICS. IL EST SUSCEPTIBLE D'ETRE REVISE. CONTACTER LE SERVICE TECHNIQUE DE TYCO ELECTRONICS POUR OBTENIR LA DERNIERE REVISION.</small>		DWN/DESSINE 16SEP2004 Thierry CORRIOU CHK/VERIFIE 16SEP2004 Yves PETRONIN APVD/APPROUVE 16SEP2004 Miguel FURIO		<b>Tyco Electronics</b> TYCO ELECTRONICS France SAS BP 30039, 95301 CERGY-PONTOISE Cedex	
DIMENSIONS: mm		TOLERANCES UNLESS OTHERWISE SPECIFIED: TOLERANCES NON SPECIFIEES (SUIV NB DE DECIMALES): 0 PLC/DEC: ±0.3 1 PLC/DEC: ±0.3 2 PLC/DEC: ±0.3 3 PLC/DEC: ± 4 PLC/DEC: ±- ANGLES ±1		NAME TITRE SHELL ASSY, PLUG, EN4165, FLOAT, 1 CAVITY	
MATERIAL /MATIERE		FINISH /FINITION		PRODUCT SPEC. PRODUIT 108-15349 APPLICATION SPEC. APPLICATION 114-15121 WEIGHT MASSE APPROX. 18,6 g	
		SIZE FORMAT A3 CAGE CODE 00779 DRAWING NO No PLAN C=1577134		RESTRICTED TO RESERVE A -	
Customer Drawing /PLAN CLIENT				UNIQUEMENT POUR REFERENCE SCALE ECHELLE 1:1 SHEET FEUILLE 2 OF DE 2 REV K	