

4

3

2

1

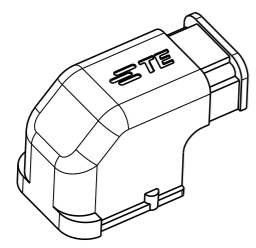
THIS DRAWING IS UNPUBLISHED.
 DIFFUSION RESTREINTE

RELEASED FOR PUBLICATION
 LIBRE A LA DIFFUSION

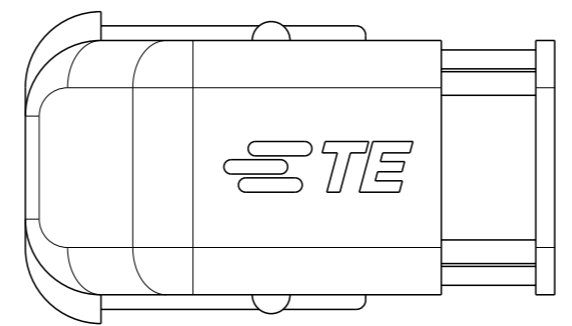
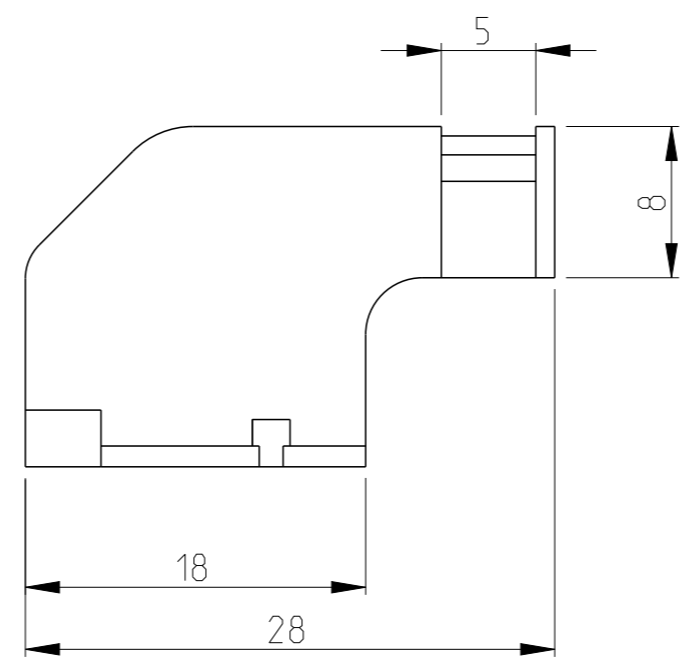
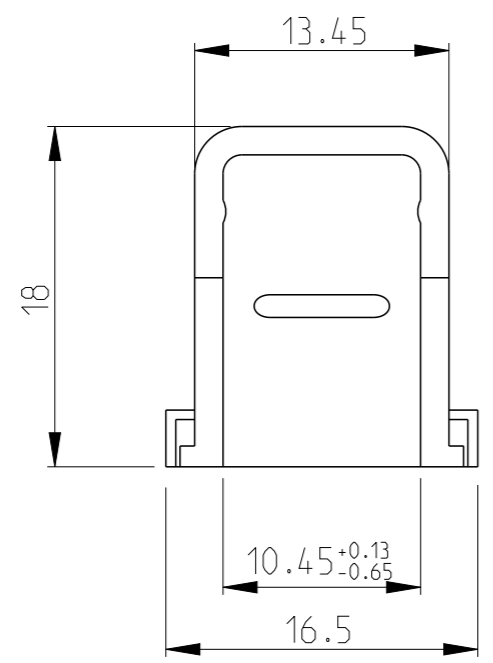
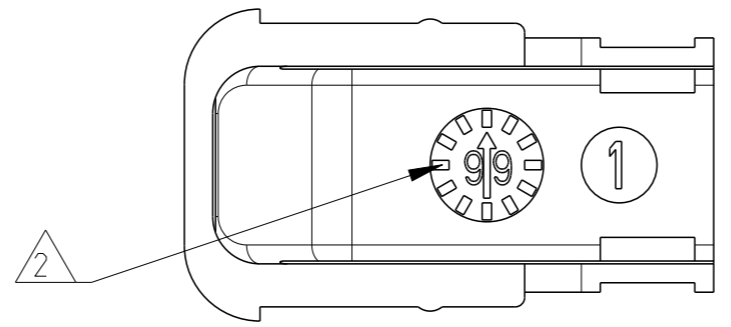
20

© COPYRIGHT 20 BY TYCO ELECTRONICS CORPORATION. ALL RIGHTS RESERVED.
 TOUS DROITS RESERVES

| LOC | DIST | REVISIONS | | | | |
|-----|---------|---------------------------|--|-----------|-----------|--|
| P | LTR REV | DESCRIPTION MODIFICATIONS | DATE | DWN DESS. | APVD APP. | |
| F | 00 | A | UPDATE | 02FEB2005 | TC YP | |
| | | B | UPDATE AND CLARIFICATION | 26JUL2005 | TC YP | |
| | | C | CHANGE LOGO AND TOLERANCE ON DIM 10.45 | 26JUL2013 | JT YP | |



SCALE 1:1



1 MATERIAL: HIGH TEMPERATURE 20% GF PEI, BLACK.
 2 DATE CODE AND MOLD CAVITY
 3 FITS CONNECTOR SERIES 15777134-X

1577136-1
 PART NUMBER

| | | | | | | | |
|--|--|--|--|--|--|--|--|
| THIS DRAWING IS A CONTROLLED DOCUMENT FOR TYCO ELECTRONICS CORPORATION IT IS SUBJECT TO CHANGE AND THE CONTROLLING ENGINEERING ORGANIZATION SHOULD BE CONTACTED FOR THE LATEST REVISION. CE PLAN EST UN DOCUMENT CONTROLE PAR TYCO ELECTRONICS. IL EST SUSCEPTIBLE D'ETRE REVISE. CONTACTER LE SERVICE TECHNIQUE DE TYCO ELECTRONICS POUR OBTENIR LA DERNIERE REVISION. | | DWN/DESSINE 16SEP2004 Thierry CORRIOU CHK/VERIFIE 16SEP2004 Yves PETRONIN APVD/APPROUVE 16SEP2004 Miguel FURIO | | tyco Electronics | | TYCO ELECTRONICS France SAS BP 30039, 95301 CERGY-PONTOISE Cedex | |
| DIMENSIONS: mm | | TOLERANCES UNLESS OTHERWISE SPECIFIED: TOLERANCES NON SPECIFIEES: (SUIV NB DE DECIMALES): 0 PLC/DEC: ±0.3 1 PLC/DEC: ±0.3 2 PLC/DEC: ±0.3 3 PLC/DEC: ± 4 PLC/DEC: ± ANGLES: ±1 | | NAME/TITRE PROTECTING COVER, FLOATING CONNECTOR | | PRODUCT SPEC. PRODUIT 108-15349 APPLICATION SPEC. APPLICATION 114-15121 | |
| MATERIAL/MATIERE 1 | | FINISH/FINITION - | | WEIGHT/MASSE APPROX. 2.3 g | | SIZE FORMAT A3 CAGE CODE 00779 DRAWING NO No PLAN C=1577136 | |
| CUSTOMER DRAWING /PLAN CLIENT | | | | UNIQUEMENT POUR REFERENCE | | SCALE ECHELLE 5:2 | |
| | | | | SHEET FEUILLE 1 OF DE 1 | | REV C | |