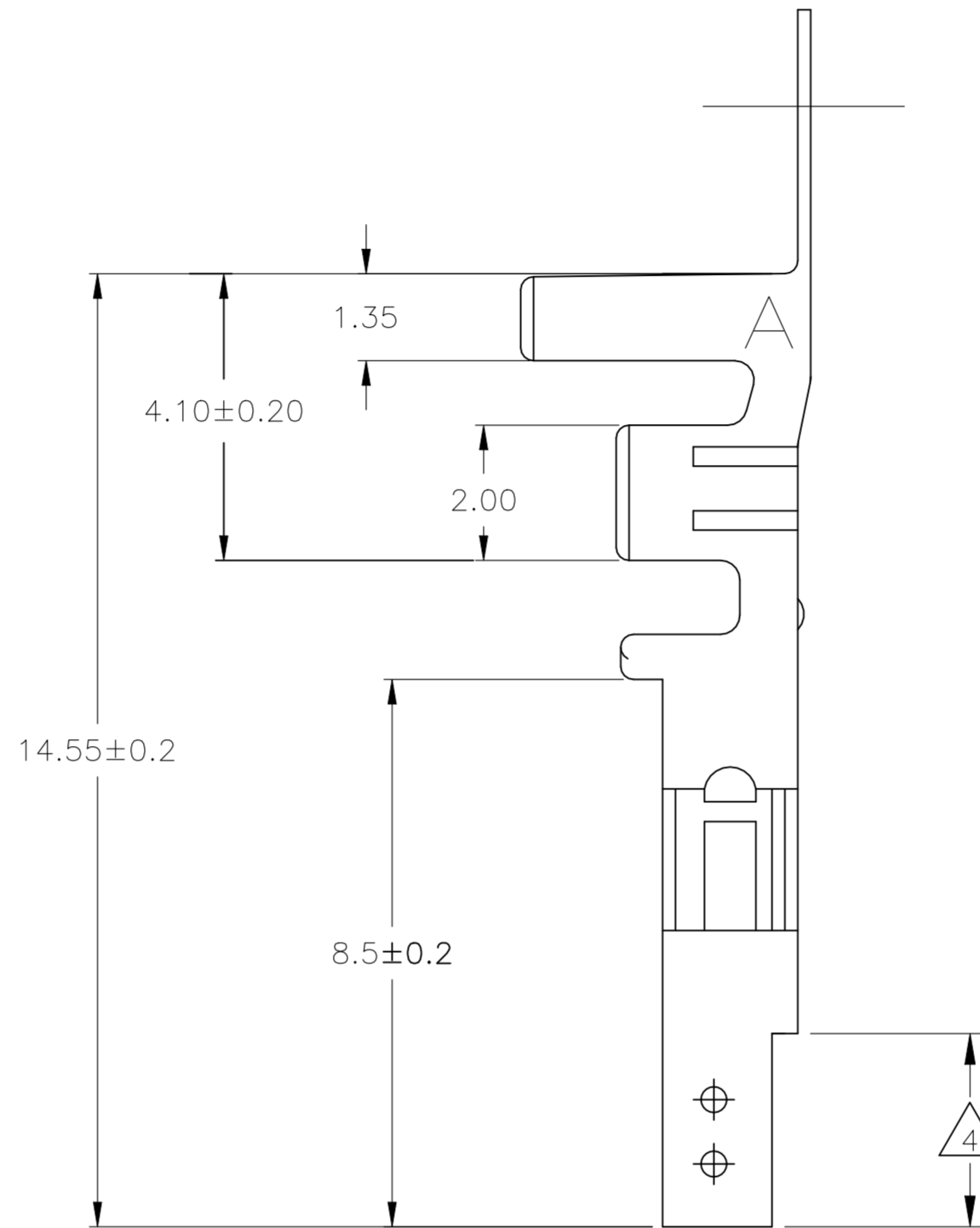
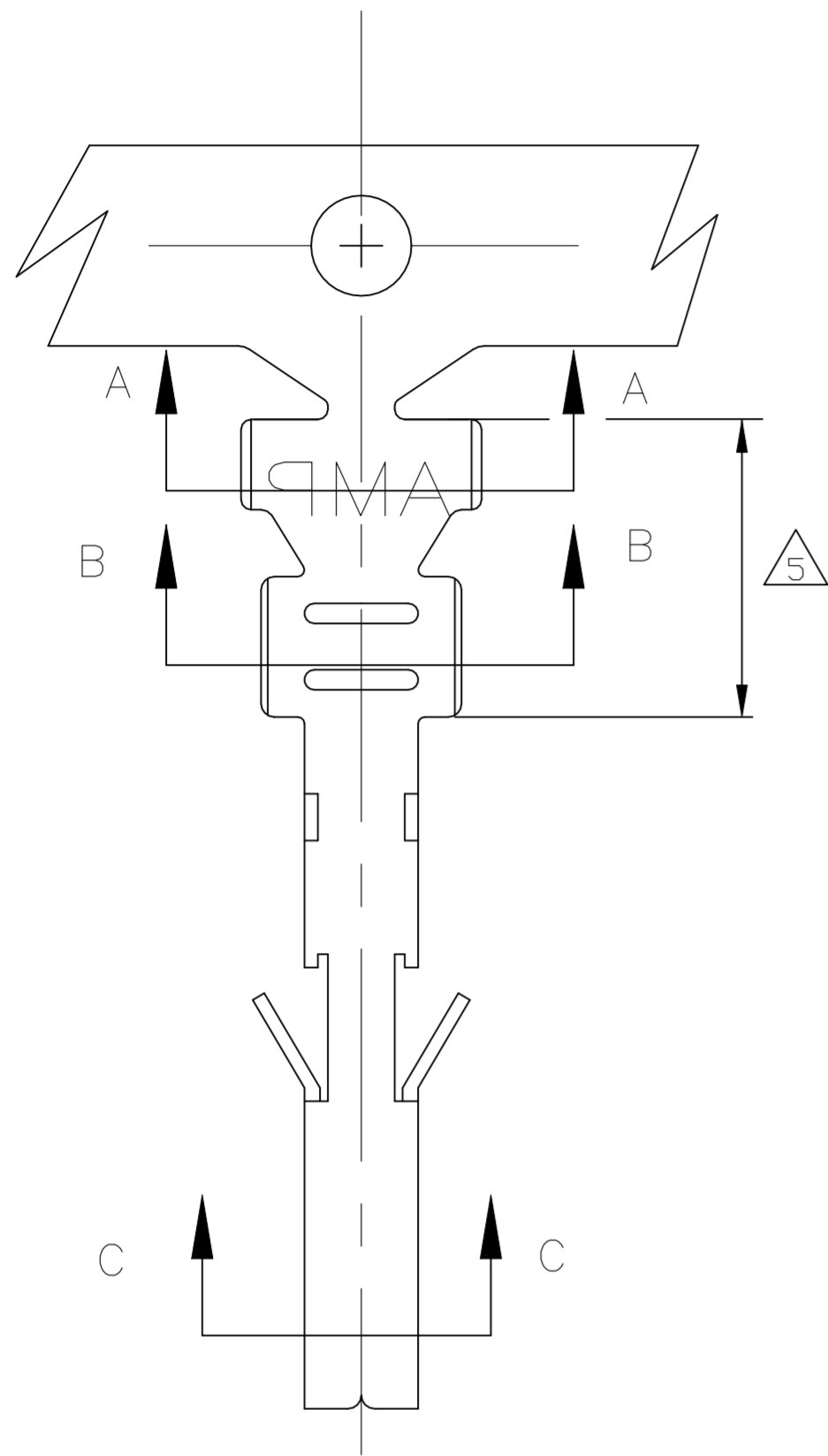
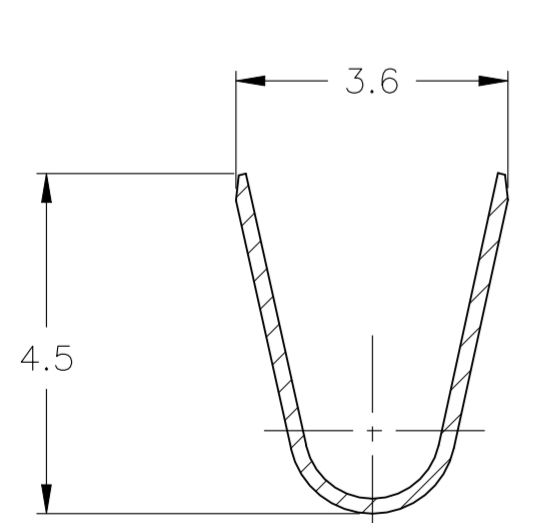


THIS DRAWING IS UNPUBLISHED. RELEASED FOR PUBLICATION
 © COPYRIGHT - By - ALL RIGHTS RESERVED.

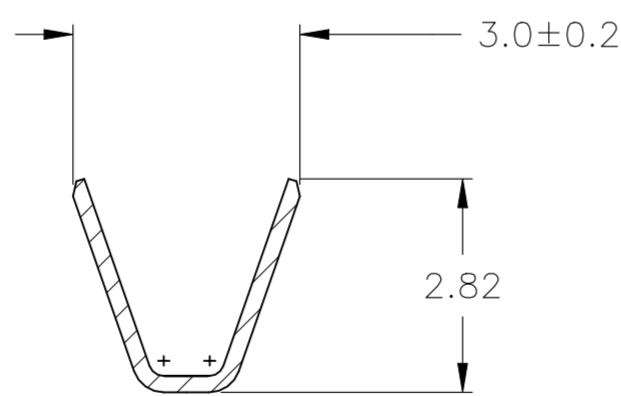
REVISIONS					
P	LTR	DESCRIPTION	DATE	DWN	APVD
C5		REVISED PER ECR-23-173068	13DEC2023	P.C	D.Z



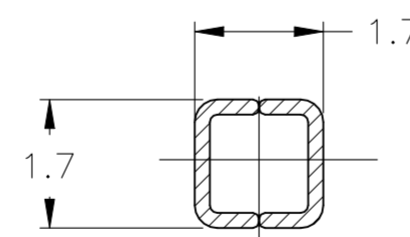
- 1 WIRE RANGE: 1.31mm² (16 AWG).
- 2 INSULATION RANGE 3.10 MAXIMUM DIAMETER
- 3 FINISH: 1.27μm MIN NICKEL ALL OVER
- 4 FINISH: 0.76μm MIN GOLD ON INNER SURFACE, PERMITTED ON OUTER SURFACE.
- 5 FINISH: 2.54μm MIN TIN ON ALL SURFACES IN THIS AREA.
- 6 FINISH: 2.54μm MINIMUM PRE-TIN OVERALL



SECTION A-A



SECTION B-B



SECTION C-C

GOLD 3 4 5	PHOS. BRZ.	1586055-4
PRE-TIN 6	PHOS. BRZ.	1586055-3
GOLD 3 4 5	BRASS	1586055-2
PRE-TIN 6	BRASS	1586055-1
FINISH	MATERIAL	PART NO.

THIS DRAWING IS A CONTROLLED DOCUMENT.		DWN S. HOOVER 15-NOV-2004	TE Connectivity		
DIMENSIONS: mm [INCHES]		CHK D. COLEY 15-NOV-2004			
TOLERANCES UNLESS OTHERWISE SPECIFIED:		APVD D. COLEY 15-NOV-2004	NAME		
0 PLC ±		PRODUCT SPEC 108-2112	TERMINAL, SOCKET VAL-U-LOK(TM)		
1 PLC ± 0.15		APPLICATION SPEC 114-13172	SIZE A2	CAGE CODE 00779	DRAWING NO C=1586055
2 PLC ± 0.10		MATERIAL	SCALE 10:1	SHEET 1 of 1	REV C5
3 PLC ±		FINISH	CUSTOMER DRAWING		
4 PLC ±		WEIGHT -			
ANGLES ±					