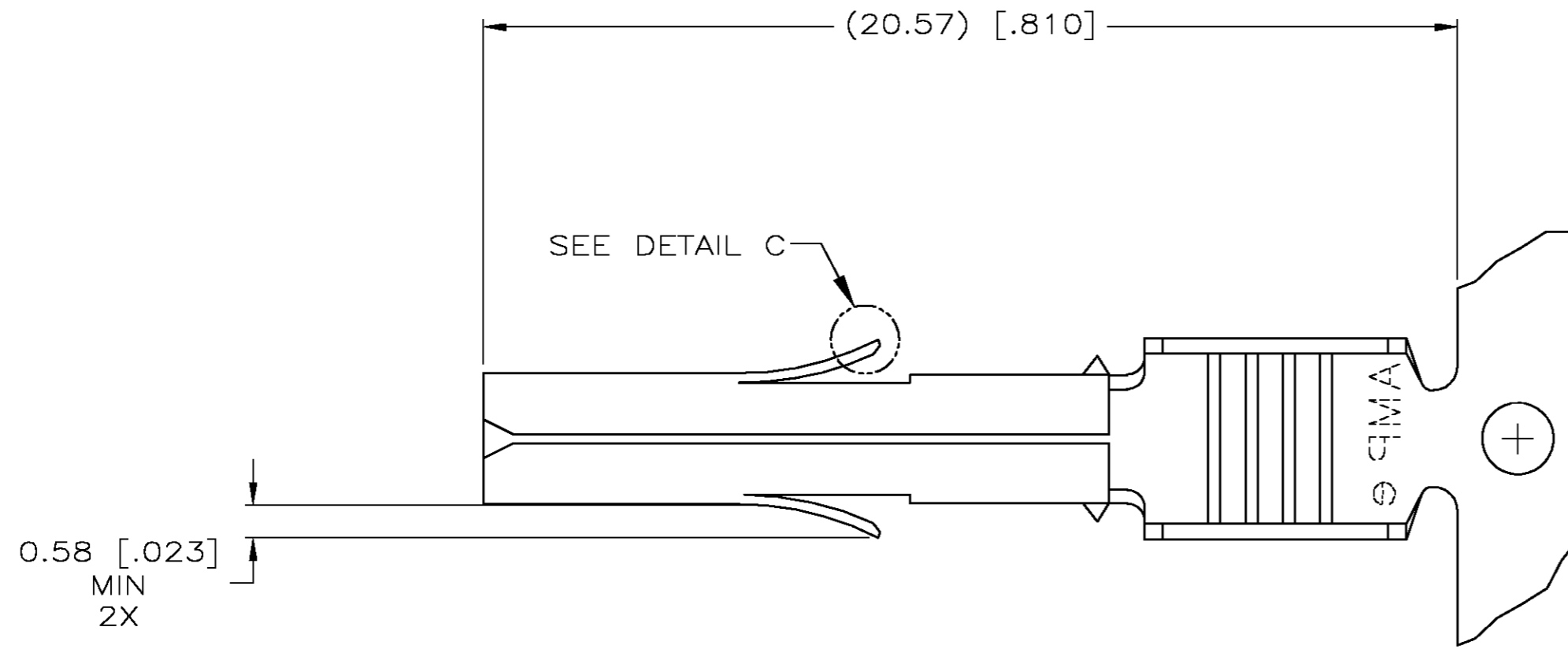
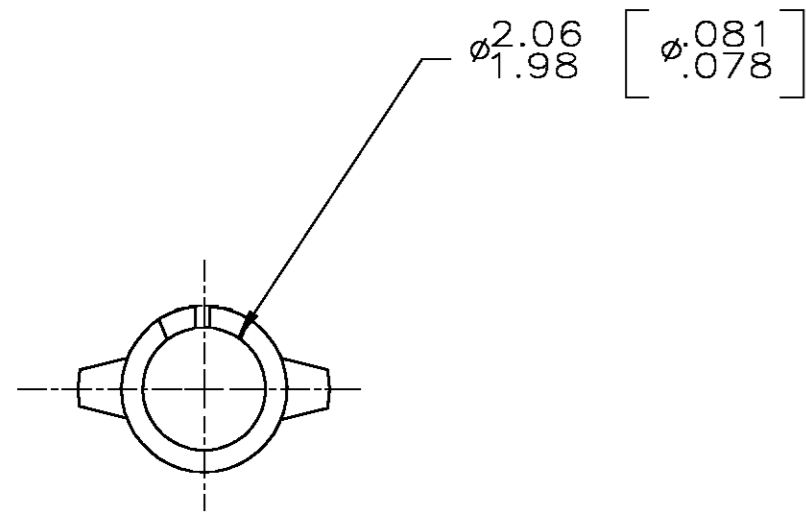
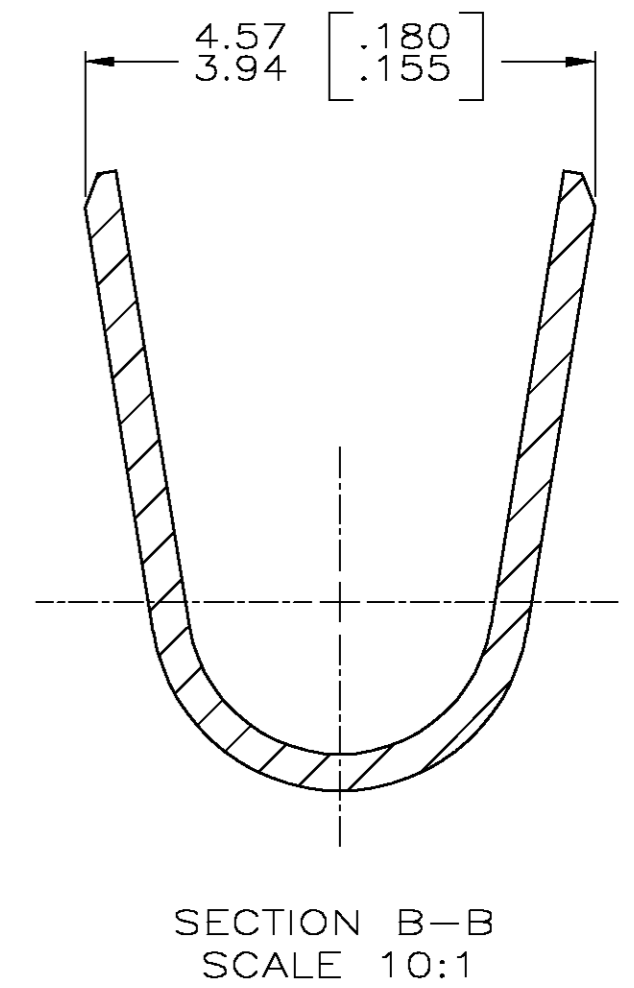
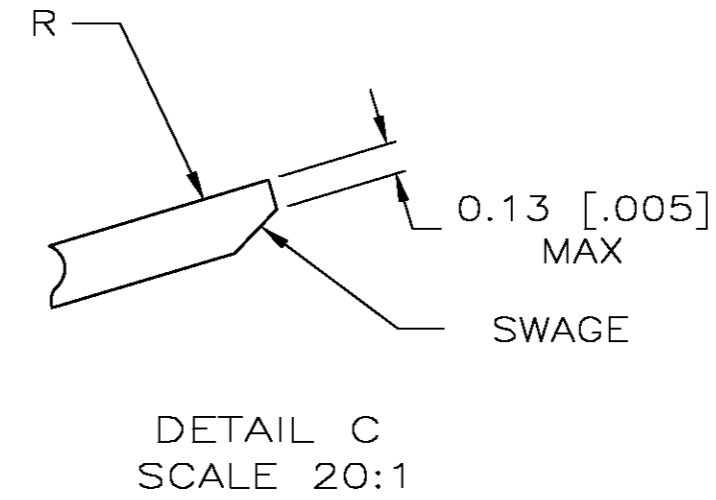
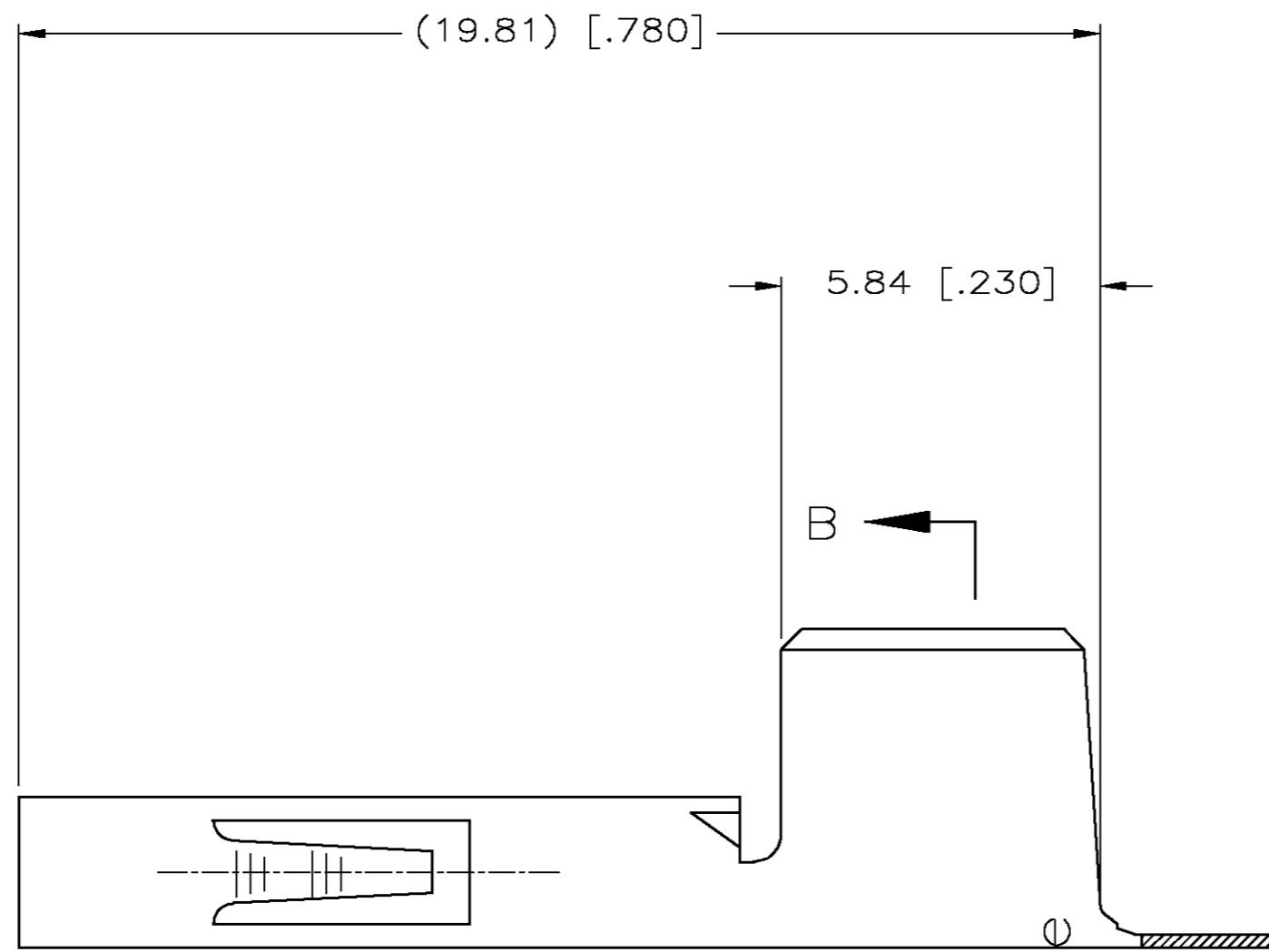


THIS DRAWING IS UNPUBLISHED. RELEASED FOR PUBLICATION
 © COPYRIGHT BY TYCO ELECTRONICS CORPORATION. ALL RIGHTS RESERVED.

LOC	DIST	REVISIONS			
P	LTR	DESCRIPTION	DATE	DWN	APVD
CM	00	B	REVISED PER EC 0G3B-0729-03	19-FEB-04	SH SR



1. DIMENSIONS IN BRACKETS ARE IN INCHES.
2. WIRE RANGE 12-10 AWG.
3. INSULATION RANGE 5.08 [.200] DIAMETER MAX, LIMITED BY THE CONNECTOR HOUSING CAVITY.



1586065-1
PART NUMBER

METRIC

THIS DRAWING IS A CONTROLLED DOCUMENT.		DWN S. HOOVER 19-FEB-2004	Tyco Electronics Corporation Harrisburg, Pa 17105-3608	
DIMENSIONS: mm [INCHES]		CHK S. RIDGILL 19-FEB-2004	NAME SOCKET, ENHANCED CURRENT UNIVERSAL MATE-N-LOK™	
TOLERANCES UNLESS OTHERWISE SPECIFIED:		APVD S. RIDGILL 19-FEB-2004	PRODUCT SPEC	
0 PLC ±		APPLICATION SPEC		
1 PLC ±		WEIGHT		
2 PLC ± 0.13 [.005]		SIZE A2		
3 PLC ±		CAGE CODE 00779		
4 PLC ±		DRAWING NO C=1586065		
ANGLES ±		RESTRICTED TO		
FINISH PRE-TIN		CUSTOMER DRAWING		
MATERIAL 0.30 [.012] COPPER ALLOY		SCALE 8:1		
		SHEET 1 OF 1		
		REV B		