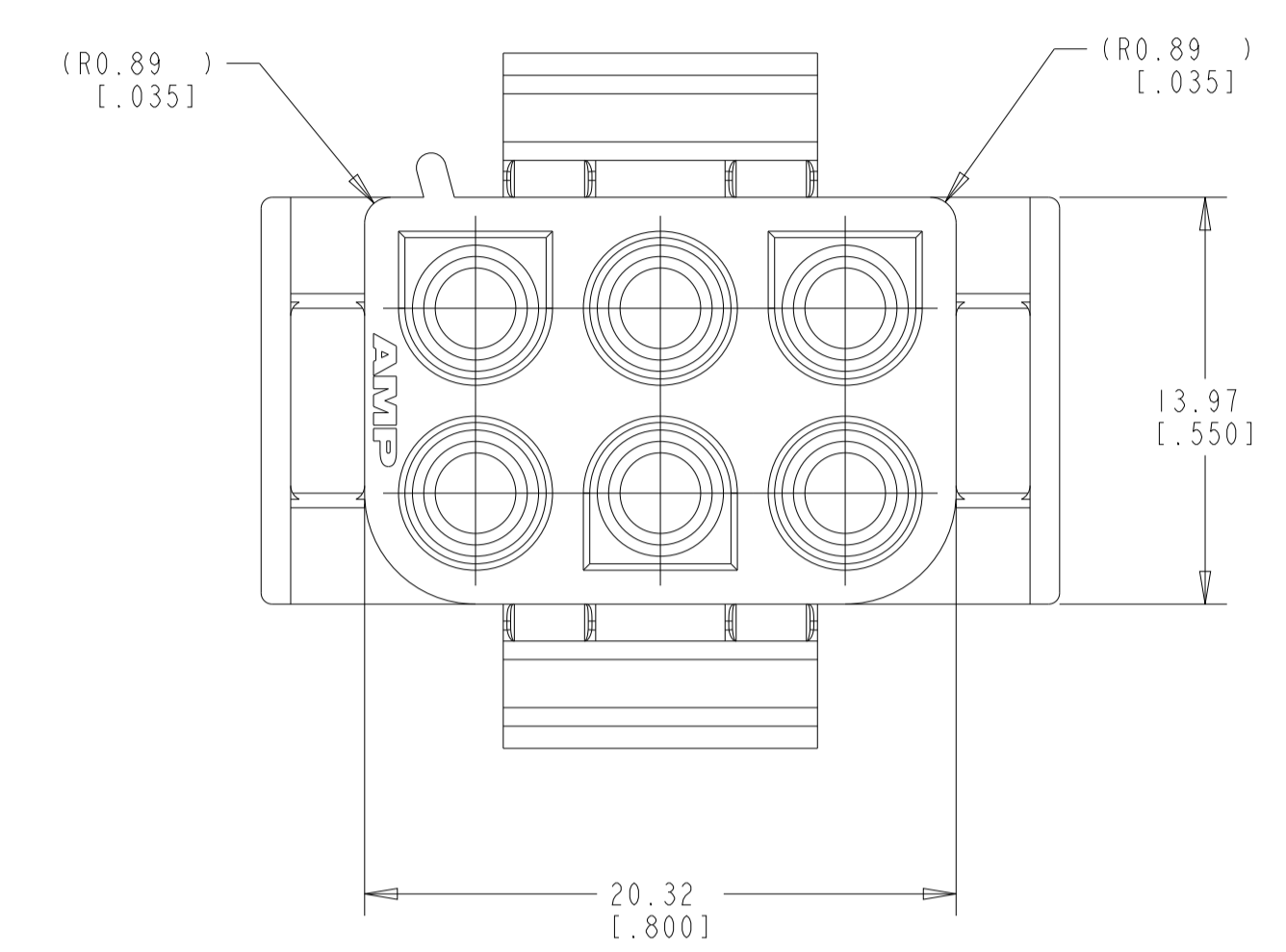
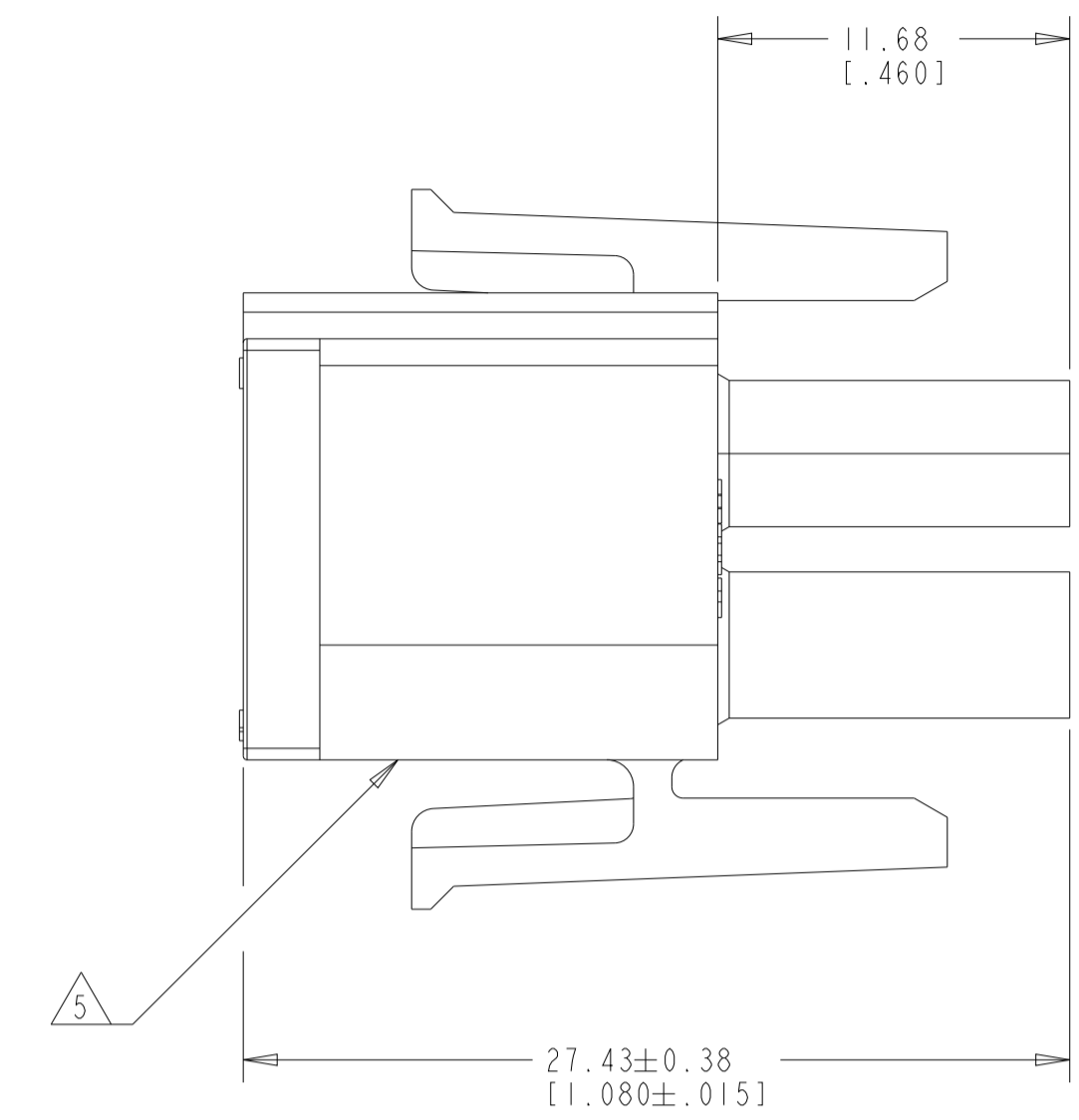
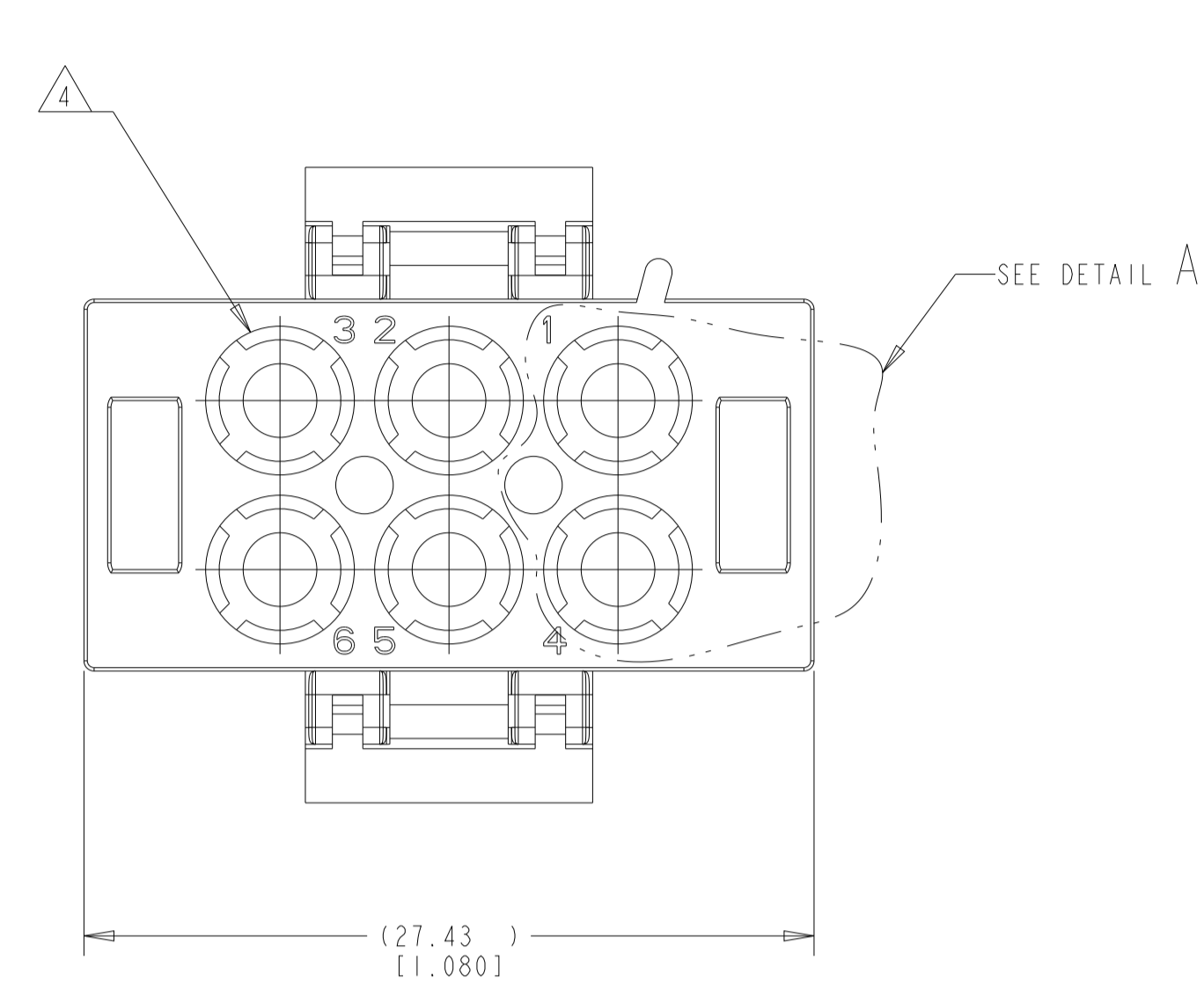
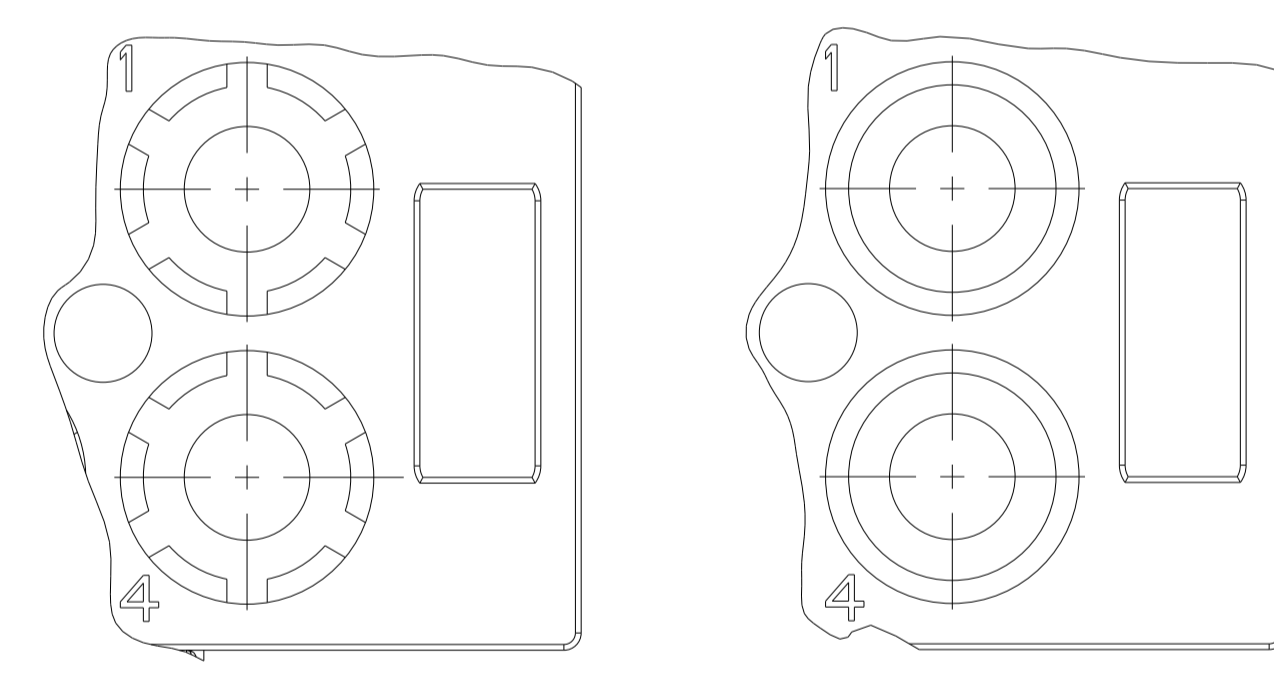
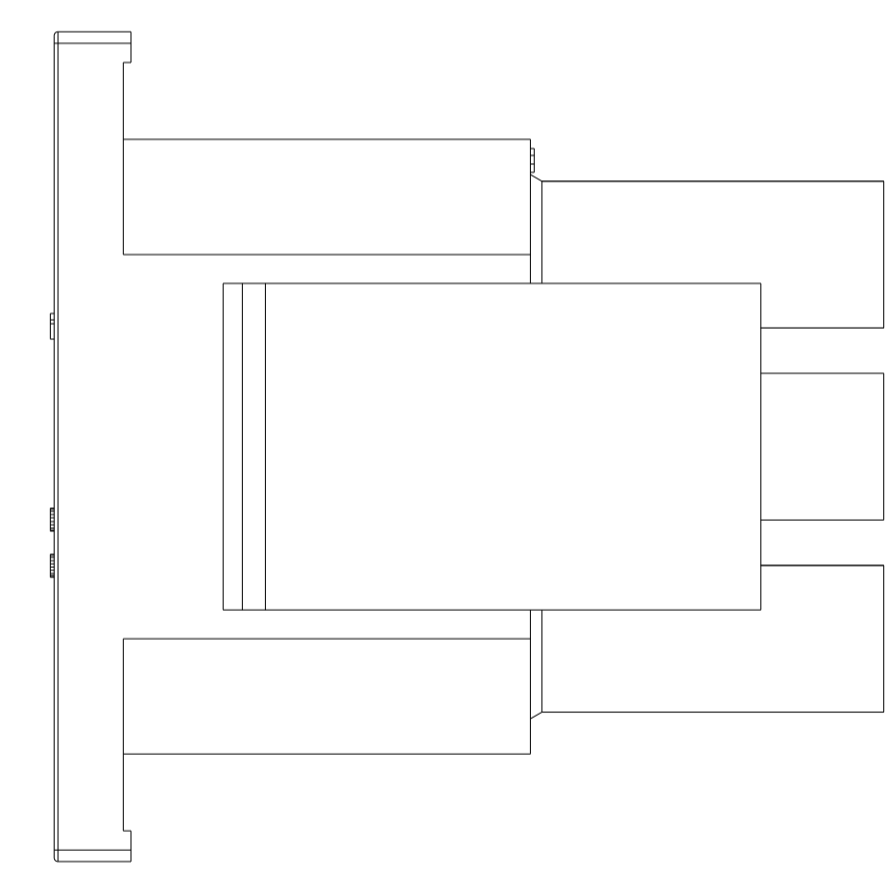


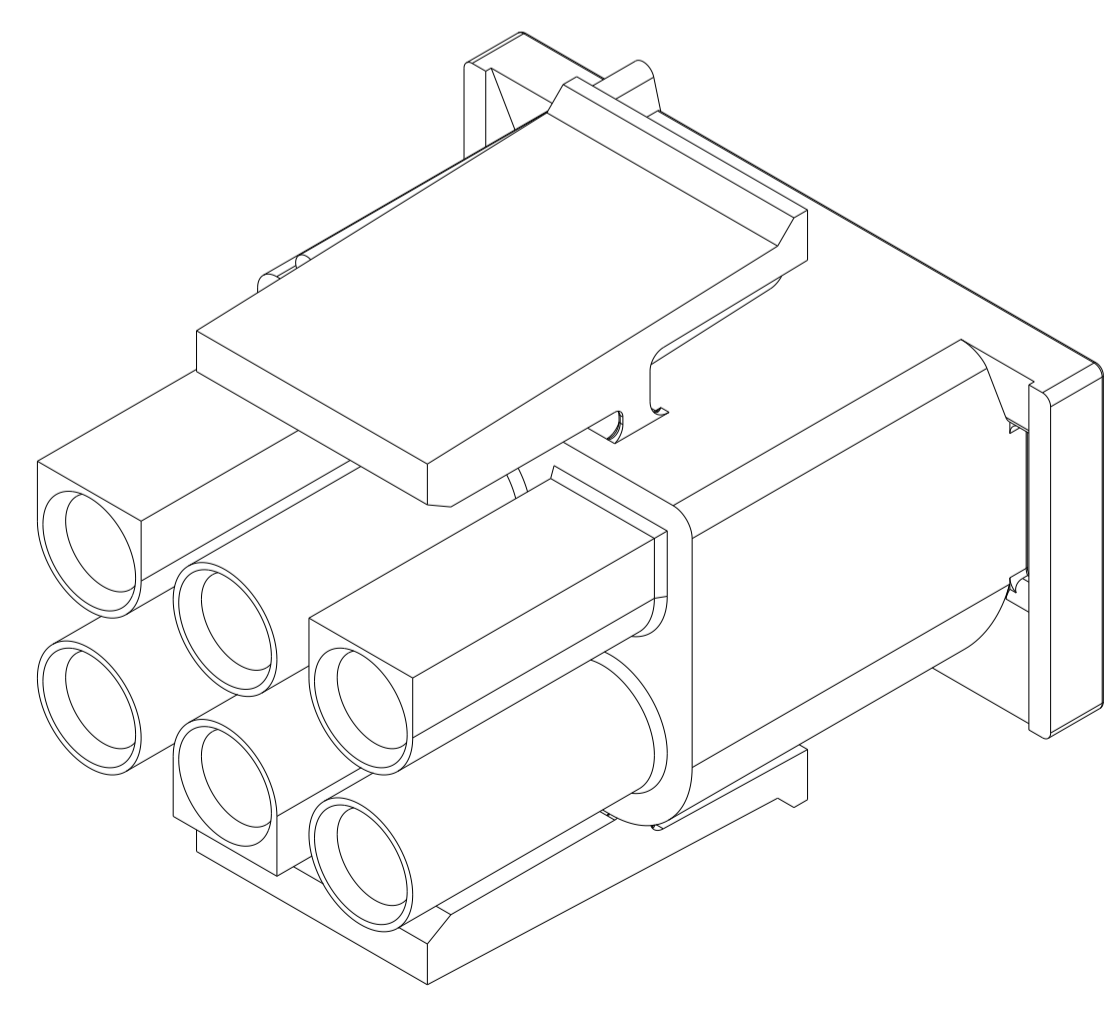
REVISIONS				
P	LTN	DESCRIPTION	DATE	APVD
A		REVISED PER ECR-17-015449	26OCT2017	BDA KR
B		REVISED PER ECR-24-218682	09SEP2024	AK BR



- MATES WITH APPROPRIATE UNIVERSAL MATE-N-LOK™ CAP OR HEADER.
 - SMALL NICKS ARE PERMITTED ON THE CIRCUIT TOWERS WHICH COULD INCREASE THE INITIAL HOUSING MATING FORCE BY UP TO 4.4 NEWTONS [1.0 LBS]. NO INDIVIDUAL NICKED TOWER SHALL INCREASE THIS FORCE BY OVER 2.2 NEWTONS [0.5 LBS].
 - DIMENSIONS SHOWN REPRESENT PRODUCT IN DRY, AS MOLDED, CONDITION. ADDITIONAL 2% GROWTH DUE TO SUBSEQUENT MOISTURE ABSORPTION MAY OCCUR AND SHOULD BE ACCOUNTED FOR.
- 4 FOUR RIBS EQUALLY SPACED, NO SPECIFIC ORIENTATION. NO RIBS OR SIX RIBS EQUALLY SPACED, NO SPECIFIC ORIENTATION, OPTIONAL.
- 5 UNDERWRITERS RECOGNIZED COMPONENT LOGO AND CSA CERTIFICATION LOGO TO BE LOCATED ONCE EACH ON SIDE OF HOUSING.



DETAIL A
SCALE 6:1
OPTIONAL CONSTRUCTIONS



BLACK	1586379-1
COLOR	PART NUMBER

THIS DRAWING IS A CONTROLLED DOCUMENT.		DWN S. HOOVER 05MAR2004	SHEET 1 OF 1	
DIMENSIONS: mm [INCHES]		CHK S. RIDGILL 05MAR2004	RESTRICTED TO	
TOLERANCES UNLESS OTHERWISE SPECIFIED:		APVD S. RIDGILL 05MAR2004	NAME PLUG, 6 CIRCUIT, UNIVERSAL MATE-N-LOK	
0 PLC ±	1 PLC ±	PRODUCT SPEC	-	
2 PLC ±0.131(.005)	3 PLC ±	APPLICATION SPEC	-	
4 PLC ±	ANGLES ±	SIZE CAGE CODE DRAWING NO	A 00779 C=1586379	
MATERIAL NYLON, UL 94V-2	FINISH	WEIGHT	SCALE 4:1 SHEET 1 OF 1 REV B	
CUSTOMER DRAWING				