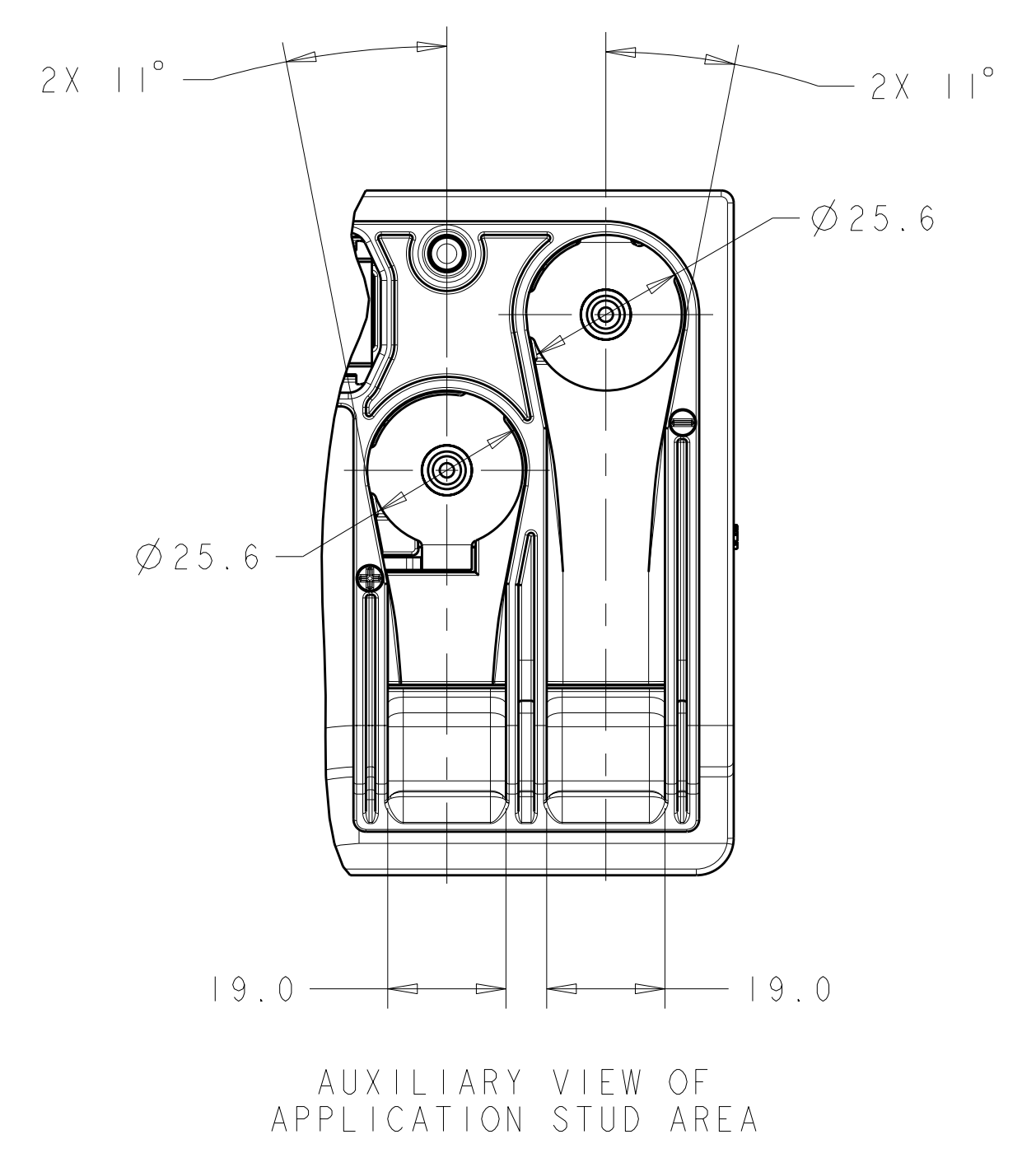
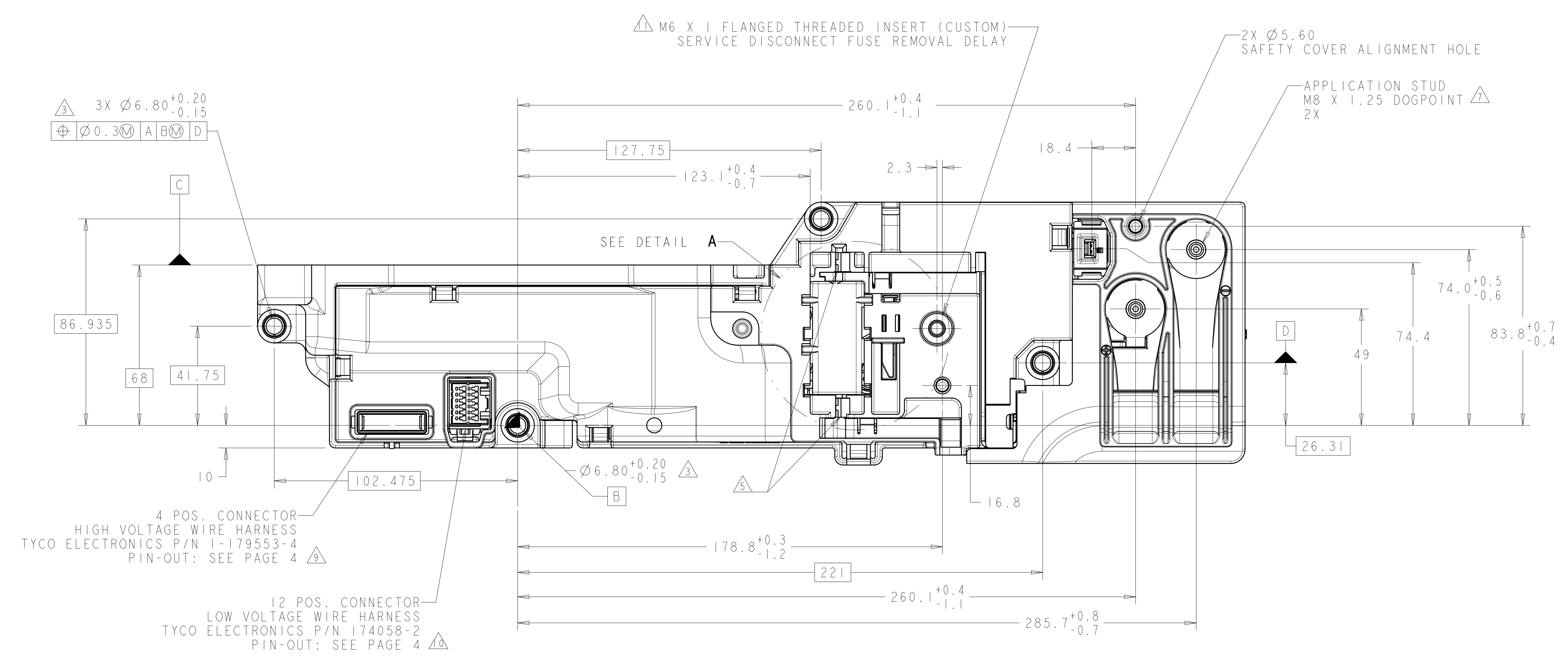
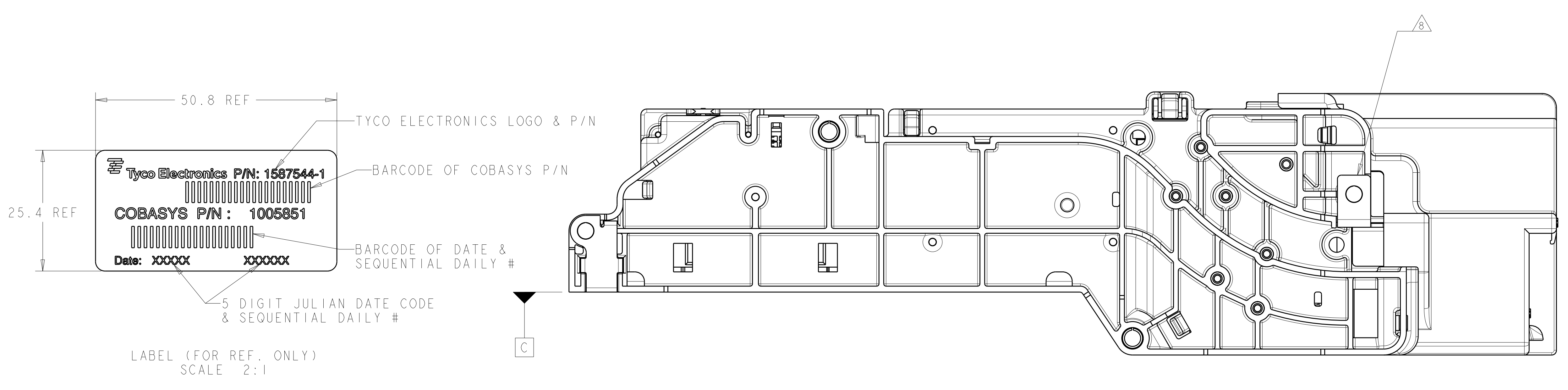
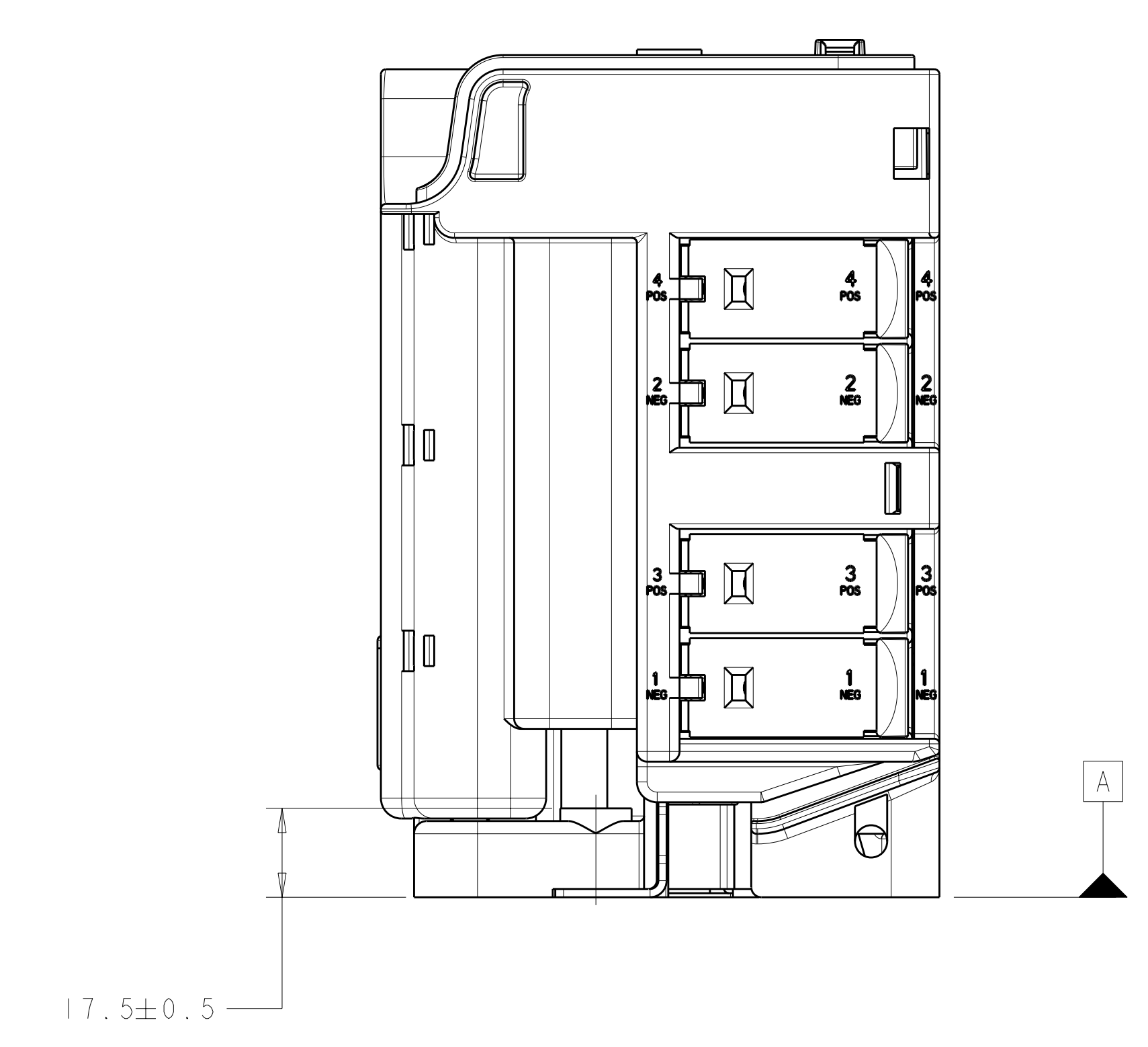
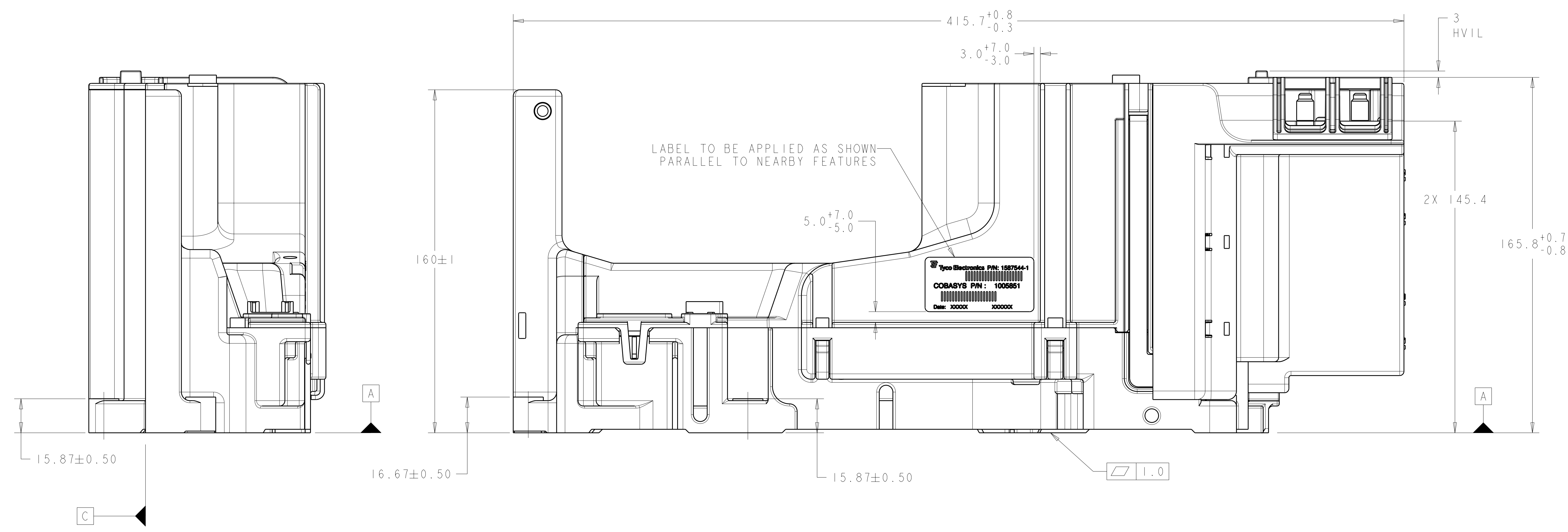


REV. NO.		REVISIONS			
REV.	DESCRIPTION	DATE	STATUS	E.C.D. #	DRW. ENG.
C	ECR-09-006806	20081009	AB		AB
C1	ECO-09-011803	10081009	AB		AB
C2	ECR-09-011953	20081009	AB		AB
D	ECR-09-019404	09081009	AB		AB



REV.	DESCRIPTION	DATE	STATUS	E.C.D. #	DRW.	ENG.
A	INITIAL RELEASE	10/17/08	V	D1927	GDM	RL



1587544-1	1587373-2	D
TYCO ELECTRONICS ASSEMBLY P/N	TE PCB ASSY P/N	TE PCB REVISION

COBASYS

UNLESS OTHERWISE SPECIFIED:
 DIMENSIONS ARE IN INCHES
 DECIMALS -
 FRACTIONS -
 NO DECIMAL FRACTIONS
 NO PLACES DECIMAL
 DECIMAL FRACTIONS
 INTERPRET GEOMETRIC
 TOLERANCING PER:
 ASME Y14.5-1994
 THIRD ANGLE PROJECTION
 DO NOT SCALE DRAWING

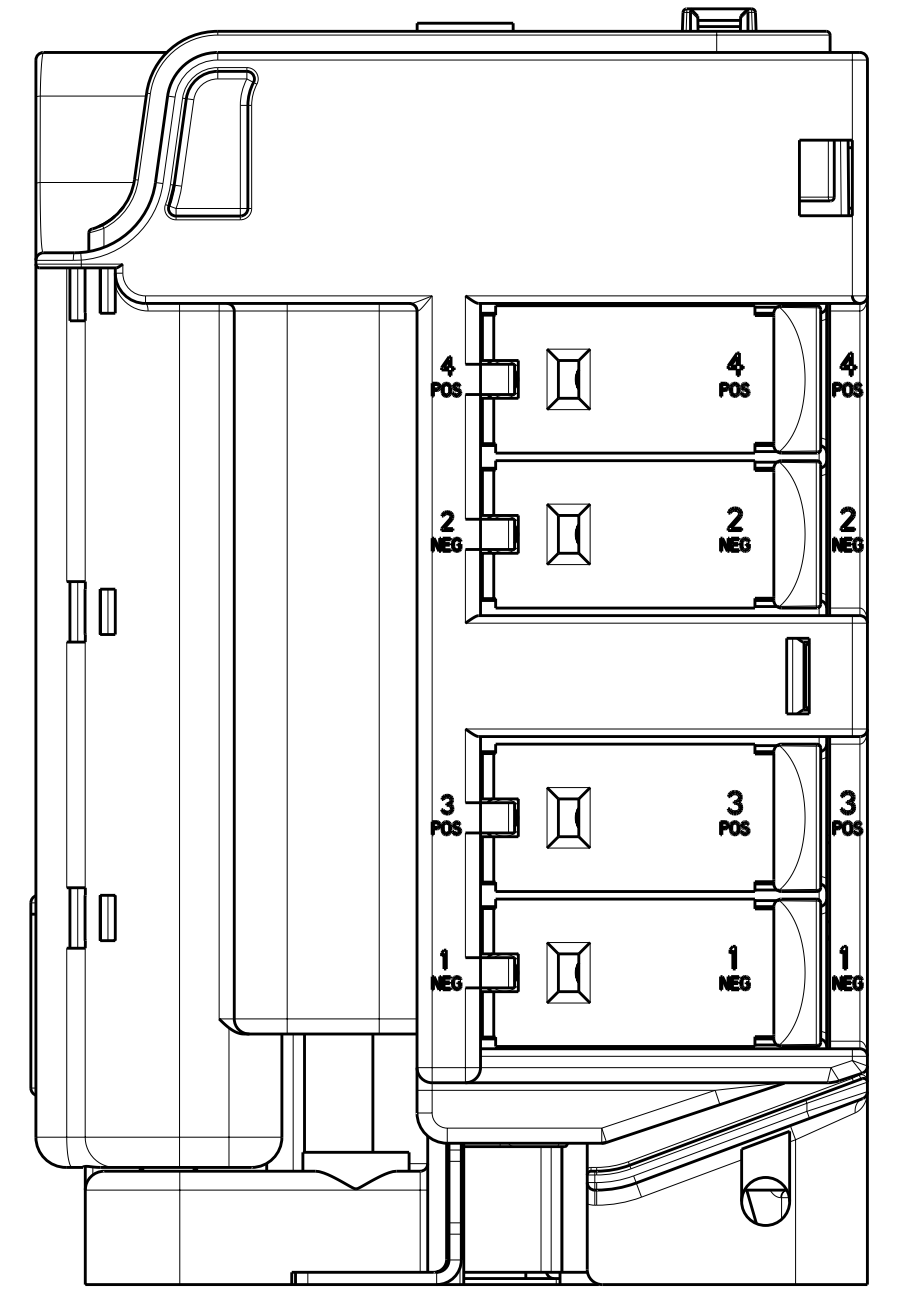
NAME	DATE	PART NAME
DESIGNER: GDM	09/18/2008	BRACKET, ELECTRONICS
DRAWN: GDM	09/18/2008	
CHECKED:		
ENG APPR:		

APPR: STATUS (PART NUMBER):
 1005851 REV: A
 SIZE: CUSTOMER: -
 CUSTOMER # : -
 SHEET 1 OF 4

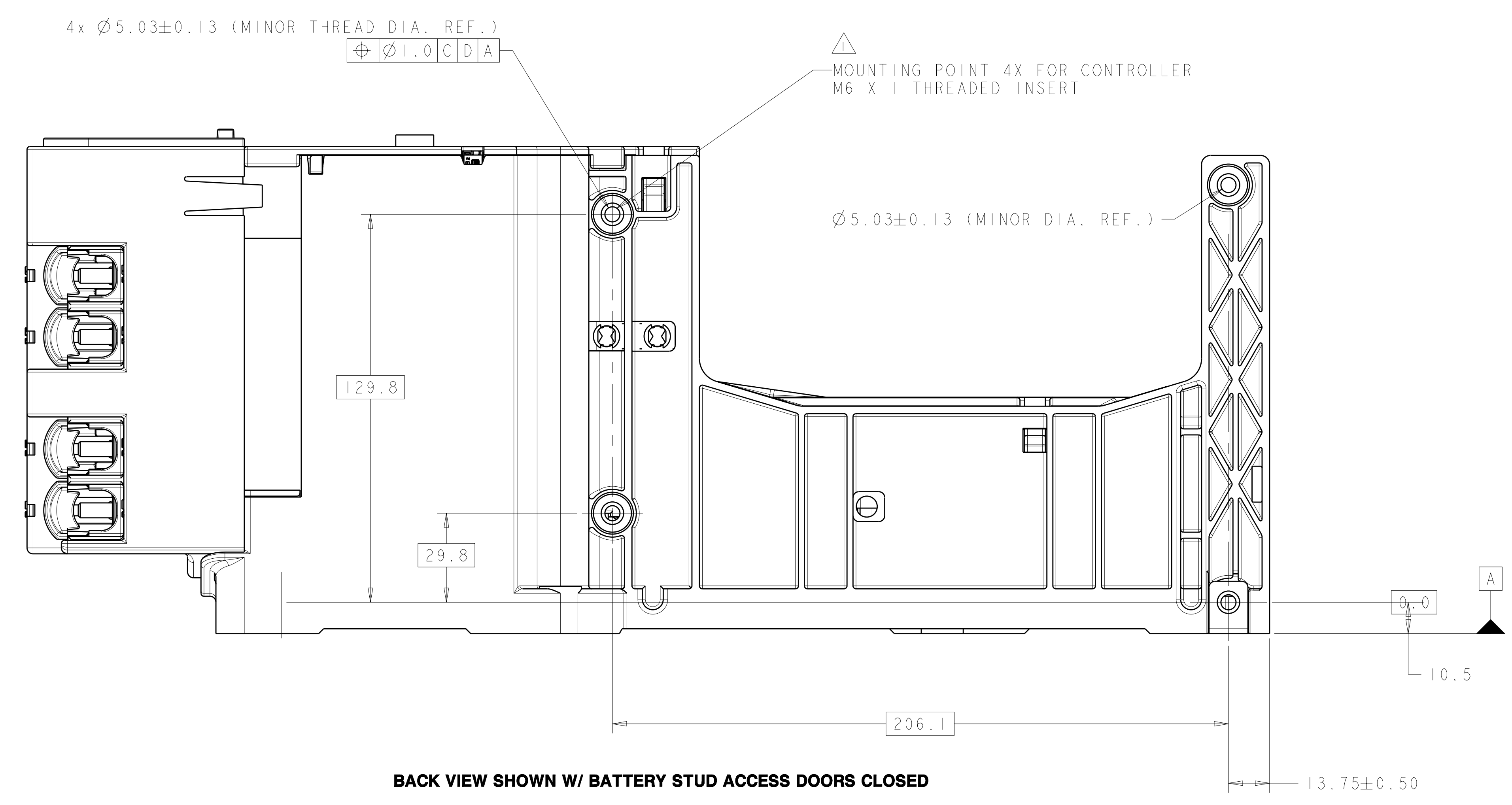
DRAWN	DATE	BY	NAME
J. HEAD	02/24/2007	ZSMAROT	J. HEAD
J. HEAD		ZSMAROT	J. HEAD
J. BOLEWITZ		ZSMAROT	J. BOLEWITZ

DIMENSIONS: DIMENSIONS UNLESS OTHERWISE SPECIFIED:
 DIM: 0 P/100 0.005
 1 P/100 0.005
 2 P/100 0.010
 3 P/100 0.015
 4 P/100 0.020
 5 P/100 0.030
 6 P/100 0.040
 7 P/100 0.050
 8 P/100 0.060
 9 P/100 0.070
 10 P/100 0.080
 11 P/100 0.090
 12 P/100 0.100
 13 P/100 0.120
 14 P/100 0.150
 15 P/100 0.200
 16 P/100 0.250
 17 P/100 0.300
 18 P/100 0.375
 19 P/100 0.450
 20 P/100 0.500
 21 P/100 0.600
 22 P/100 0.750
 23 P/100 0.875
 24 P/100 1.000
 25 P/100 1.250
 26 P/100 1.500
 27 P/100 1.750
 28 P/100 2.000
 29 P/100 2.500
 30 P/100 3.000
 31 P/100 3.750
 32 P/100 4.500
 33 P/100 5.000
 34 P/100 6.000
 35 P/100 7.500
 36 P/100 9.000
 37 P/100 10.000
 38 P/100 12.000
 39 P/100 15.000
 40 P/100 18.000
 41 P/100 20.000
 42 P/100 24.000
 43 P/100 30.000
 44 P/100 36.000
 45 P/100 45.000
 46 P/100 54.000
 47 P/100 66.000
 48 P/100 81.000
 49 P/100 90.000
 50 P/100 108.000
 51 P/100 135.000
 52 P/100 162.000
 53 P/100 180.000
 54 P/100 225.000
 55 P/100 270.000
 56 P/100 315.000
 57 P/100 360.000
 58 P/100 450.000
 59 P/100 540.000
 60 P/100 630.000
 61 P/100 720.000
 62 P/100 810.000
 63 P/100 900.000
 64 P/100 1080.000
 65 P/100 1350.000
 66 P/100 1620.000
 67 P/100 1800.000
 68 P/100 2250.000
 69 P/100 2700.000
 70 P/100 3150.000
 71 P/100 3600.000
 72 P/100 4500.000
 73 P/100 5400.000
 74 P/100 6300.000
 75 P/100 7200.000
 76 P/100 8100.000
 77 P/100 9000.000
 78 P/100 10800.000
 79 P/100 13500.000
 80 P/100 16200.000
 81 P/100 18000.000
 82 P/100 22500.000
 83 P/100 27000.000
 84 P/100 31500.000
 85 P/100 36000.000
 86 P/100 45000.000
 87 P/100 54000.000
 88 P/100 63000.000
 89 P/100 72000.000
 90 P/100 81000.000
 91 P/100 90000.000
 92 P/100 108000.000
 93 P/100 135000.000
 94 P/100 162000.000
 95 P/100 180000.000
 96 P/100 225000.000
 97 P/100 270000.000
 98 P/100 315000.000
 99 P/100 360000.000
 100 P/100 450000.000
 101 P/100 540000.000
 102 P/100 630000.000
 103 P/100 720000.000
 104 P/100 810000.000
 105 P/100 900000.000
 106 P/100 1080000.000
 107 P/100 1350000.000
 108 P/100 1620000.000
 109 P/100 1800000.000
 110 P/100 2250000.000
 111 P/100 2700000.000
 112 P/100 3150000.000
 113 P/100 3600000.000
 114 P/100 4500000.000
 115 P/100 5400000.000
 116 P/100 6300000.000
 117 P/100 7200000.000
 118 P/100 8100000.000
 119 P/100 9000000.000
 120 P/100 10800000.000
 121 P/100 13500000.000
 122 P/100 16200000.000
 123 P/100 18000000.000
 124 P/100 22500000.000
 125 P/100 27000000.000
 126 P/100 31500000.000
 127 P/100 36000000.000
 128 P/100 45000000.000
 129 P/100 54000000.000
 130 P/100 63000000.000
 131 P/100 72000000.000
 132 P/100 81000000.000
 133 P/100 90000000.000
 134 P/100 108000000.000
 135 P/100 135000000.000
 136 P/100 162000000.000
 137 P/100 180000000.000
 138 P/100 225000000.000
 139 P/100 270000000.000
 140 P/100 315000000.000
 141 P/100 360000000.000
 142 P/100 450000000.000
 143 P/100 540000000.000
 144 P/100 630000000.000
 145 P/100 720000000.000
 146 P/100 810000000.000
 147 P/100 900000000.000
 148 P/100 1080000000.000
 149 P/100 1350000000.000
 150 P/100 1620000000.000
 151 P/100 1800000000.000
 152 P/100 2250000000.000
 153 P/100 2700000000.000
 154 P/100 3150000000.000
 155 P/100 3600000000.000
 156 P/100 4500000000.000
 157 P/100 5400000000.000
 158 P/100 6300000000.000
 159 P/100 7200000000.000
 160 P/100 8100000000.000
 161 P/100 9000000000.000
 162 P/100 10800000000.000
 163 P/100 13500000000.000
 164 P/100 16200000000.000
 165 P/100 18000000000.000
 166 P/100 22500000000.000
 167 P/100 27000000000.000
 168 P/100 31500000000.000
 169 P/100 36000000000.000
 170 P/100 45000000000.000
 171 P/100 54000000000.000
 172 P/100 63000000000.000
 173 P/100 72000000000.000
 174 P/100 81000000000.000
 175 P/100 90000000000.000
 176 P/100 108000000000.000
 177 P/100 135000000000.000
 178 P/100 162000000000.000
 179 P/100 180000000000.000
 180 P/100 225000000000.000
 181 P/100 270000000000.000
 182 P/100 315000000000.000
 183 P/100 360000000000.000
 184 P/100 450000000000.000
 185 P/100 540000000000.000
 186 P/100 630000000000.000
 187 P/100 720000000000.000
 188 P/100 810000000000.000
 189 P/100 900000000000.000
 190 P/100 1080000000000.000
 191 P/100 1350000000000.000
 192 P/100 1620000000000.000
 193 P/100 1800000000000.000
 194 P/100 2250000000000.000
 195 P/100 2700000000000.000
 196 P/100 3150000000000.000
 197 P/100 3600000000000.000
 198 P/100 4500000000000.000
 199 P/100 5400000000000.000
 200 P/100 6300000000000.000
 201 P/100 7200000000000.000
 202 P/100 8100000000000.000
 203 P/100 9000000000000.000
 204 P/100 10800000000000.000
 205 P/100 13500000000000.000
 206 P/100 16200000000000.000
 207 P/100 18000000000000.000
 208 P/100 22500000000000.000
 209 P/100 27000000000000.000
 210 P/100 31500000000000.000
 211 P/100 36000000000000.000
 212 P/100 45000000000000.000
 213 P/100 54000000000000.000
 214 P/100 63000000000000.000
 215 P/100 72000000000000.000
 216 P/100 81000000000000.000
 217 P/100 90000000000000.000
 218 P/100 108000000000000.000
 219 P/100 135000000000000.000
 220 P/100 162000000000000.000
 221 P/100 180000000000000.000
 222 P/100 225000000000000.000
 223 P/100 270000000000000.000
 224 P/100 315000000000000.000
 225 P/100 360000000000000.000
 226 P/100 450000000000000.000
 227 P/100 540000000000000.000
 228 P/100 630000000000000.000
 229 P/100 720000000000000.000
 230 P/100 810000000000000.000
 231 P/100 900000000000000.000
 232 P/100 1080000000000000.000
 233 P/100 1350000000000000.000
 234 P/100 1620000000000000.000
 235 P/100 1800000000000000.000
 236 P/100 2250000000000000.000
 237 P/100 2700000000000000.000
 238 P/100 3150000000000000.000
 239 P/100 3600000000000000.000
 240 P/100 4500000000000000.000
 241 P/100 5400000000000000.000
 242 P/100 6300000000000000.000
 243 P/100 7200000000000000.000
 244 P/100 8100000000000000.000
 245 P/100 9000000000000000.000
 246 P/100 10800000000000000.000
 247 P/100 13500000000000000.000
 248 P/100 16200000000000000.000
 249 P/100 18000000000000000.000
 250 P/100 22500000000000000.000
 251 P/100 27000000000000000.000
 252 P/100 31500000000000000.000
 253 P/100 36000000000000000.000
 254 P/100 45000000000000000.000
 255 P/100 54000000000000000.000
 256 P/100 63000000000000000.000
 257 P/100 72000000000000000.000
 258 P/100 81000000000000000.000
 259 P/100 90000000000000000.000
 260 P/100 108000000000000000.000
 261 P/100 135000000000000000.000
 262 P/100 162000000000000000.000
 263 P/100 180000000000000000.000
 264 P/100 225000000000000000.000
 265 P/100 270000000000000000.000
 266 P/100 315000000000000000.000
 267 P/100 360000000000000000.000
 268 P/100 450000000000000000.000
 269 P/100 540000000000000000.000
 270 P/100 630000000000000000.000
 271 P/100 720000000000000000.000
 272 P/100 810000000000000000.000
 273 P/100 900000000000000000.000
 274 P/100 1080000000000000000.000
 275 P/100 1350000000000000000.000
 276 P/100 1620000000000000000.000
 277 P/100 1800000000000000000.000
 278 P/100 2250000000000000000.000
 279 P/100 2700000000000000000.000
 280 P/100 3150000000000000000.000
 281 P/100 3600000000000000000.000
 282 P/100 4500000000000000000.000
 283 P/100 5400000000000000000.000
 284 P/100 6300000000000000000.000
 285 P/100 7200000000000000000.000
 286 P/100 8100000000000000000.000
 287 P/100 9000000000000000000.000
 288 P/100 10800000000000000000.000
 289 P/100 13500000000000000000.000
 290 P/100 16200000000000000000.000
 291 P/100 18000000000000000000.000
 292 P/100 22500000000000000000.000
 293 P/100 27000000000000000000.000
 294 P/100 31500000000000000000.000
 295 P/100 36000000000000000000.000
 296 P/100 45000000000000000000.000
 297 P/100 54000000000000000000.000
 298 P/100 63000000000000000000.000
 299 P/100 72000000000000000000.000
 300 P/100 81000000000000000000.000
 301 P/100 90000000000000000000.000
 302 P/100 108000000000000000000.000
 303 P/100 135000000000000000000.000
 304 P/100 162000000000000000000.000
 305 P/100 180000000000000000000.000
 306 P/100 225000000000000000000.000
 307 P/100 270000000000000000000.000
 308 P/100 315000000000000000000.000
 309 P/100 360000000000000000000.000
 310 P/100 450000000000000000000.000
 311 P/100 540000000000000000000.000
 312 P/100 630000000000000000000.000
 313 P/100 720000000000000000000.000
 314 P/100 810000000000000000000.000
 315 P/100 900000000000000000000.000
 316 P/100 1080000000000000000000.000
 317 P/100 1350000000000000000000.000
 318 P/100 1620000000000000000000.000
 319 P/100 1800000000000000000000.000
 320 P/100 2250000000000000000000.000
 321 P/100 2700000000000000000000.000
 322 P/100 3150000000000000000000.000
 323 P/100 3600000000000000000000.000
 324 P/100 4500000000000000000000.000
 325 P/100 5400000000000000000000.000
 326 P/100 6300000000000000000000.000
 327 P/100 7200000000000000000000.000
 328 P/100 8100000000000000000000.000
 329 P/100 9000000000000000000000.000
 330 P/100 10800000000000000000000.000
 331 P/100 13500000000000000000000.000
 332 P/100 162000000000000

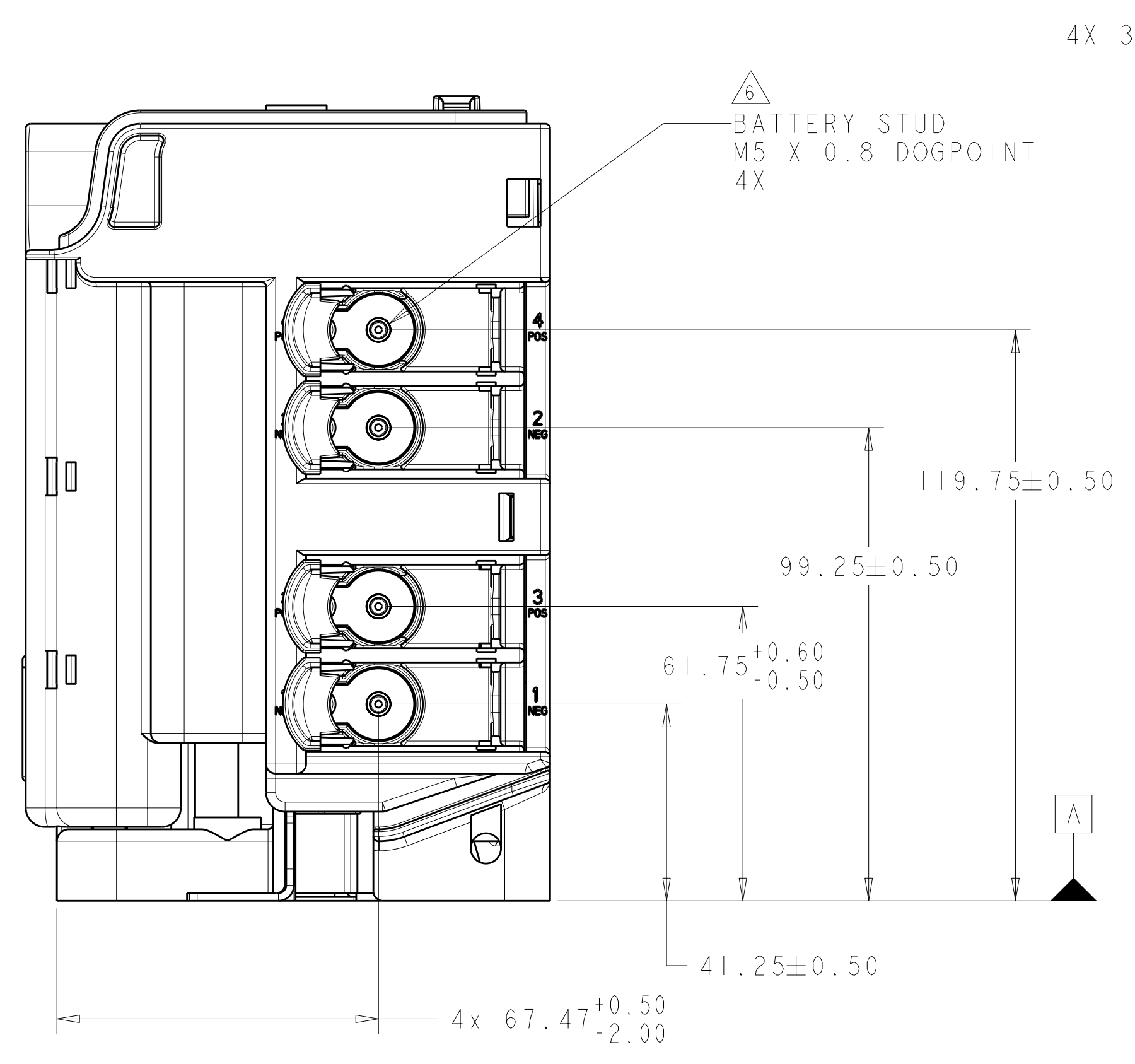
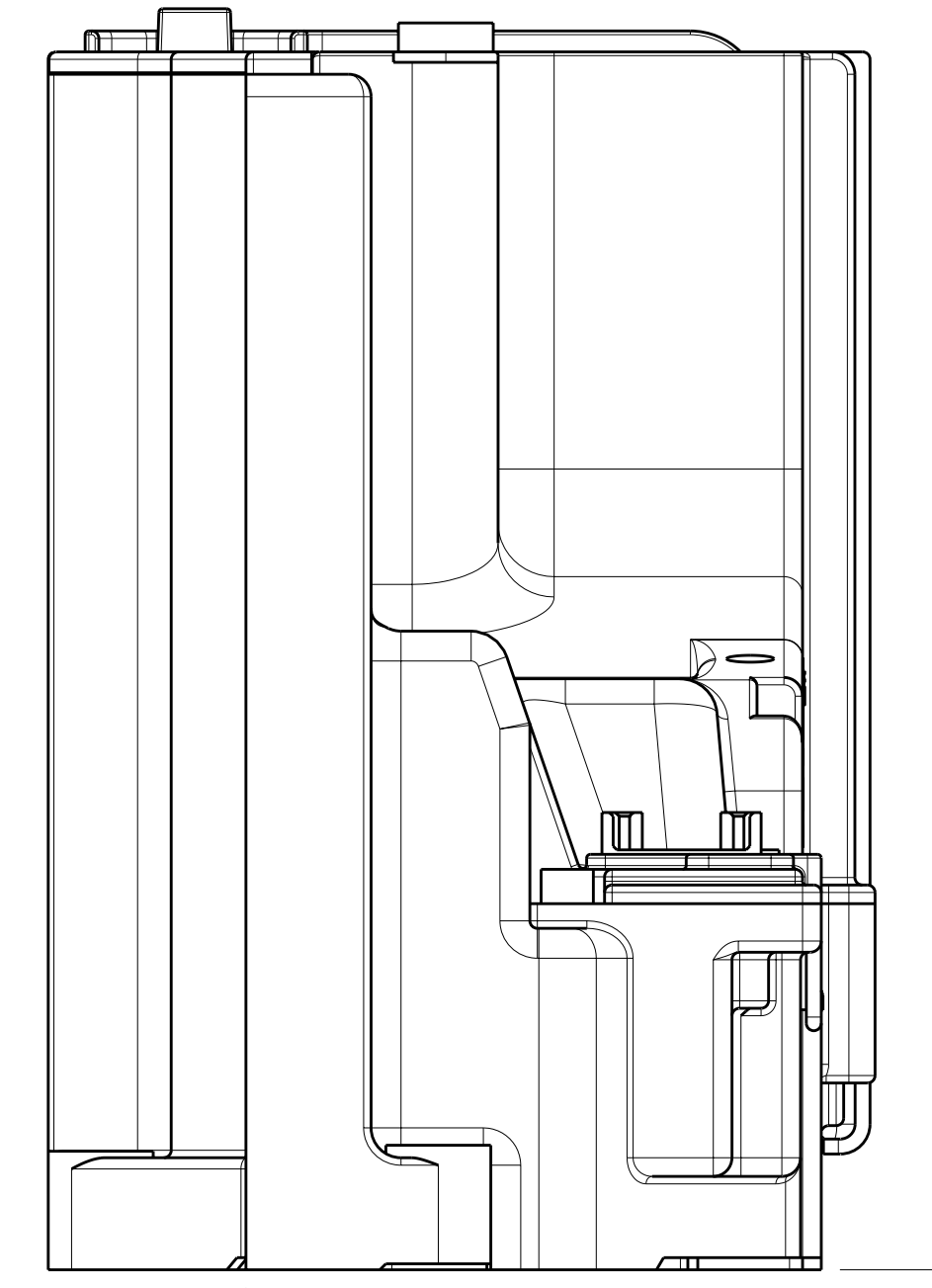
REV	DATE	BY	APPD	DESCRIPTION
1				SEE SHEET 1



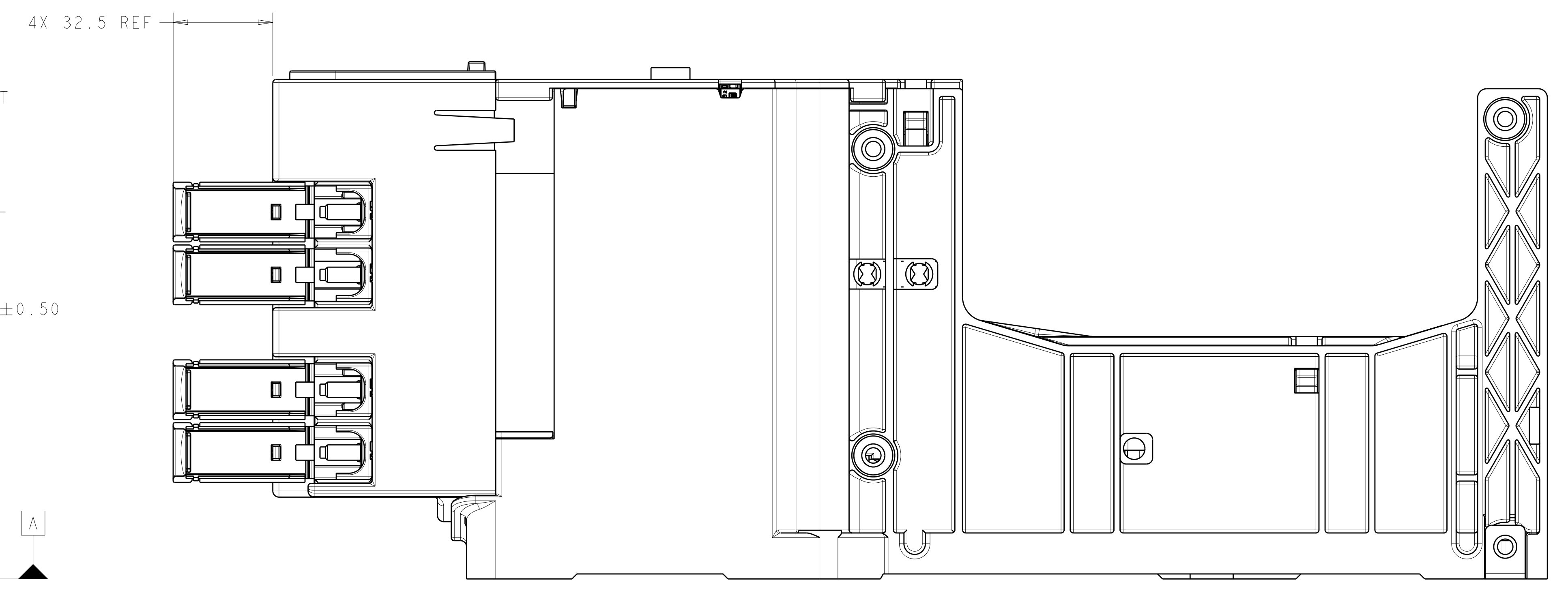
END VIEW SHOWN
W/ BATTERY STUD ACCESS DOORS CLOSED



BACK VIEW SHOWN W/ BATTERY STUD ACCESS DOORS CLOSED



END VIEW SHOWN
W/ BATTERY STUD ACCESS DOORS OPEN



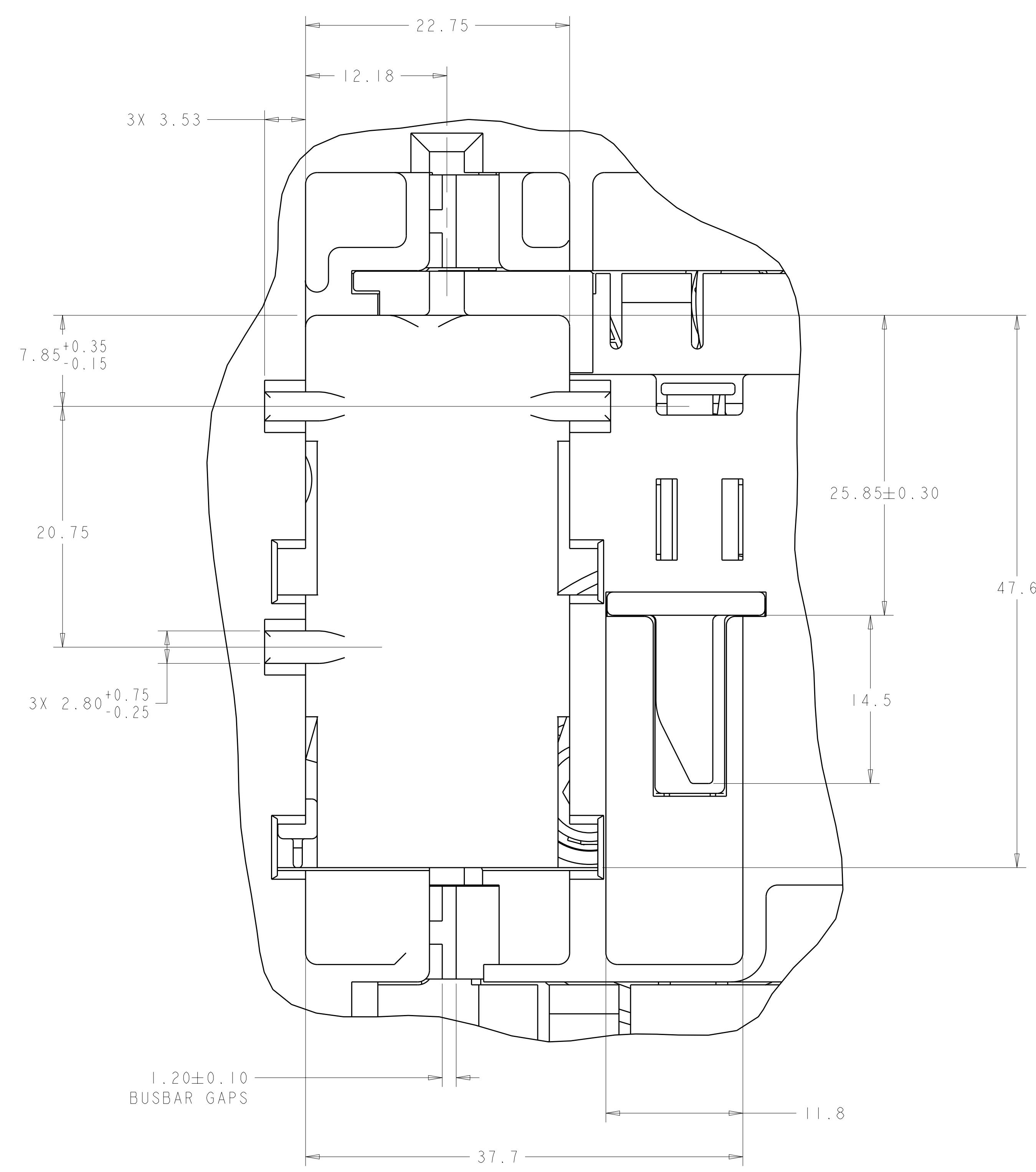
BACK VIEW SHOWN W/ BATTERY STUD ACCESS DOORS OPEN

1587544-1
PART NO.

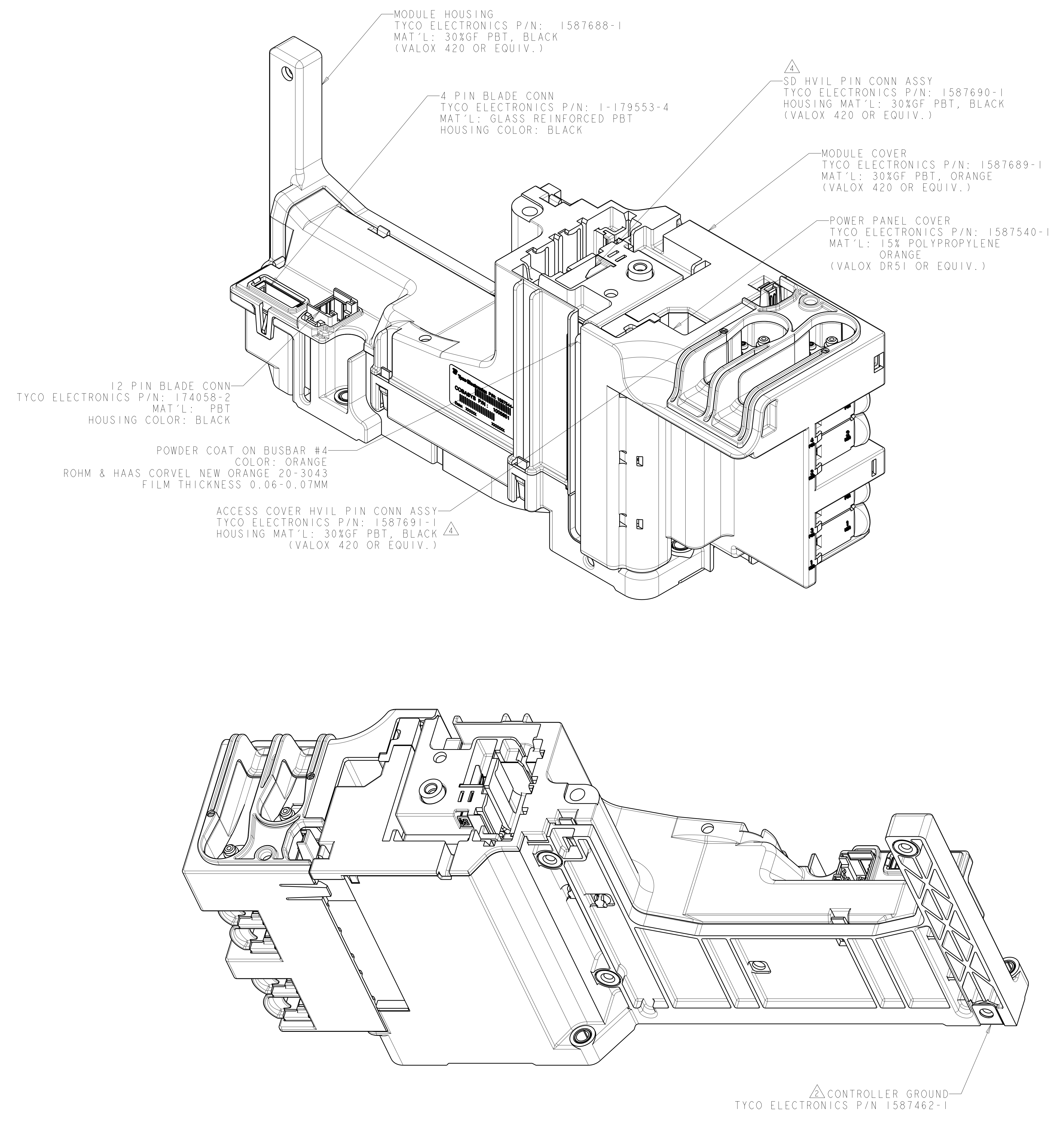
<p>THE INFORMATION CONTAINED IN THIS DRAWING IS THE SOLE PROPERTY OF COBAYO, LLC AND SHALL BE CONSIDERED CONFIDENTIAL. ANY REPRODUCTION IN PART OR AS A WHOLE WITHOUT THE WRITTEN PERMISSION OF COBAYO, LLC IS PROHIBITED. COBAYO, LLC RESERVES THE RIGHT FOR ITS RETURN UPON REQUEST.</p>		<p>STATUS: PART NUMBER: 1005851</p>	<p>REV: A</p>
<p>DATE: 00779</p>		<p>CUSTOMER: BMW</p>	<p>SHEET 2 OF 4</p>
<p>DESIGNER: J. HEAD</p>		<p>ENGINEER: Z. MAROT</p>	<p>DATE: 02/24/2017</p>
<p>DRAWN: J. HEAD</p>		<p>CHECKED: Z. MAROT</p>	<p>BY: J. BOLEWITZ</p>
<p>DATE: 02/24/2017</p>		<p>PROJECT SPEC: CONTROL UNIT ASSEMBLY</p>	<p>APPLICATION SPEC: BMW HEV</p>
<p>MATERIAL: ALUMINUM</p>		<p>FINISH: ANODIZED</p>	<p>SCALE: 1:1</p>
<p>1587544-1</p>		<p>00779</p>	<p>1587544</p>
<p>1587544-1</p>		<p>00779</p>	<p>1587544</p>

REV	DATE	DESCRIPTION	BY	APP'D
00		SEE SHEET 1		

METALLIC INTERFACES				
ITEM#	DESCRIPTION	PLACES	BASE METAL	PLATING
△	M6 X 1 -6H INSERT	4	BRASS	NONE
△	GROUNDING STRAP	1	CI9210 H02	1.27-3.30µm MATTE NICKEL UNDERPLATE, 4-3µm MATTE ELECTROPLATE TIN TOP PLATE
△	COMPRESSION LIMITER	4	CARBON STEEL 1070-1080	ZINC
△	HVIL PIN	4	UNS C26000 ASTM H04 HARD	2µm NICKEL UNDERPLATE, 0.8-1.0µm ELECTRODEPOSITED GOLD ON CONTACTS
△	BUSBAR FOR FUSE (2 & 3)	2	CI9210 H02	1.27-3.30µm MATTE NICKEL UNDERPLATE, 4-3µm MATTE ELECTROPLATE TIN TOP PLATE
△	BATTERY CONNECTIONS	4	BUSBARS: CI1000 STUD: MED CARBON STEEL PER ANSI B1.1, 2A ANSI/ASME B1.13M 6g	BUSBARS: 1.27-3.30µm MATTE NICKEL UNDERPLATE, 4-3µm MATTE ELECTROPLATE TIN TOP PLATE STUD: ZINC+ CLEAR CHROMATE PER ASTM B 633 SCI
△	POWER CONNECTIONS	2	BUSBARS: CI1000 STUD: MED CARBON STEEL PER ANSI B1.1, 2A ANSI/ASME B1.13M 6g	BUSBARS: 1.27-3.30µm MATTE NICKEL UNDERPLATE, 4-3µm MATTE ELECTROPLATE TIN TOP PLATE STUD: ZINC+ CLEAR CHROMATE PER ASTM B 633 SCI
△	GROUNDING BUSBAR	1	CI1000	1.27-3.30µm MATTE NICKEL UNDERPLATE, 4-3µm MATTE ELECTROPLATE TIN TOP PLATE
△	4-PIN CONNECTOR	4	BRASS	0.8µm REFLOW TIN
△	12-PIN CONNECTOR	10	BRASS	PRE-TIN
△	M6 X 1 -6H INSERT - CUSTOM	1	BRASS	NONE



DETAIL A
SCALE 4:1



1587544-1
PART NO.

THE INFORMATION CONTAINED IN THIS DRAWING IS THE SOLE PROPERTY OF COBASYS, LLC AND SHALL BE CONSIDERED CONFIDENTIAL. ANY REPRODUCTION IN PART OR AS A WHOLE WITHOUT THE WRITTEN PERMISSION OF COBASYS, LLC IS PROHIBITED. COBASYS, LLC RESERVES THE RIGHT FOR ITS RETURN UPON REQUEST.

STATUS (PART NUMBER): V 1005851
 SIZE: CUSTOMER: -
 CUSTOMER: -
 SHEET 3 OF 4

TYCO ELECTRONICS Tyco Electronics Harrisburg, PA 17105-3608

CONTROL UNIT ASSEMBLY
BMW HEV

SCALE: 1:1 SHEET 3 OF 4 REV 0

