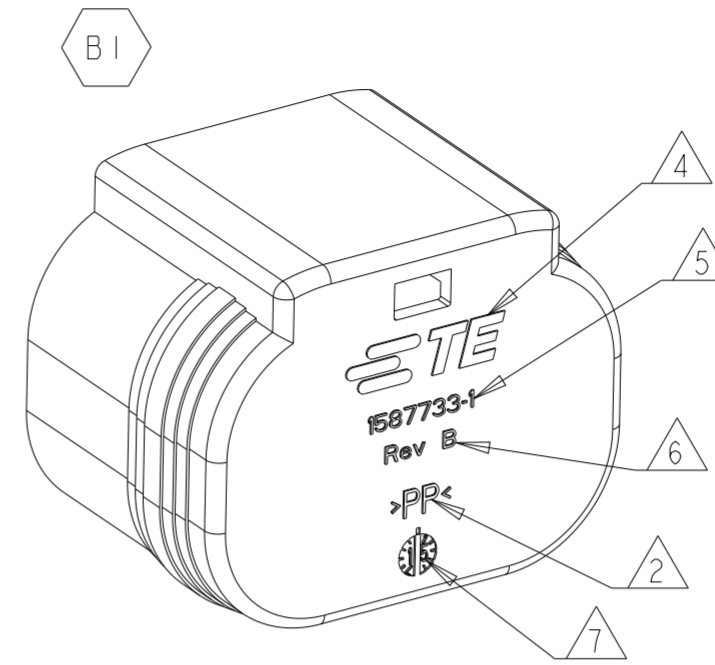
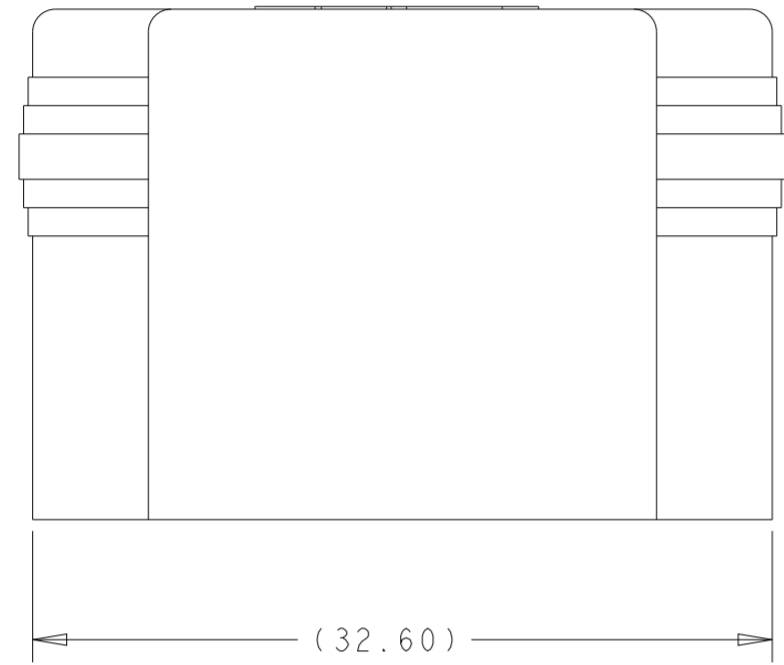
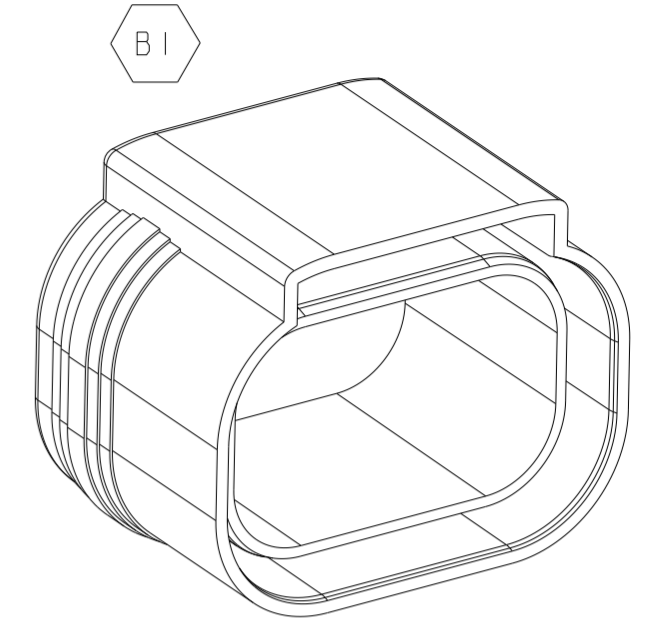


THIS DRAWING IS UNPUBLISHED. RELEASED FOR PUBLICATION 20
 © COPYRIGHT 20 BY TYCO ELECTRONICS CORPORATION. ALL RIGHTS RESERVED.

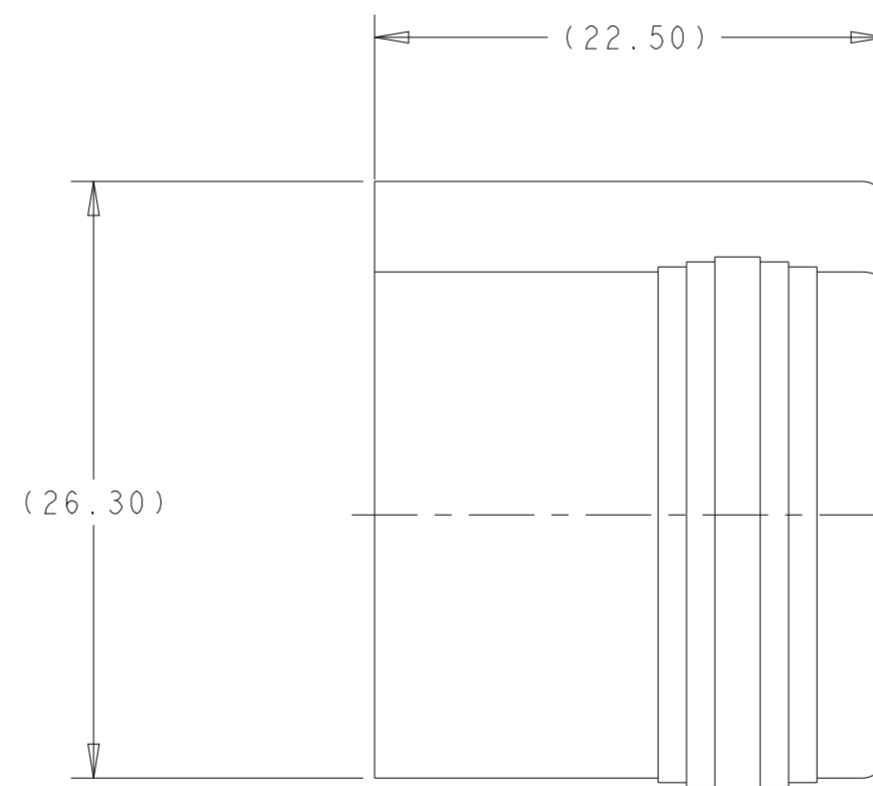
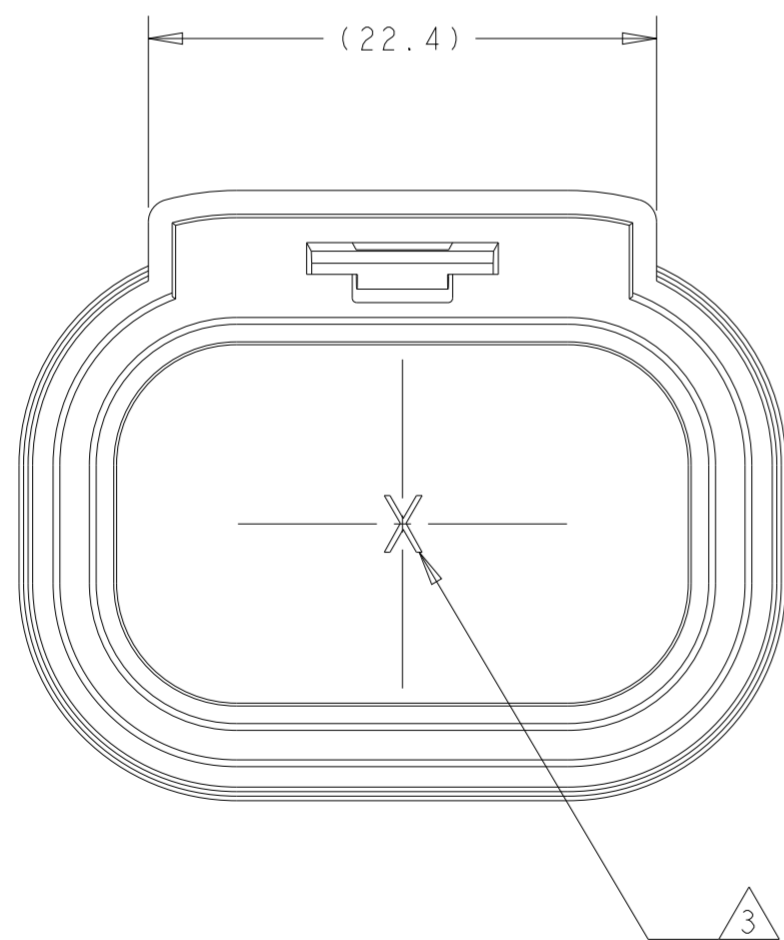
LOC	DIST	REVISIONS			
P	LTR	DESCRIPTION	DATE	DWN	APVD
		A	RELEASED PER ECR-09-018822	21AUG2009	TD TD
		B	MODIFIED PER ECR-09-027346	15DEC2009	TD TD
		BI	REVISED PER ECN-23-215521	01JUN2023	AK SS



SCALE 2:1



SCALE 2:1



- B 1 MATERIAL:
TYPE: POLYPROPYLENE
COLOR: NATURAL
- 2 RECYCLE CODE ">PP<" TO BE SHOWN ON THIS SURFACE
- 3 MOLD CAVITY ID TO BE SHOWN IN THIS AREA
- BI 4 TE TRADE MARK ON THIS SURFACE
- BI 5 TE PART NUMBER SHOWN IN THIS AREA
- BI 6 LETTER INSERT FOR PART REVISION SHOWN ON THIS AREA
- BI 7 PRODUCTION DATE SHOWN ON THIS AREA

1587733-1
TE P/N

THIS DRAWING IS A CONTROLLED DOCUMENT FOR TYCO ELECTRONICS CORPORATION IT IS SUBJECT TO CHANGE AND THE CONTROLLING ENGINEERING ORGANIZATION SHOULD BE CONTACTED FOR THE LATEST REVISION.		DWN I DEWILITE 09MAY2008	Tyco Electronics Harrisburg, PA 17105-3608	
DIMENSIONS: mm		CHK I DEWILITE 09MAY2008	NAME HVA280 HEADER SHIPPING CAP	
TOLERANCES UNLESS OTHERWISE SPECIFIED: 0 PLC ± 1 PLC ±0.15 2 PLC ±0.1 3 PLC ±0.05 4 PLC ± ANGLES ±1° FINISH		APVD I DEWILITE 09MAY2008	PRODUCT SPEC -	
MATERIAL -		APPLICATION SPEC -	SIZE A200779	CAGE CODE C-1587733
		WEIGHT -	DRAWING NO G-1587733	RESTRICTED TO
		CUSTOMER DRAWING	SCALE 3:1	SHEET 1 OF 1 REV BI