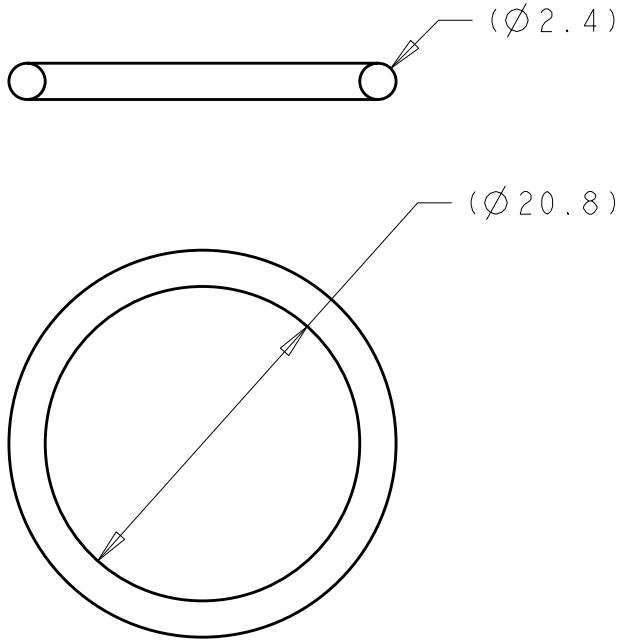


LOC	DIST	REVISIONS					
HV	00	P	LTR	DESCRIPTION	DATE	DWN	APVD
			A	INITIAL DRAWING	04AUG2011	DS	YS




**MATERIAL : SILICONE**  
**COLOR: RUST**  
**DUROMETER: 70**



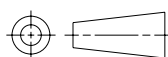
2. DIMENSIONS ARE FREE STATE
3. PART MUST BE FREE OF EXCESSIVE FLASH, MISMATCH, STAINS, SINK MARKS OR OTHER VISUAL IMPERFECTIONS THAT MAY AFFECT PRODUCT FIT OR FUNCTION.

20  
RELEASED FOR PUBLICATION

ALL RIGHTS RESERVED.  
BY TYCO ELECTRONICS CORPORATION  
COPYRIGHT 20

THIS DRAWING IS UNPUBLISHED.

1587837-1  
PART NO

DIMENSIONS: mm	DWN D SIMPSON	04AUG2011	MATERIAL		FINISH	-
	CHK Y SOONAVALA	04AUG2011	 TE Connectivity			
TOLERANCES UNLESS OTHERWISE SPECIFIED:	APVD A GUANCO	04AUG2011				
0 PLC ±-	PRODUCT SPEC	-	NAME O-Ring Seal			
1 PLC ±0.5	APPLICATION SPEC	-	SIZE	CAGE CODE	DRAWING NO	RESTRICTED TO
2 PLC ±0.13			A 4	00779	C-1587837	-
3 PLC ±0.013			WEIGHT 0.42 g			
4 PLC ±0.0001			CUSTOMER DRAWING			
ANGLES ±-			SCALE	SHEET	OF	REV
			2:1	1	1	A