

THIS DRAWING IS UNPUBLISHED. RELEASED FOR PUBLICATION
 © COPYRIGHT BY TYCO ELECTRONICS CORPORATION. ALL RIGHTS RESERVED.

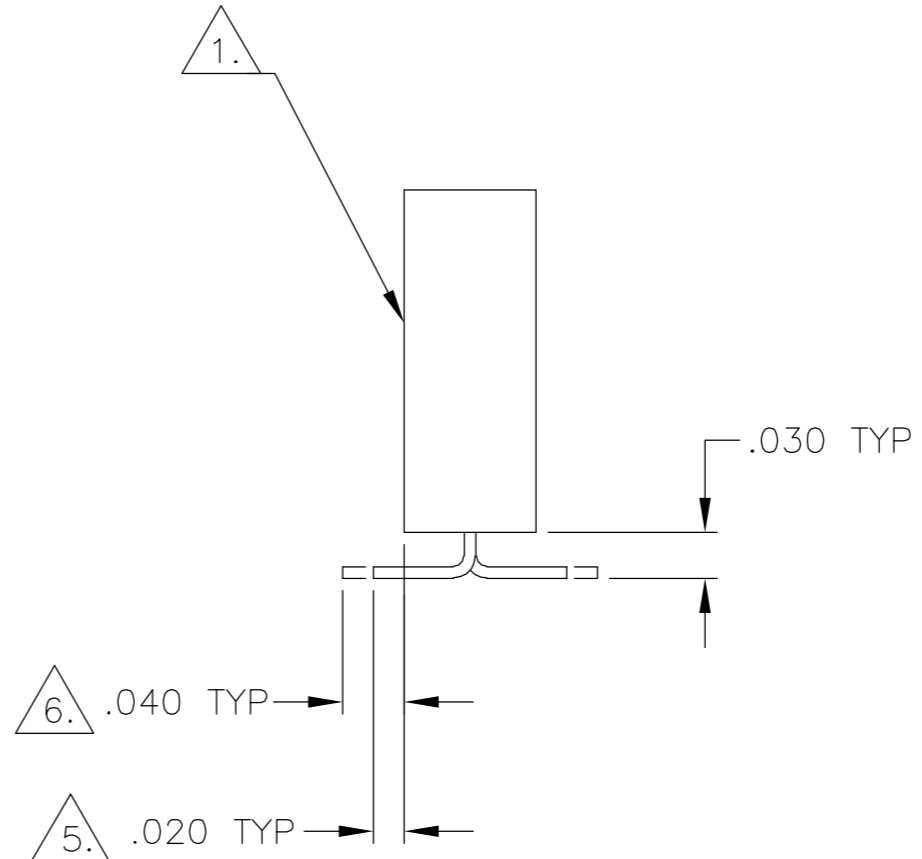
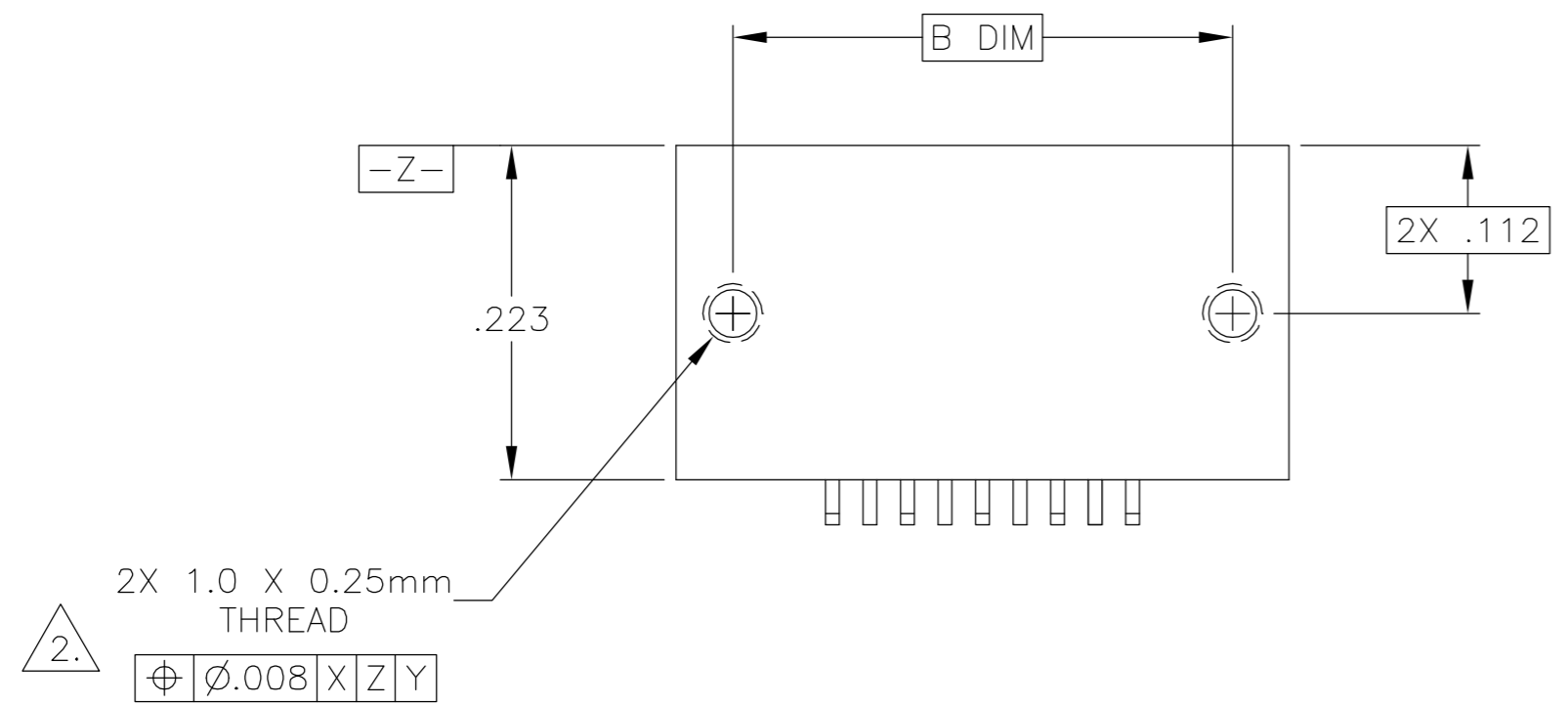
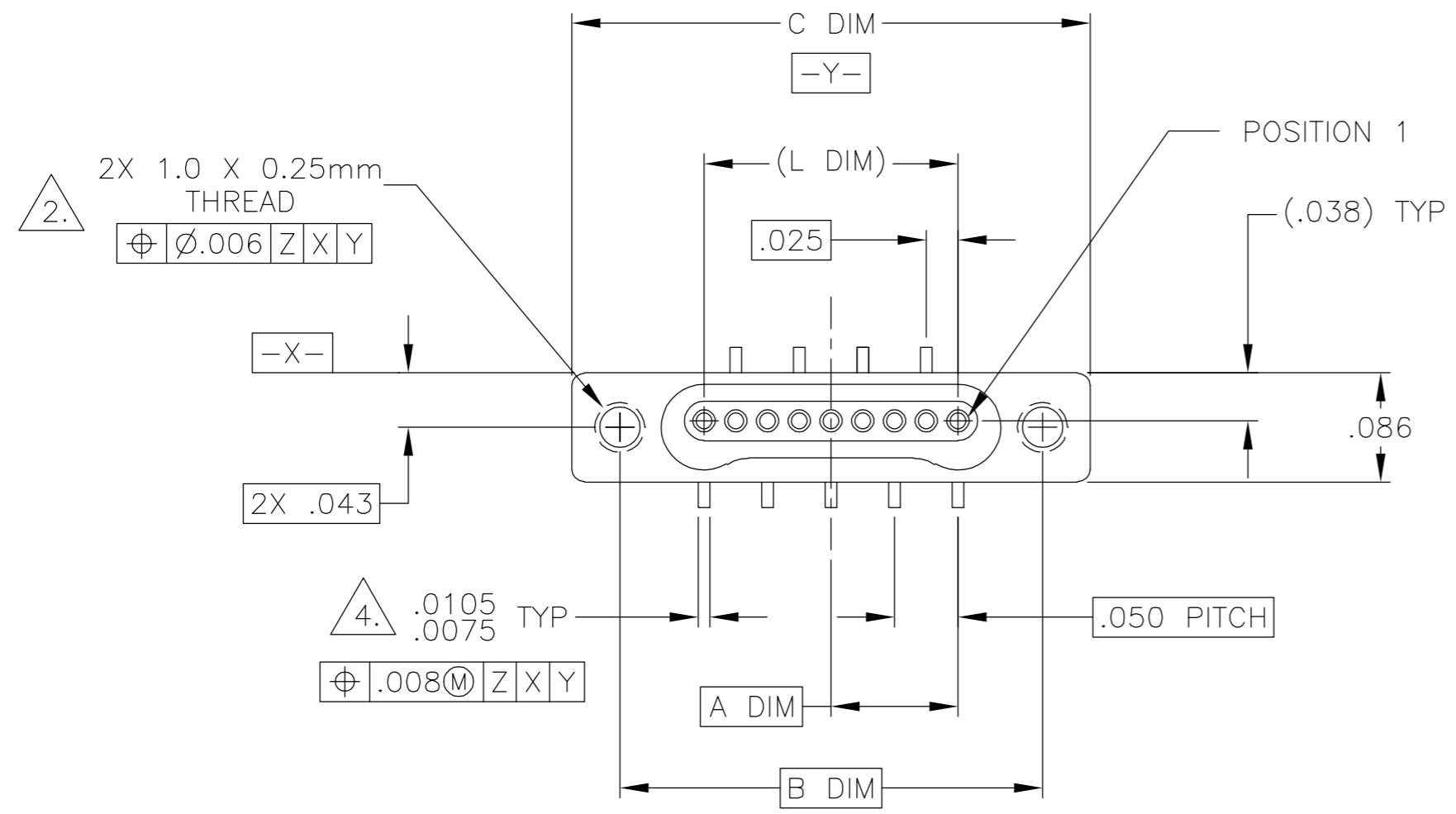
LOC	DIST	REVISIONS					
DF	D0	P	LTR	DESCRIPTION	DATE	DWN	APVD
		G		UPDATE PER 0H2Y-0164-04	05-12-04	JDM	MKS

D

C

B

A



SIZE	A DIM	B DIM	C DIM ±.0050	(L DIM)
05	.050	.233	.3085	(.100)
09	.100	.333	.4085	(.200)
15	.175	.483	.5585	(.350)
25	.300	.733	.8085	(.600)
37	.450	1.033	1.1085	(.900)
51	.625	1.383	1.4585	(1.250)

1. SHELL OPTIONS (TO BE SPECIFIED IN NANONICS PART NUMBER):
 METAL: 6061-T6 ALUMINUM, ELECTROLESS NICKEL PLATED PER MIL-C-26074 (STANDARD) OR GOLD PLATED PER MIL-G-45204
 303 STAINLESS STEEL, PASSIVATED PER SAE-AMS-QQ-P-35
 INSULATOR MATERIAL FOR ALL METAL SHELLS IS LIQUID CRYSTAL POLYMER (LCP) PER MIL-M-24519 OR PER ASTM D5138
 PLASTIC: LIQUID CRYSTAL POLYMER (LCP) PER MIL-M-24519 OR PER ASTM D5138
2. STANDARD 1.0 X 0.25mm JACKSCREW AND MOUNTING THREADS ARE SHOWN FOR REFERENCE ONLY AND MUST BE SPECIFIED IN THE NANONICS PART NUMBER WHEN REQUIRED. 1.2 X 0.25mm THREADS ALSO AVAILABLE.
3. MOUNTING HARDWARE IS AVAILABLE WITH THIS CONFIGURATION (NOT SHOWN). HARDWARE MUST BE SPECIFIED IN THE NANONICS PART NUMBER. CONSULT TYCO ELECTRONICS FOR DETAILS.
4. SMT LEADS ARE BeCu, TIN LEAD PLATED 60/40 COMPOSITION PER SAE-AMS-P-81728
5. NANONICS TERMINATION CODE: L43 6. NANONICS TERMINATION CODE: L45
7. THIS DRAWING PREVIOUSLY IDENTIFIED AS NANONICS N10138/136

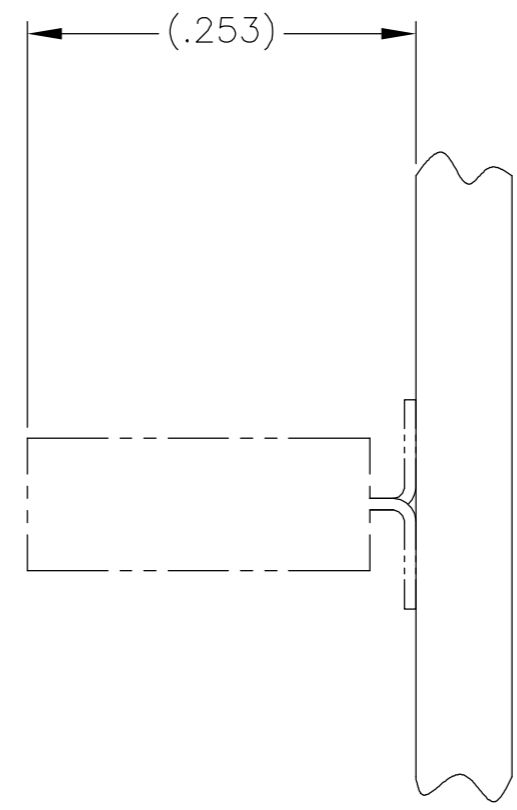
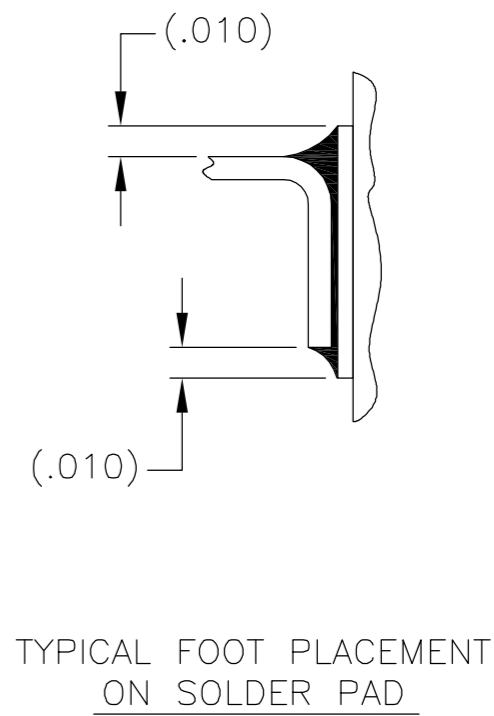
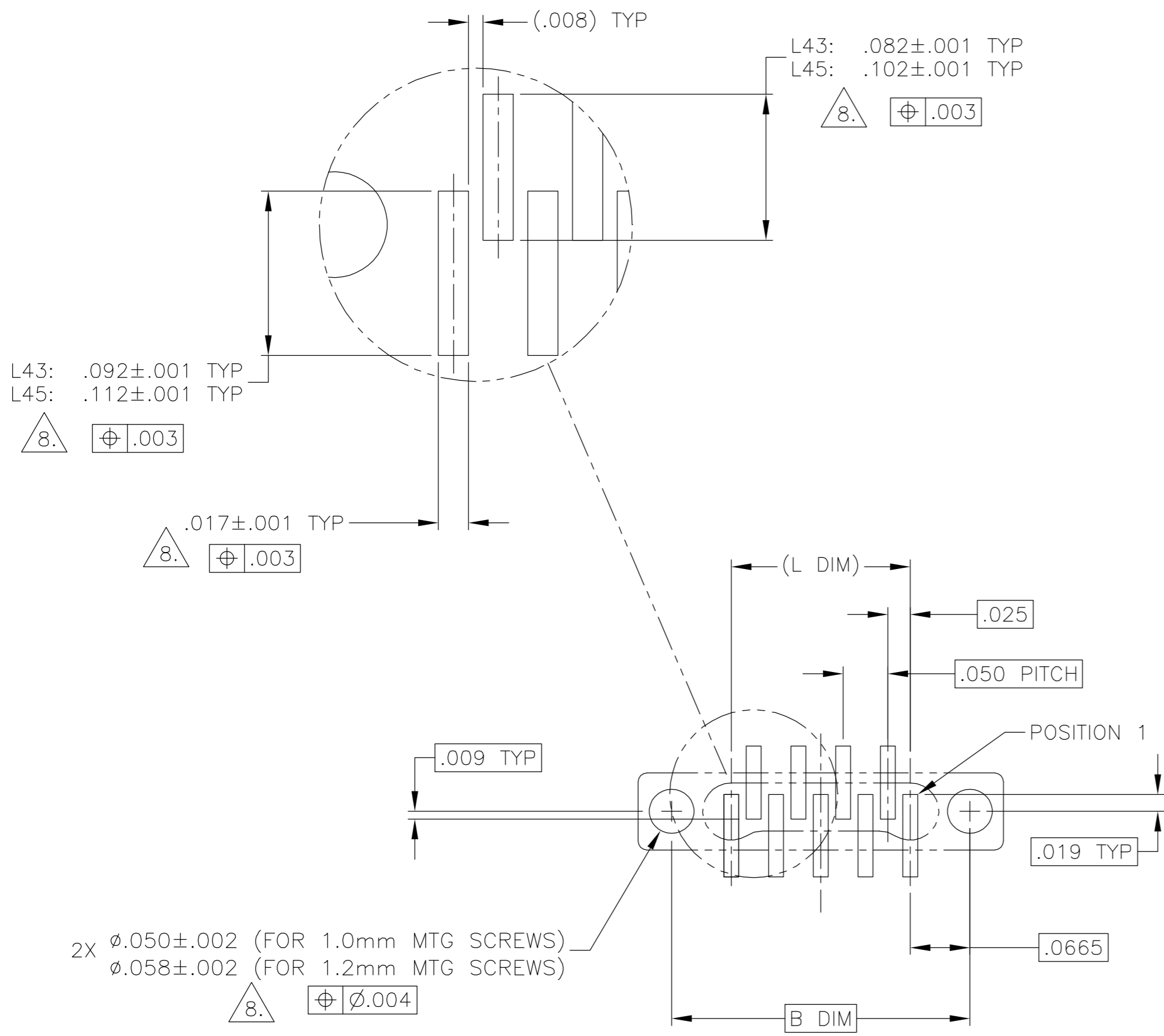
THIS DRAWING IS A CONTROLLED DOCUMENT.		DWN D. RYAN	03-01-96	tyco Electronics	Tyco Electronics Corporation Harrisburg, PA 17105		
DIMENSIONS: INCHES		CHK G. FRANKLIN	04-04-01		NAME M. STORRY		
TOLERANCES UNLESS OTHERWISE SPECIFIED:		APVD M. STORRY		PRODUCT SPEC			
0 PLC ± -		APPLICATION SPEC		SIZE			
1 PLC ± -		WEIGHT		CAGE CODE			
2 PLC ± .010		CUSTOMER DRAWING		DRAWING NO			
3 PLC ± .005		SCALE 8:1		RESTRICTED TO			
4 PLC ± -		SHEET 1 OF 2		A2 00779 C=1589464			
ANGLES ± 1°		REV G					
FINISH							
SEE NOTES							

1589464

A

THIS DRAWING IS UNPUBLISHED. RELEASED FOR PUBLICATION
 © COPYRIGHT BY TYCO ELECTRONICS CORPORATION. ALL RIGHTS RESERVED.

LOC		DIST		REVISIONS			
P	LTR	DESCRIPTION		DATE	DWN	APVD	
	G	UPDATE PER 0H2Y-0164-04		05-12-04	JDM	MKS	



SIZE 09 SHOWN FOR REFERENCE

TYPICAL PCB LAYOUT

8. POSITIONAL TOLERANCES FOR BASIC DIMENSIONED FEATURES ARE RELATIVE TO FIDUCIALS OR SOME SIMILAR DATUM REFERENCE DEFINED BY THE PCB DESIGNER.

THIS DRAWING IS A CONTROLLED DOCUMENT.		DWN D. RYAN 03-01-96	Tyco Electronics Corporation Harrisburg, PA 17105	
DIMENSIONS: INCHES		CHK G. FRANKLIN 03-01-96	NAME	
TOLERANCES UNLESS OTHERWISE SPECIFIED:		APVD M. STORRY 04-03-01	RECEPTACLE ASSEMBLY, VERTICAL SURFACE MOUNT, ALTERNATING LEADS, SINGLE ROW DUALLOBE, PLASTIC OR METAL	
0 PLC ± - 1 PLC ± - 2 PLC ± .010 3 PLC ± .005 4 PLC ± - ANGLES ± 1°		PRODUCT SPEC	SIZE	RESTRICTED TO
MATERIAL		APPLICATION SPEC	CAGE CODE	
FINISH		WEIGHT	DRAWING NO	
		CUSTOMER DRAWING	A2 00779	SCALE 8:1
			1589464	SHEET 2 OF 2
				REV G