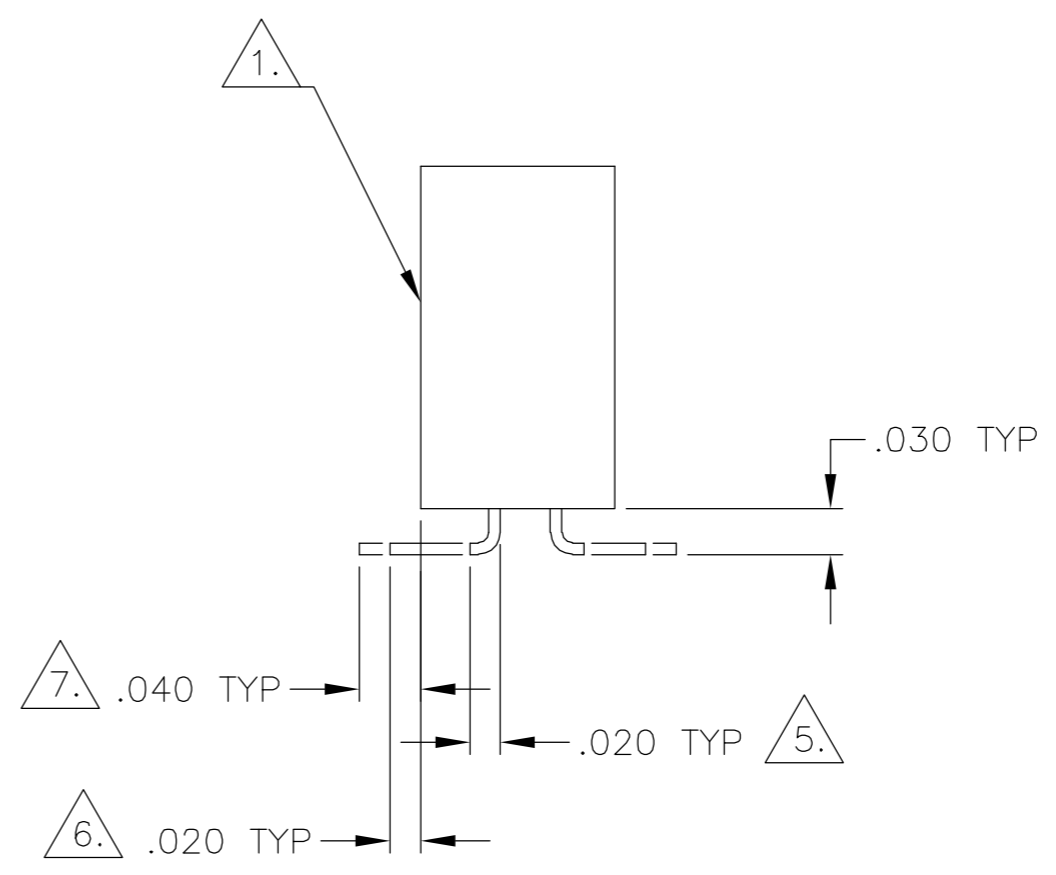
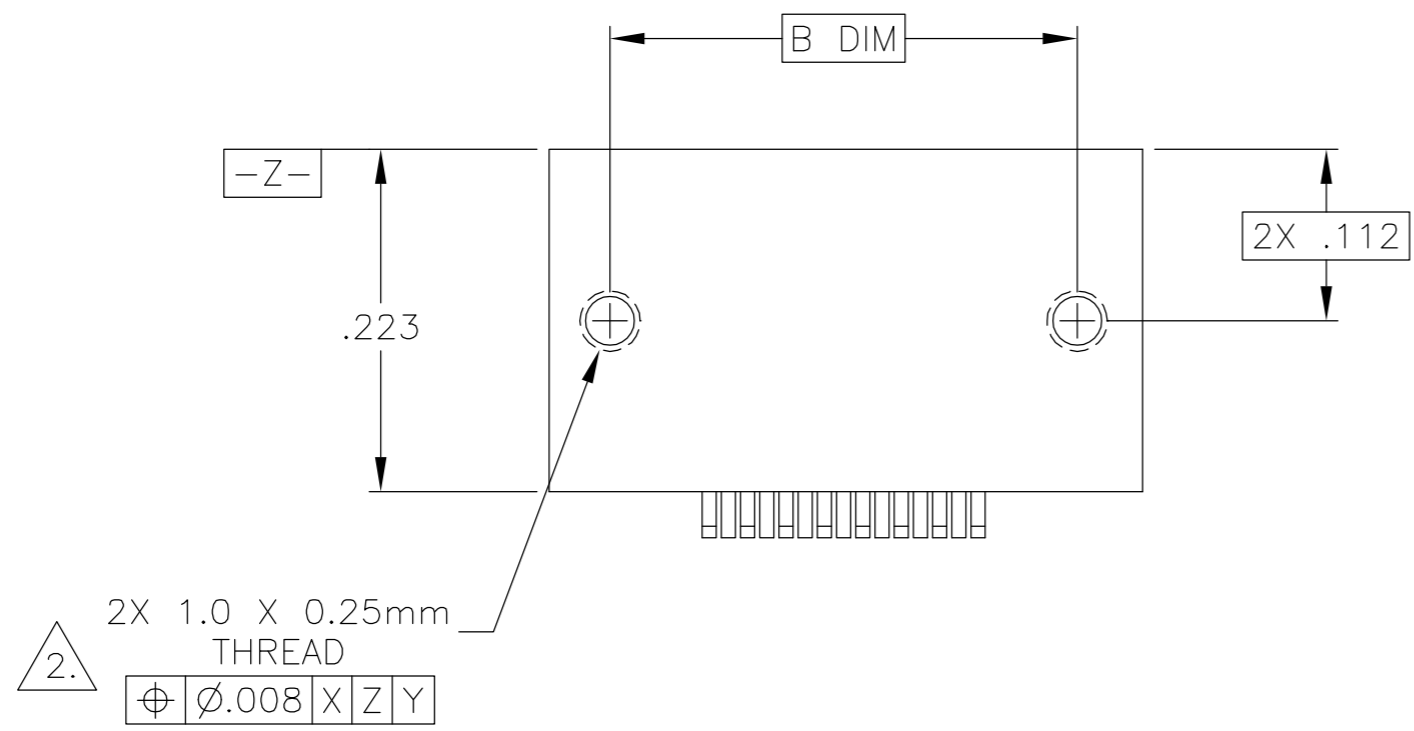
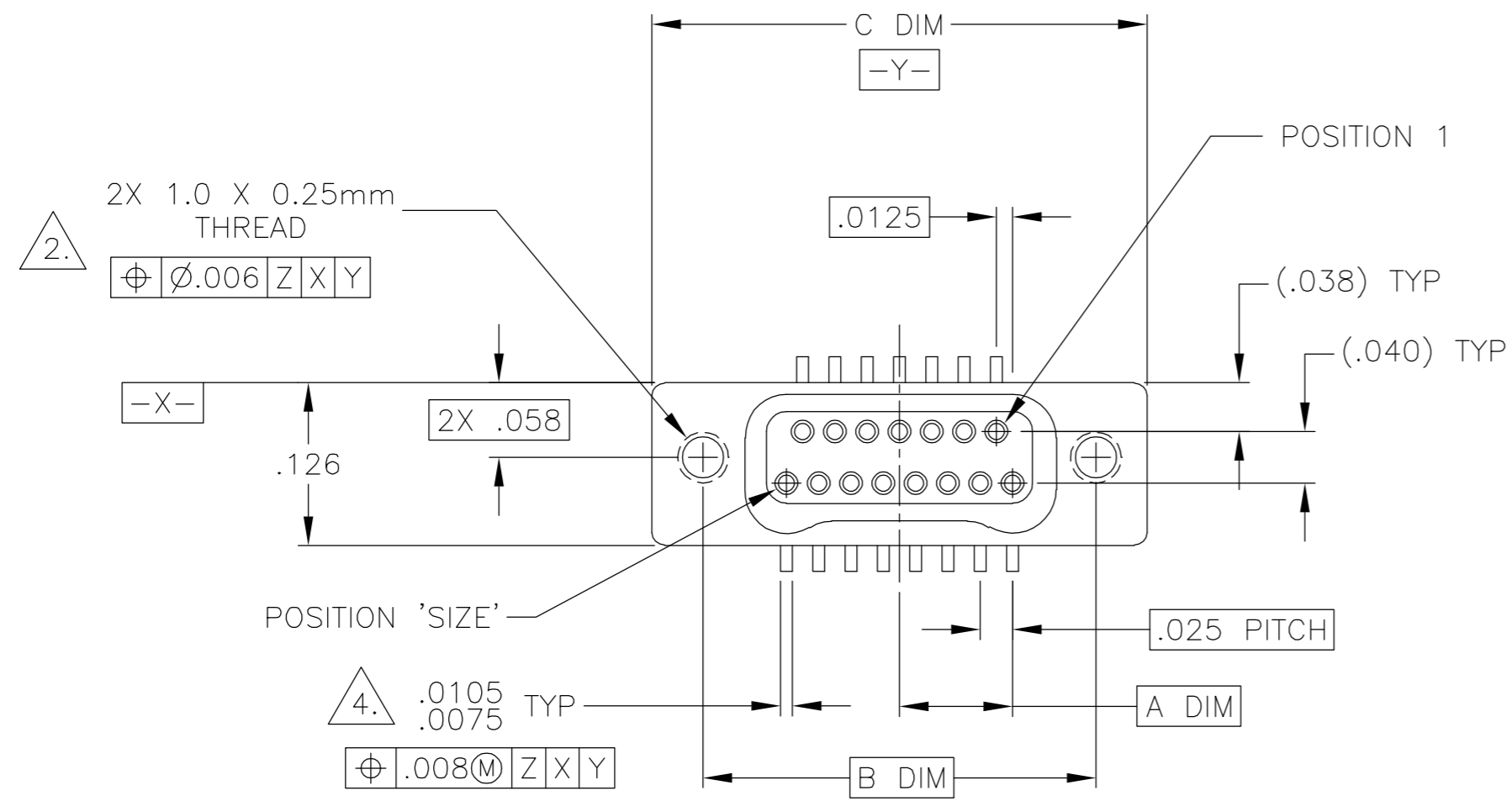


THIS DRAWING IS UNPUBLISHED. RELEASED FOR PUBLICATION
 © COPYRIGHT BY TYCO ELECTRONICS CORPORATION. ALL RIGHTS RESERVED.

LOC	DIST	REVISIONS					
DF	DO	P	LTR	DESCRIPTION	DATE	DWN	APVD
		B		UPDATE PER 0H2Y-0164-04	12 MAY 04	CAS	MKS

SIZE	A DIM	B DIM	C DIM ±.0050	(L DIM)
09	.050	.229	.3085	(.100)
15	.0875	.304	.3835	(.175)
25	.150	.429	.5085	(.300)
37	.225	.579	.6585	(.450)
51	.3125	.754	.8335	(.625)
65	.400	.929	1.0085	(.800)

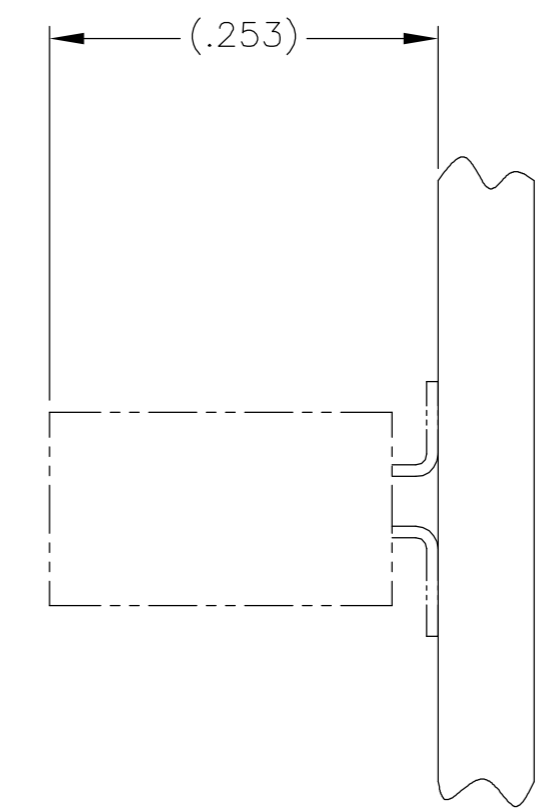
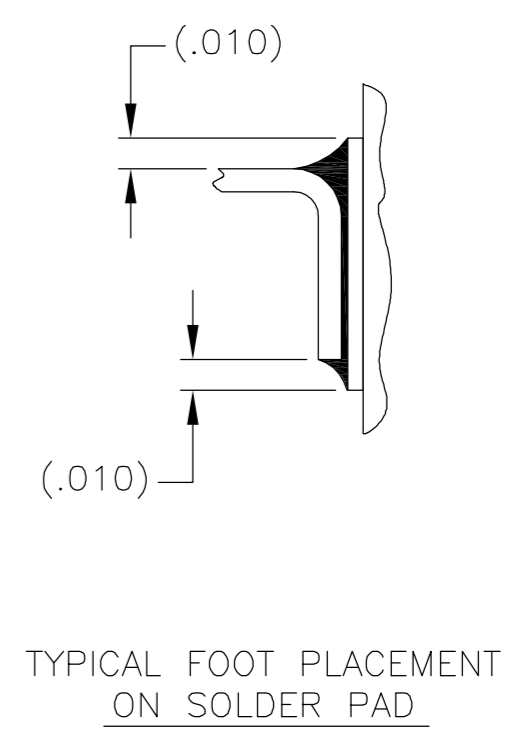
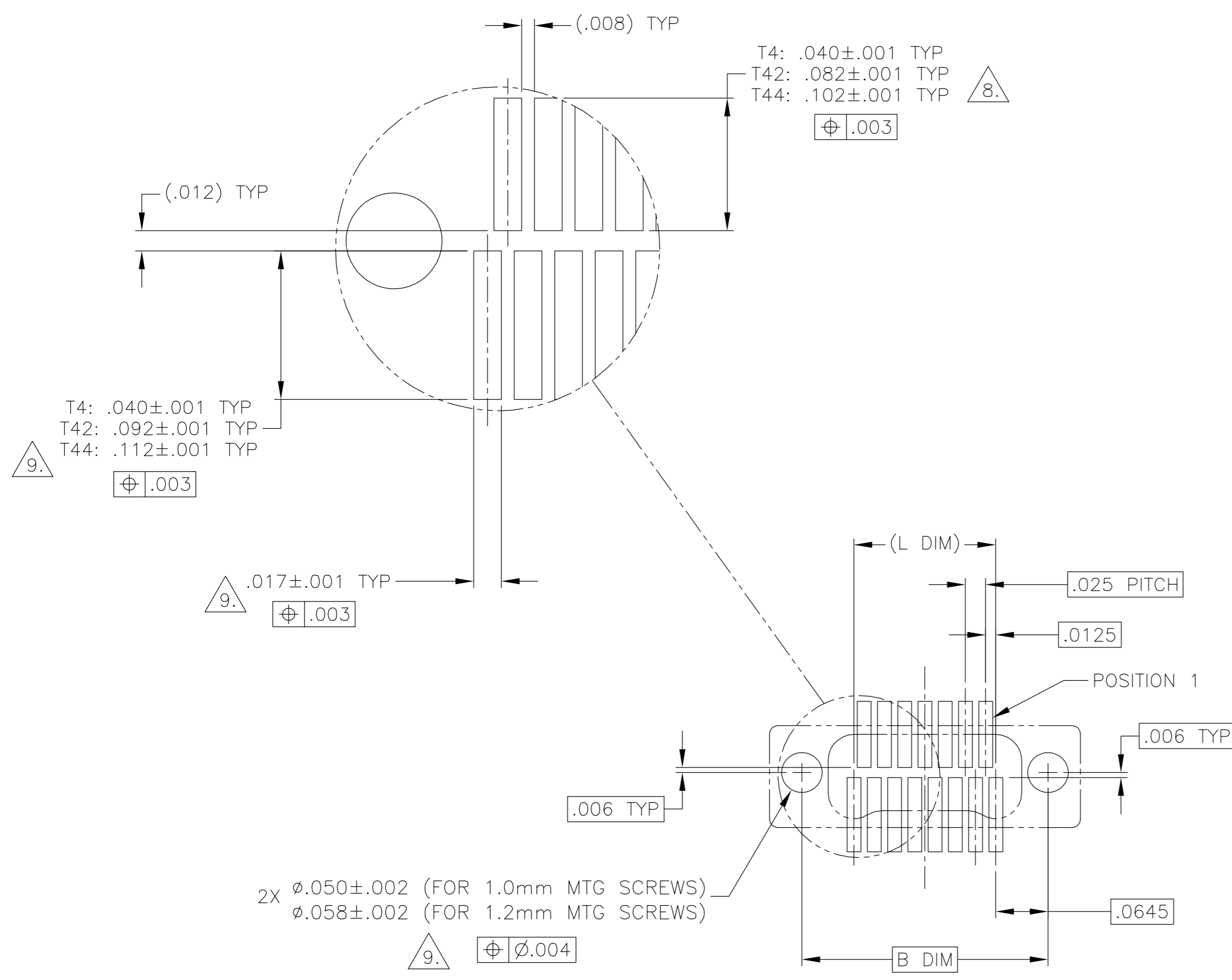


- 1. SHELL OPTIONS (TO BE SPECIFIED IN NANONICS PART NUMBER):
 METAL: 6061-T6 ALUMINUM, ELECTROLESS NICKEL PLATED PER MIL-C-26074 (STANDARD) OR GOLD PLATED PER MIL-G-45204
 303 STAINLESS STEEL, PASSIVATED PER SAE-AMS-QQ-P-35
 INSULATOR MATERIAL FOR ALL METAL SHELLS IS LIQUID CRYSTAL POLYMER (LCP) PER MIL-M-24519 OR PER ASTM D5138
 PLASTIC: LIQUID CRYSTAL POLYMER (LCP) PER MIL-M-24519 OR PER ASTM D5138
- 2. STANDARD 1.0 X 0.25mm MOUNTING AND JACKSCREW THREADS ARE SHOWN FOR REFERENCE ONLY AND MUST BE SPECIFIED IN THE NANONICS PART NUMBER WHEN REQUIRED. 1.2 X 0.25mm THREADS ALSO AVAILABLE.
- 3. MOUNTING HARDWARE IS AVAILABLE WITH THIS CONFIGURATION (NOT SHOWN). HARDWARE MUST BE SPECIFIED IN THE NANONICS PART NUMBER. CONSULT TYCO ELECTRONICS FOR DETAILS.
- 4. SMT LEADS ARE BeCu, GOLD PLATED PER MIL-G-45204 OVER NICKEL PLATE PER SAE-AMS-QQ-N-290
- 5. NANONICS TERMINATION CODE: T4 6. NANONICS TERMINATION CODE: T42 7. NANONICS TERMINATION CODE: T44
- 8. THIS DRAWING PREVIOUSLY IDENTIFIED AS NANONICS N10138/233

THIS DRAWING IS A CONTROLLED DOCUMENT.		DWN C. SCHOLL 8 AUG 03	Tyco Electronics Corporation Harrisburg, PA 17105
DIMENSIONS: INCHES		CHK M. STORRY 8 AUG 03	
TOLERANCES UNLESS OTHERWISE SPECIFIED:		APVD -	NAME
0 PLC ± - 1 PLC ± - 2 PLC ± .010 3 PLC ± .005 4 PLC ± - ANGLES ± 1		PRODUCT SPEC -	RECEPTACLE ASSEMBLY, VERTICAL SURFACE MOUNT, TWO ROW DUALLOBE, GOLD PLATED LEADS, PLASTIC OR METAL
MATERIAL SEE NOTES		FINISH SEE NOTES	SCALE 8:1
SEE NOTES		WEIGHT -	SHEET 1 OF 2
CUSTOMER DRAWING		SIZE A2	RESTRICTED TO
		CAGE CODE 00779	REV B
		DRAWING NO C=1589816	

THIS DRAWING IS UNPUBLISHED. RELEASED FOR PUBLICATION
 © COPYRIGHT BY TYCO ELECTRONICS CORPORATION. ALL RIGHTS RESERVED.

LOC	DIST	REVISIONS					
DF	DO	P	LTR	DESCRIPTION	DATE	DWN	APVD
		B		UPDATE PER 0H2Y-0164-04	12 MAY 04	CAS	MKS



2X $\phi .050 \pm .002$ (FOR 1.0mm MTG SCREWS)
 $\phi .058 \pm .002$ (FOR 1.2mm MTG SCREWS)
 Feature 9: $\phi \varnothing .004$

SIZE 15 SHOWN FOR REFERENCE
 TYPICAL PCB LAYOUT

9. POSITIONAL TOLERANCES FOR BASIC DIMENSIONED FEATURES ARE RELATIVE TO FIDUCIALS OR SOME SIMILAR DATUM REFERENCE DEFINED BY THE PCB DESIGNER.

THIS DRAWING IS A CONTROLLED DOCUMENT.		DWN C. SCHOLL 8 AUG 03	Tyco Electronics Corporation Harrisburg, PA 17105	
DIMENSIONS: INCHES	TOLERANCES UNLESS OTHERWISE SPECIFIED:	CHK M. STORRY 8 AUG 03	NAME	
	0 PLC ± -	APVD -	RECEPTACLE ASSEMBLY, VERTICAL SURFACE	
	1 PLC ± -	PRODUCT SPEC -	MOUNT, TWO ROW DUALLOBE, GOLD	
	2 PLC ± -	APPLICATION SPEC -	PLATED LEADS, PLASTIC OR METAL	
	3 PLC ± -	FINISH -	SIZE A2	CAGE CODE 00779
MATERIAL -	FINISH -	WEIGHT -	SCALE 8:1	SHEET 2 OF 2
CUSTOMER DRAWING			RESTRICTED TO -	REV B