

4

3

2

1

THIS DRAWING IS UNPUBLISHED.

RELEASED FOR PUBLICATION

20

© COPYRIGHT 20

ALL RIGHTS RESERVED.

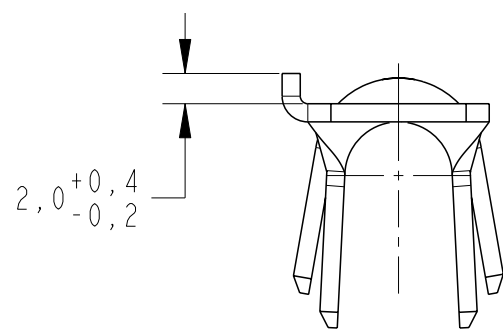
LOC  
APDIST  
-

REVISIONS

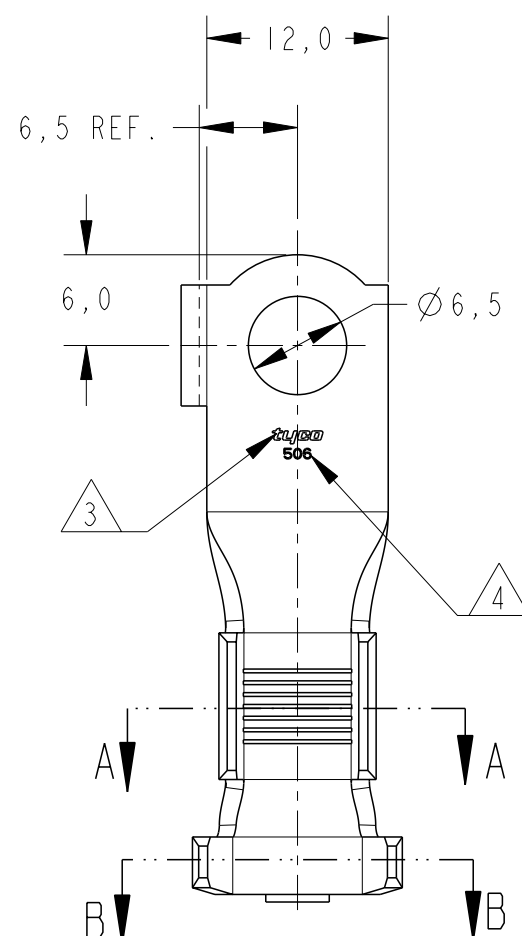
P	LTR	DESCRIPTION	DATE	DWN	APVD
	D	CHANGE STATUS ECO-12-022023	04JAN2013	NCL	DAO
	DI	MATERIAL REVISION ECO-13-006260	11APR2013	NCL	DAO



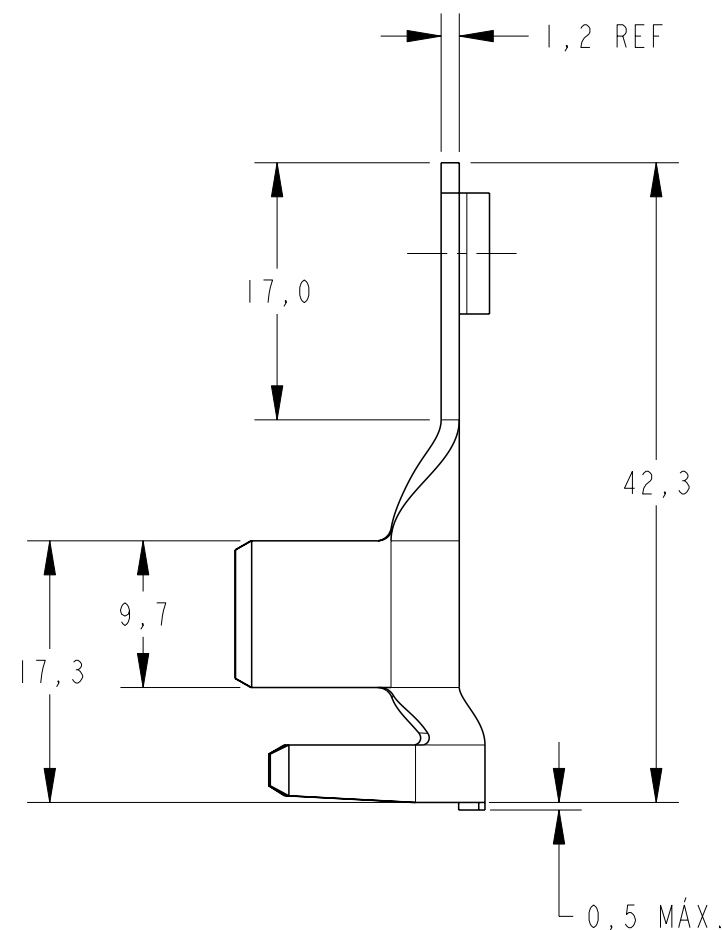
**DO NOT REVISE  
EXCEPT BY CAD**



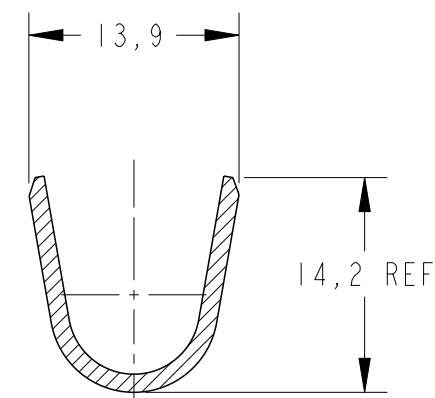
2,0<sup>+0,4</sup>  
-0,2



12,0  
6,5 REF.  
6,0  
Ø 6,5  
506  
3  
4  
A  
A  
B  
B

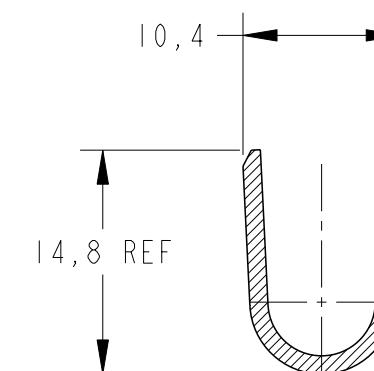


1,2 REF  
17,0  
42,3  
9,7  
17,3  
0,5 MÁX.



13,9  
14,2 REF

SECTION B-B



10,4  
14,8 REF

SECTION A-A

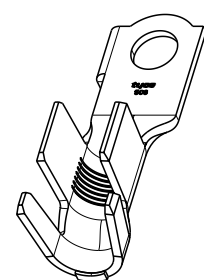
1 LATÃO CuZn30 1/2 DURO  
BRASS CuZn30 1/2 HARD.

2 ACABAMENTO PÓS-ESTANHADO COM ESPESSURA DE CAMADA DE 8µm A 15µm,  
AFTER TINNED FINISH WITH THICKNESS 8µm TO 15µm

3 GRAVAÇÃO DE LOGOTIPO TE EM BAIXO RELEVO,  
TE LOGO MARKING IN LOW RELIEF

4 GRAVAÇÃO DE CÓDIGO DE PAÍS PRODUTOR EM BAIXO RELEVO,  
MANUFACTURER COUNTRY CODE MARKING IN LOW RELIEF

LOOSE PIECE	TIN PLATED	2	BRASS CuZn37	1	1599938-4
LOOSE PIECE	PLAIN		BRASS CuZn37	1	1599938-3
LOOSE PIECE	PLAIN		BRASS CuZn37	1	1599938-2
LOOSE PIECE	TIN PLATED <th>2</th> <th>BRASS CuZn37</th> <th>1</th> <th>1599938-1</th>	2	BRASS CuZn37	1	1599938-1
SUPPLIED	FINISH	MATERIAL	PART NUMBER		


PERSPECTIVE VIEW  
SCALE 1:1

WIRE RANGE	INSUL. RANGE	THIS DRAWING IS A CONTROLLED DOCUMENT.		DWN		M.T.ONISHI		27JUL2006		CHK		P.L.FARIA		27JUL2006		APVD		D.OLIVEIRA		27JUL2006		NAME		STE		TE Connectivity							
25 mm <sup>2</sup>	Ø 10,4 MAX			PRODUCT SPEC		108-37017		APPLICATION SPEC		114-2084		WEIGHT		8,25 g		SIZE		A3		CAGE CODE		-		DRAWING NO		C-1599938		RESTRICTED TO		-			
DIMENSIONS: MM		TOLERANCES UNLESS OTHERWISE SPECIFIED:		0 PLC ±-		1 PLC ±0.3		2 PLC ±-		3 PLC ±-		4 PLC ±-		ANGLES ±°		FINISH		SEE TABLE		CUSTOMER DRAWING		SCALE		1:1		SHEET		1 OF 2		REV		DI	

1470-19 (3/11)

4

3

2

1

THIS DRAWING IS UNPUBLISHED.

RELEASED FOR PUBLICATION

20

© COPYRIGHT 20

ALL RIGHTS RESERVED.

LOC  
APDIST  
-

REVISIONS

P	LTR	DESCRIPTION	DATE	DWN	APVD
	-	SEE SHEET 1	-	-	-

15,2

30,4

$90^\circ \pm 3^\circ$

5,0

26,5 REF.

PERSPECTIVE VIEW  
SCALE 1:1

8,0

1599938-3  
1599938-4DEMAIS DIMENSÕES VER FOLHA 1 DE 1  
OTHERS DIMENSIONS SEE SHEET 1 OF 1

THIS DRAWING IS A CONTROLLED DOCUMENT.

DWN  
M.T.ONISHI 27JUL2006CHK  
P.L.FARIA 27JUL2006APVD  
D.OLIVEIRA 27JUL2006

PRODUCT SPEC

108-37017

APPLICATION SPEC

114-2084

WEIGHT

8,25 g

NAME  
TERMINAL RING TONGUE M6

SIZE CAGE CODE DRAWING NO RESTRICTED TO

A3 - C-1599938 -

CUSTOMER DRAWING SCALE 2:1 SHEET 2 OF 2 REV DI

DIMENSIONS:  
MMTOLERANCES UNLESS  
OTHERWISE SPECIFIED:

0 PLC	±-
1 PLC	±0.3
2 PLC	±-
3 PLC	±-
4 PLC	±-
ANGLES	±1°

MATERIAL SEE TABLE

FINISH SEE TABLE

**ProENGINEER**  
WILDFIRE 4.0  
**DO NOT REVISE**  
**EXCEPT BY CAD**

1470-19 (3/11)