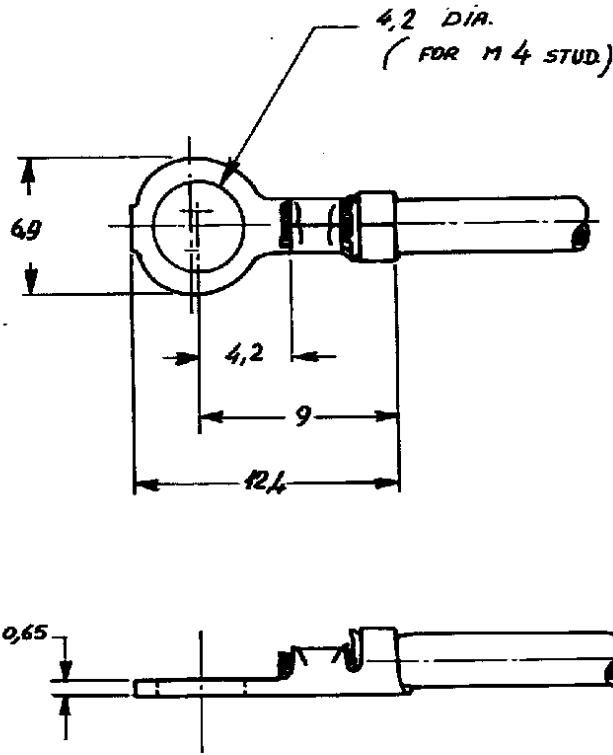


DRAWING MADE IN AMERICAN PROJECTION

△ REELED WITH INTERLEAVING PAPER : 785370-1

LTR	REVISION RECORD	DWN	CHK	DATE
C2	REVISED PER ECR-24-200596	SS	RE	20FEB2024

NUMBER C-160018-E



- NOTES:
- △ FOR USE ON STREAMLINE APPLICATOR AND MINORLINE APPLICATOR.
  - △ FOR USE ON MINORLINE APPLICATOR, AMP D. MATOR APPLICATION.
  - 3 OBSOLETE PARTS: OBSOLETE CIS STREAMLINING PER D.RENAUD/D.SINISI

DIMENSIONS IN M.M. DO NOT SCALE PRINT

1-160018-1	STEEL	NICKEL PL.	△
160018-3	BRASS	NICKEL PL.	△
160018-4	PHOS. BRONZE	TIN PLATED	△
160018-7	PHOS. BRONZE	UNPLATED	△
160018-6	BRASS	TIN PLATED	△
160018-5	BRASS	UNPLATED	△
160018-6	PHOS. BRONZE	TIN PLATED	△
△ 160018-3	PHOS. BRONZE	UNPLATED	△
△ 160018-2	BRASS	TIN PLATED	△
160018-1	BRASS	UNPLATED	△
ORDER NO.	MATERIAL	PLATING	
DR	DATE	DATE	
CHK	DATE	DATE	

OBSOLETE 3

DOC. CENTRE  
14 JUNI 1993

**CUSTOMER COPY FOR REFERENCE ONLY**

©1968 BY AMP-HOLLAND N.V. ALL RIGHTS RESERVED A-M-P PRODUCTS COVERED BY PATENTS AND/OR PATENTS PENDING.



WIRE RANGE	ROD RANGE	FIRST USED
0.50 - 1.43 mm	1/8" - 2.3 DIA	---
SCALE	LOC	SIZE
4:1	H	A

NO C-160018-E  
NAME RINGTONGUE FOR M4 STUD  
REV C2